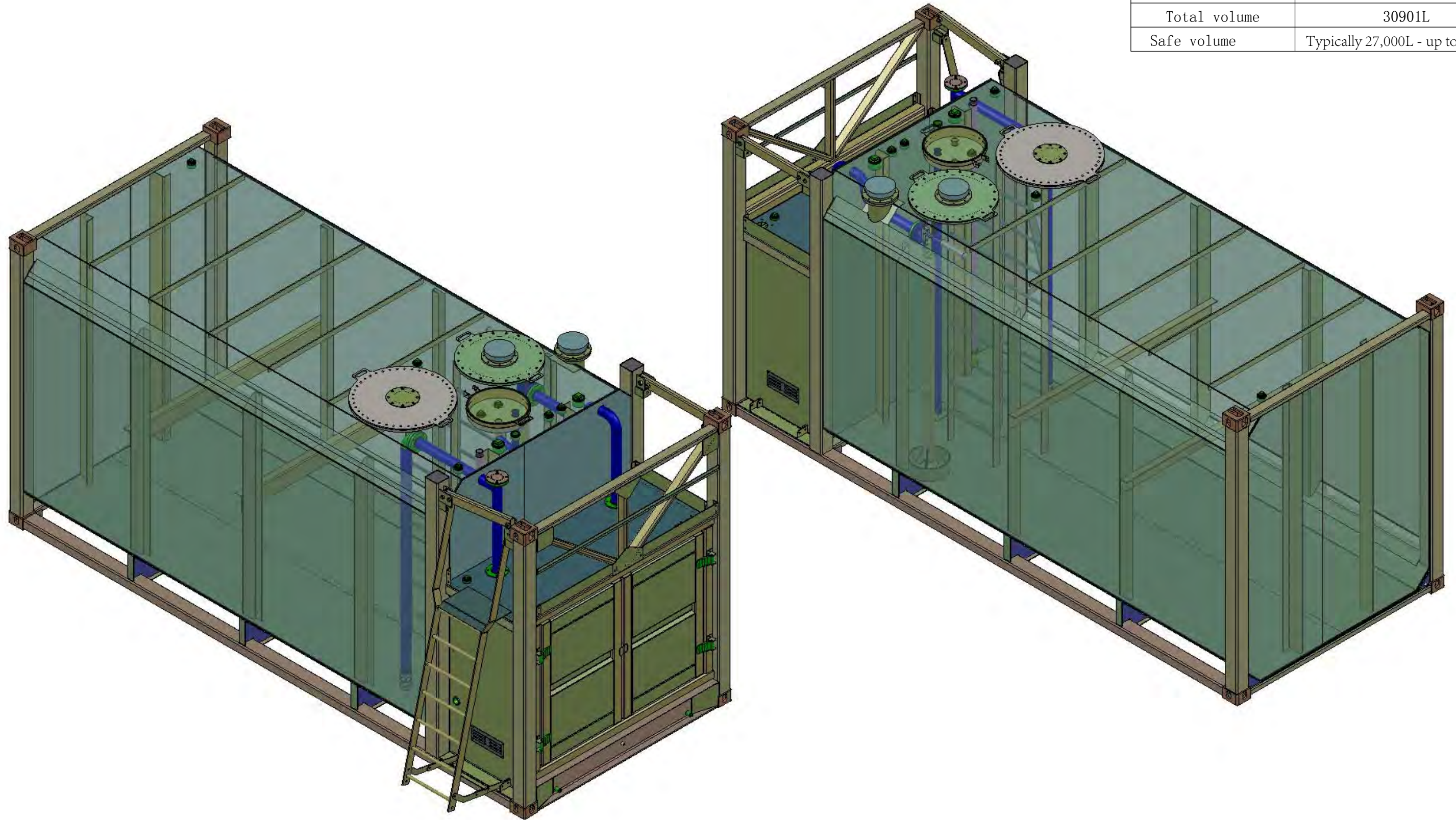


Tank	
Content	Diesel
External size (LWH)	6058x2438x2896mm
Internal size (LWH)	4972x2374x2690mm
Total volume	30901L
Safe volume	Typically 27,000L - up to 29350L



07					
06					
05					
04					
03					
02					
01					
REV:	DATE:	REVISION:	DRAWN:	CHECKED:	APPROVED:

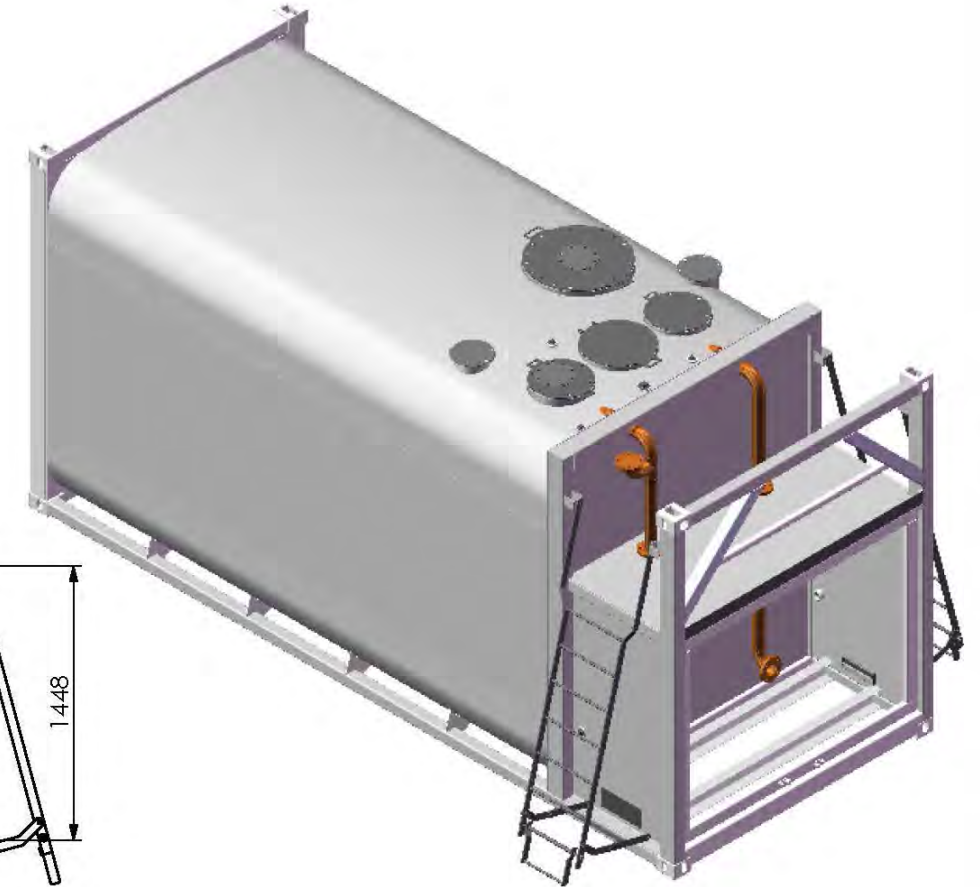
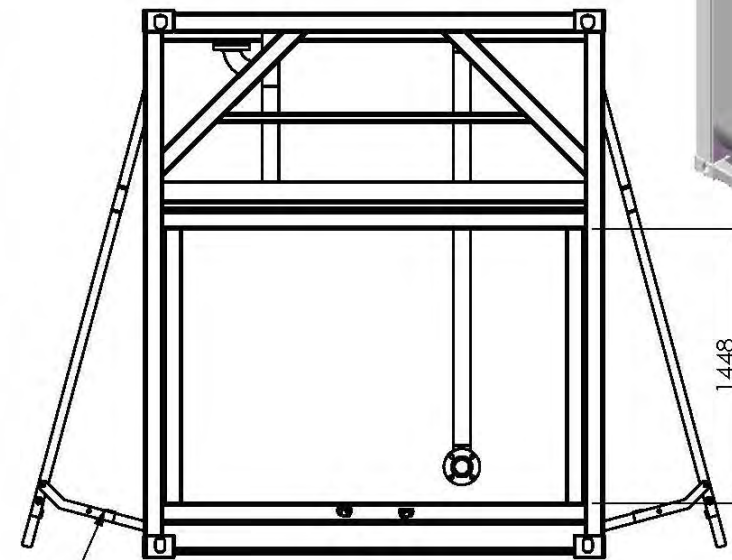
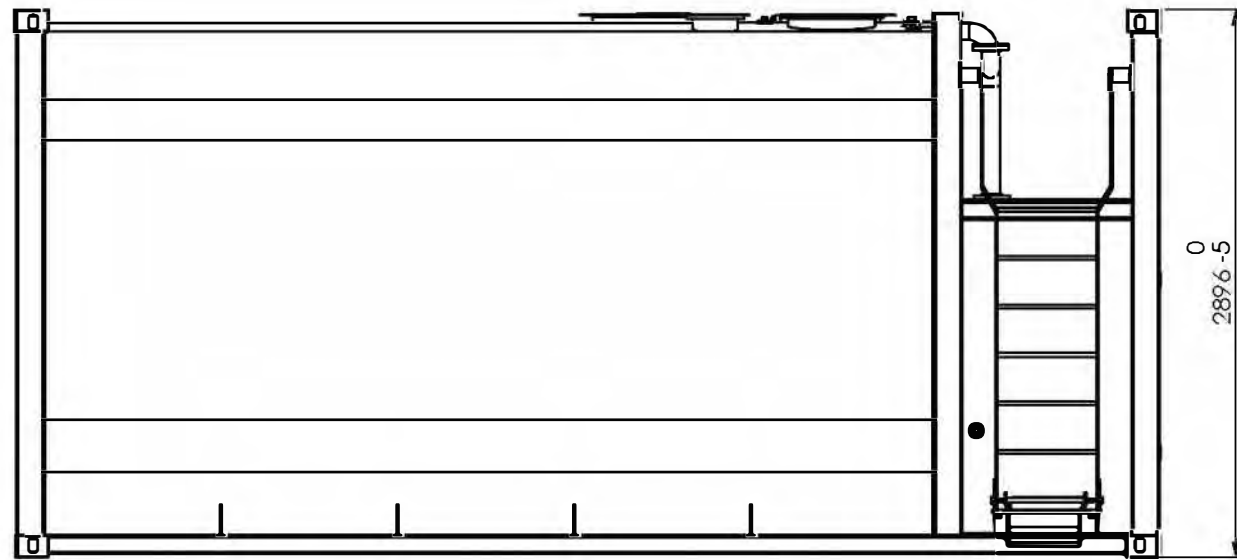
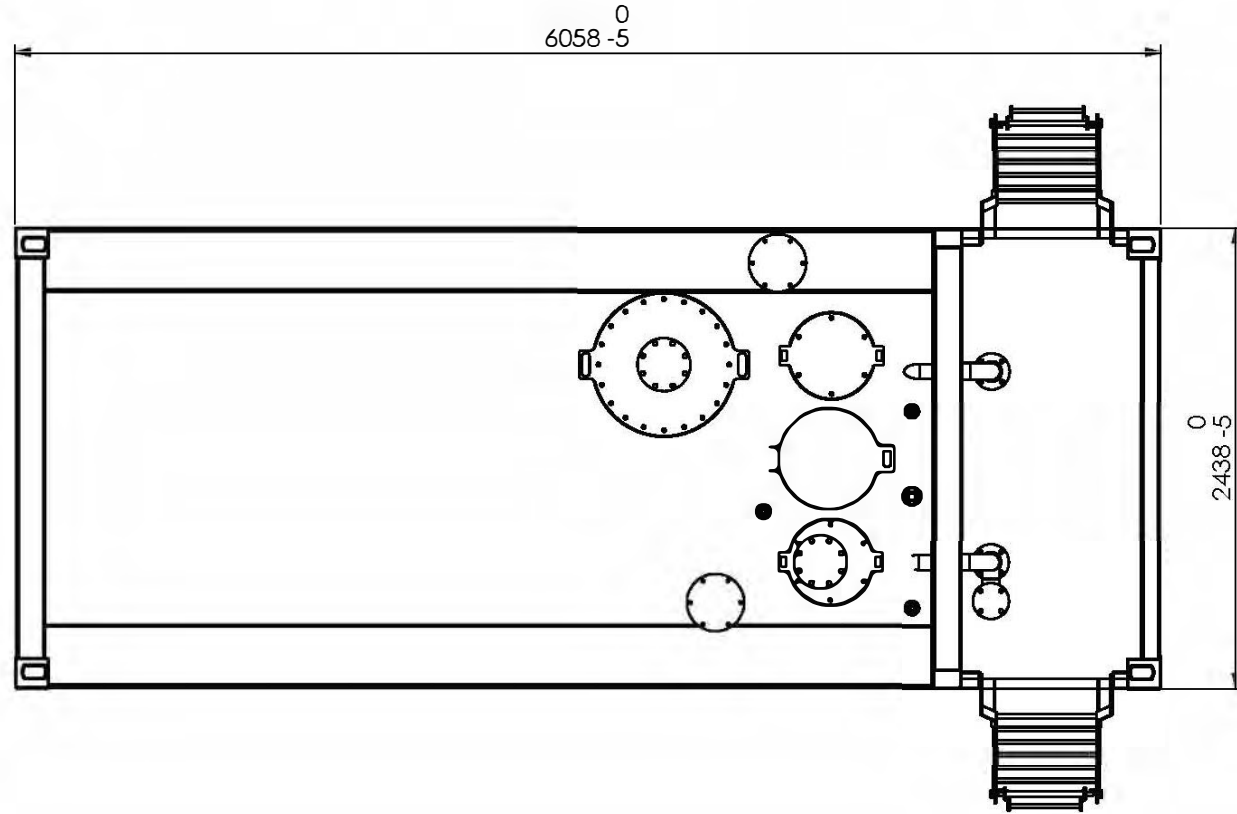


	DRAWN:	SAVING DATE:	TITLE:	
	CHECKED:	DATE:	CON-30 SELF BUNDED TANK	
	CLIENT:	DATE:	DRAWING NO. :	REV:
				A3
Material:		APPROVED:	DATE:	PURCHASE ORDER NO. :
Weight:	7568.96KG			Scale: No scale

DO NOT SCALE - IF IN DOUBT ASK

TANK DATA

TANK CONTENTS:	DIESEL / ULP WITH FLAMMABLE KIT
DESIGNED TO:	AS1940 / AS1692 / UL142
BUILT TO:	AS1692,CAT.3 / UL142
TESTED TO:	UL142
TEST PRESSURE:	21 kPa
CORROSION ALLOW.	0mm
GROSS VOLUME:	30,901 L
SAFE FILL LEVEL	up to 29350L
N.D.T.	REFER FABRICATION & ASSEMBLY PLAN
TOTAL MASS:	6472 kg

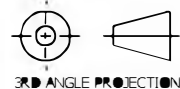


1 x AS1657 ACCESS LADDER SUPPLIED, REVERSABLE, BOTH SIDES SHOWN  
HAND RAIL INSERT PROVIDED FOR OTHER SIDE

LOCKABLE DOORS NOT SHOWN FOR CLARITY

Rev. No.	ZONE	Revision	Date	By	Checked
C	-	INFORMATION	02.11.15	ND	
B	-	INFORMATION	23.10.15	ND	
A	-	ISSUED FOR REVIEW	20.10.15	KG	

DO NOT SCALE  
DIMENSIONS ARE IN MILLIMETRES  
UNLESS OTHERWISE NOTED



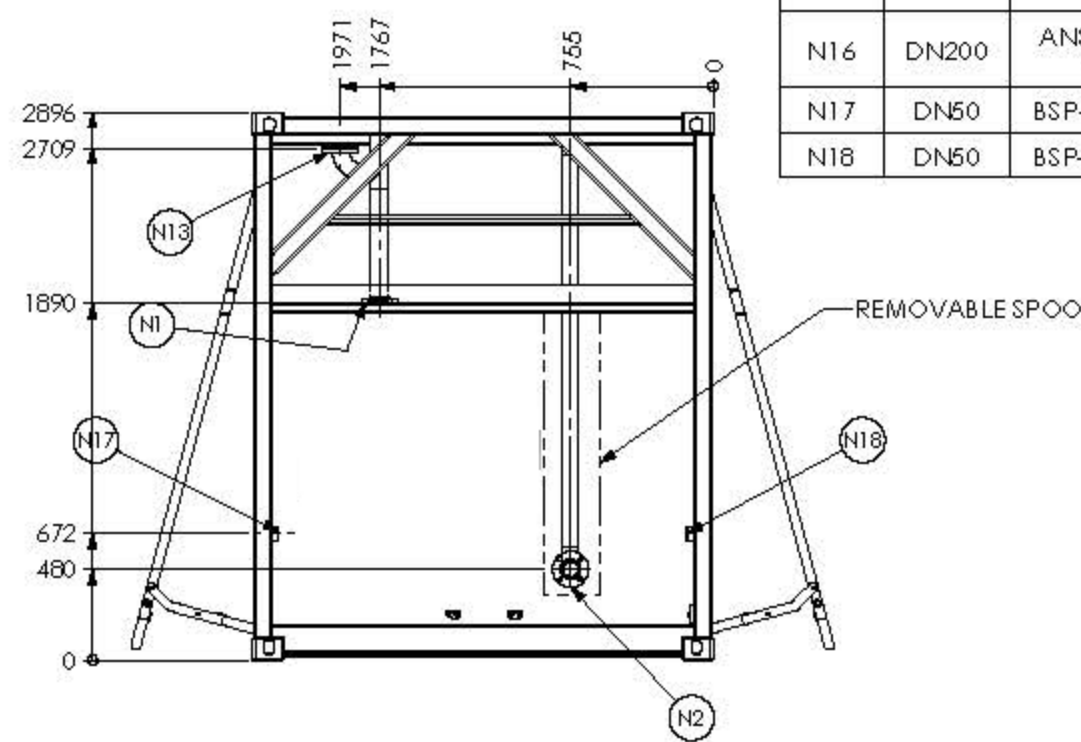
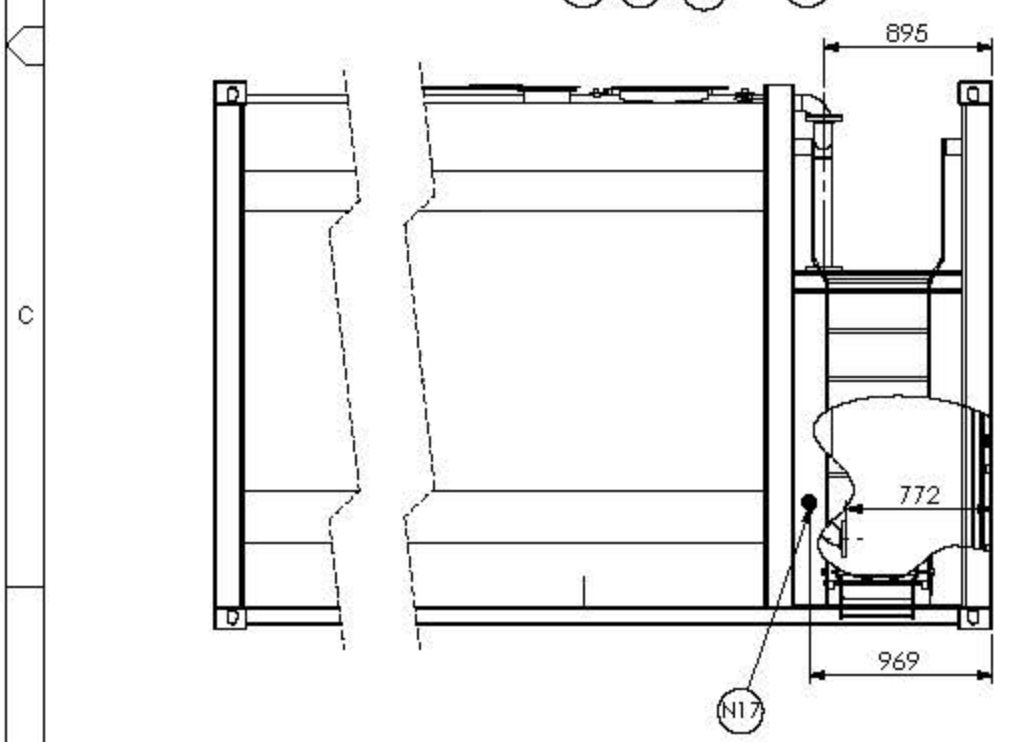
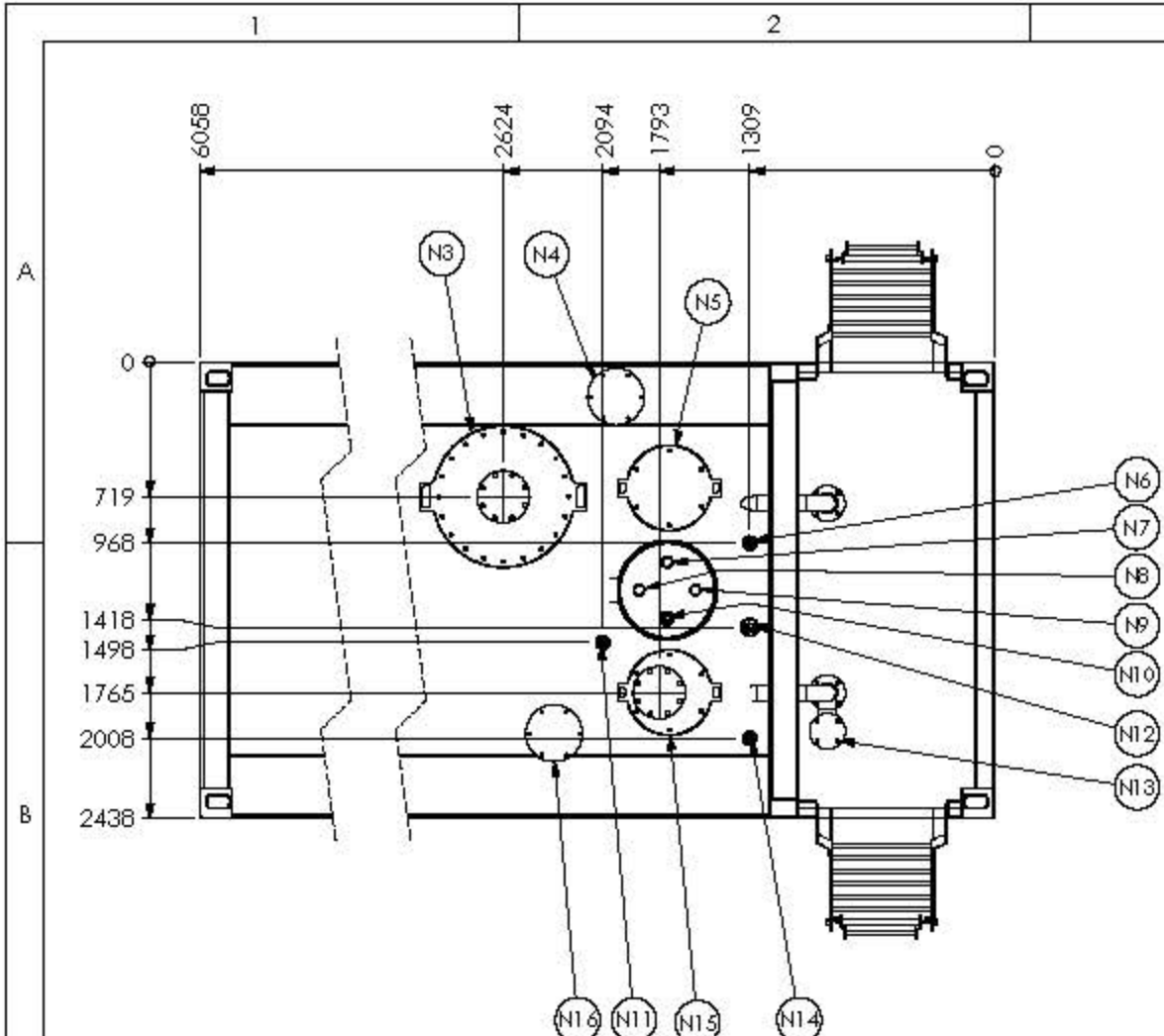
THIS DRAWING, INCLUDING INFORMATION SHOWN THEREIN IS  
**CONFIDENTIAL**  
It is loaned to a supplier for exclusive use by the supplier reproduction, exhibition, or use for any other purpose, or by any other person is not authorised. In the interests of development we reserve the right to modify, design equipment and accessories. dimensional, weight and performance data is to be understood as within appropriate tolerances.



Client:  
Title:  
CON-30 30,000L Self Bunded Tank

Drawn	KG	Checked	
Date:		Approved	
Drawing Number:			
Sheet No: 1 of 2			
Scale:	NTS	Rev:	C
		A3	

DO NOT SCALE - IF IN DOUBT ASK

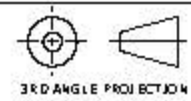


NOZZLE NO.	SIZE	CONNECTION TYPE	DESCRIPTION
N1	DN80	ANSI CLASS 150 FLANGE	SUCTION C/W DN80 PIPE 110mm FROM FLOOR & ANTI-SYPHON VALVE
N2	DN80	ANSI CLASS 150 FLANGE	FILL PIPE C/W DN80 PIPE W/ ELBOW 44mm FROM FLOOR & OVERFILL PROTECTION VALVE AND SPOOL
N3	600	MANWAY	600mm MANWAY C/W DN150 ANSI CLASS 150 FLANGE FOR SUB PUMP
N4	DN200	ANSI CLASS 150 FLANGE	INTERSTITIAL SPACE EMERGENCY VENT
N5	350	HATCH	350mm INSPECTION HATCH
N6	DN50	BSP-F x 50 LONG	OVERFILL WARNING ALARM
N7	DN50	BSP-M x 35 LONG	PRIMARY TANK DIP C/W DN50 PIPE 25mm HIGH OPENING FROM DIP STRIKE
N8	DN50	BSP-M x 35 LONG	INTERSTITIAL SPACE DIP C/W DN50 PIPE THROUGH INTERNAL FLOOR
N9	DN50	BSP-M x 35 LONG	SUCTION SPEAR, DN50 PIPE 3mm FROM MAIN FLOOR INTO DISHED SUMP C/W THREADED CAP
N10	DN50	BSP-F x 50 LONG	SPARE
N11	DN50	BSP-F x 50 LONG	SPARE / GAUGE / VENT
N12	DN80	BSP-F x 75 LONG	SPARE / GAUGE / VENT
N13	DN80	ANSI CLASS 150 FLANGE	SUCTION PRIMING PORT / SUBMERSIBLE PUMP CONNECTION
N14	DN50	BSP-F x 50 LONG	SPARE / GAUGE
N15	350	HATCH	350mm INSPECTION HATCH C/W DN150 ANSI CLASS 150 FLANGE FOR SUB PUMP
N16	DN200	ANSI CLASS 150 FLANGE	PRIMARY TANK EMERGENCY VENT
N17	DN50	BSP-F x 50 LONG	SPARE (INTO PUMP BAY) / EXTERNAL ELECTRICALS
N18	DN50	BSP-F x 50 LONG	SPARE (INTO PUMP BAY) / EXTERNAL ELECTRICALS

BSP-F: BSP FEMALE THREAD  
BSP-M: BSP MALE THREAD

Rev. No.	ZONE	Revision	Date	By	Checked
C	-	INFORMATION	02.11.15	ND	
B	-	INFORMATION	23.10.15	ND	
A	-	ISSUED FOR REVIEW	20.10.15	GS	

DO NOT SCALE  
DIMENSIONS ARE IN MILLIMETRES  
UNLESS OTHERWISE NOTED



Client:  
Title:  
GO 30,000L Self Bunded Tank

Drawn	KG	Checked	
Date:	26.10.15	Approved	
Drawing number:			
Sheet No: 2 of 2			
Scale:	NTS	Rev:	C
		A3	