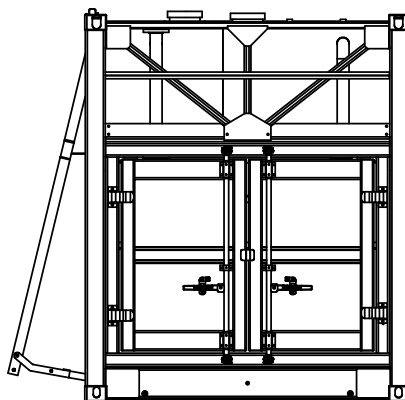
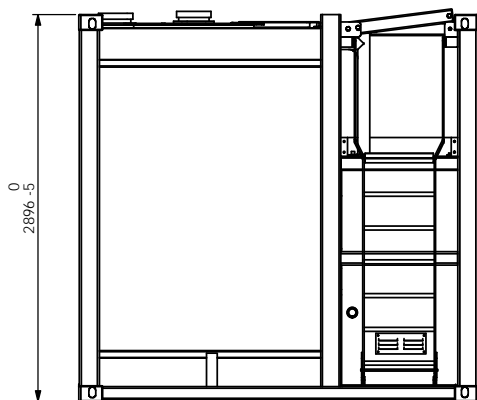
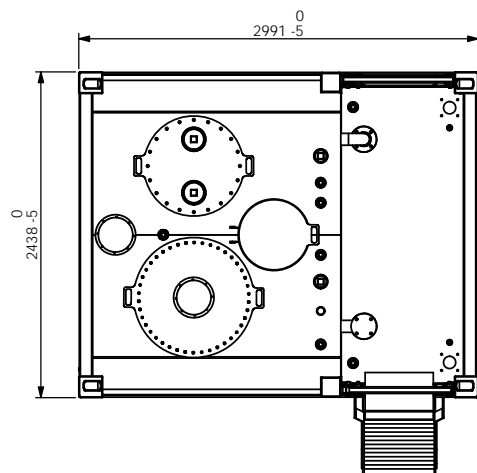


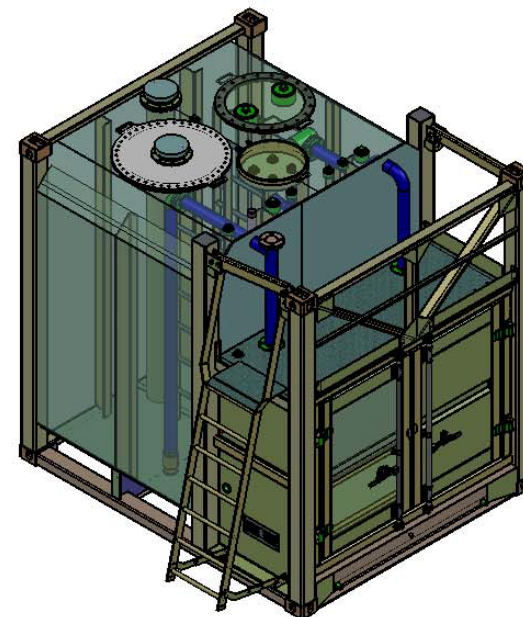
DO NOT SCALE FROM DRAWING. IF IN DOUBT: ASK

UNLESS OTHERWISE SPECIFIED, ALL DIMENSIONS ARE IN MILLIMETRES

BEWARE OF 100mm MEASURING ERROR



TANK DATA	
TANK CONTENTS:	DIESEL
DESIGNED TO:	UL142,ULC S601
BUILT TO:	UL142,ULC S601
PLATE THICKNESS:	6mm
GROSS VOLUME:	12,000L
HYD.TEST PRESSURE:	Gross level+150mm
SAFE FILL LEVEL:	10,100L
N.D.T.	PASS
TOTAL MASS:	4,944KG



THIRD ANGLE PROJECTION			DWG NO. / PART NO. <b>10'HC</b>	JOB NO. <b>CON-12</b>
			CLIENT:	
			TITLE:	SHEET SIZE <b>A3</b>
NAME	DATE	TOLERANCE U.N.O.	MATERIAL	REVISION
DRAWN	2016/8/29	0 = -1.0		
CHK'D		0.0 = -0.4		
APP'VD		0.00 = -0.1	WEIGHT: 4943.94 Kg	
			SCALE: N.T.S.	SHEET 1 OF 1