



FUEL MANAGEMENT
SYSTEMS



DISPENSERS



KITS



PUMPS



METERS



NOZZLES

CLEAR CAPTOR



FEATURES

- REPLACEABLE CARTRIDGE
- HIGH EFFICIENCY
- SMALL SIZE

The PIUSI CLEAR CAPTOR is a range of cartridge filters that can be applied both on suction or delivery flow directions. They are equipped with a high-performance cartridge and a plastic container to collect all eventual impurities or water particles that may be present in the fluid. Thanks to the valve at the bottom of the container, it is possible to remove contaminations quickly and safely to ensure the maximum possible filter life.

PERFORMANCE

UP TO
150 L/MIN

FLOW RATE

5 BAR
MAX

OPERATING PRESSURE

2β/5μ

FILTERING CAPACITY



PACKAGING

CODE	WEIGHT	PACKAGING		
	KG	DIMENSIONS MM	CARTRIDGE PSC / BOX	FILTER HEAD PCS/BOX
CLEAR CAPTOR				
FO0611B00	2,3	390X285X140	2	1
FO0611B10	2,0	390X285X140	2	1
FO0611B60	2,3	390X285X140	1	1
CLEAR CAPTOR CARTRIDGE				
FO0611O30	1,9	190X190X240	6	-
FO0611O40	1,2	190X190X240	6	-
FO0611O60	0,2	190X190X240	1	1
CLEAR CAPTOR FILTER HEAD				
FI5744000	1,0	200X120X240	-	1



FILTRATION



TANK MONITORING



HOSE REEL



ACCESSORIES



MERCHANDISE

PIUSI[®]



AIR



ANTIFREEZE



AdBlue[®]



BIODIESEL



DIESEL



FOOD



GASOLINE



GREASE



KEROSENE



OIL



WATER



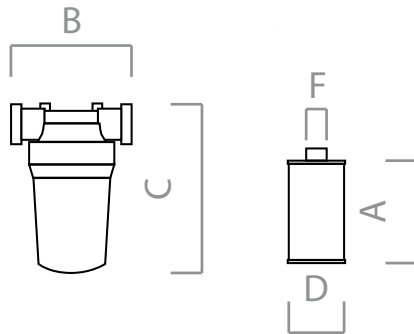
WINDSCREEN

PRODUCTS



DIMENSIONS

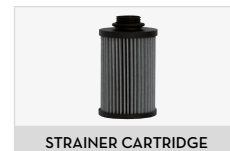
CODE	A (MM)	B (MM)	C (MM)	D (MM)	F
FOO611B00	-	171	270	-	-
FOO611B10	-	171	270	-	-
FOO611B60	-	171	270	-	-
FOO611O30	110	-	-	75	1" BSP M
FOO611O40	155	-	-	75	1" BSP M
FOO611O60	110	-	-	75	1" BSP M
F15744O00	-	171	-	-	1" BSP F



IN THE BOX

- FILTER CARTRIDGE
- METALLIC HEAD
- ADDITIONAL CARTRIDGE
- INSTRUCTION MANUAL

DETAILS



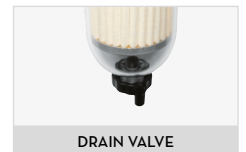
STRAINER CARTRIDGE



IMPURITIES PAPER CARTRIDGE



WATER PAPER CARTRIDGE



DRAIN VALVE

MATERIALS

- FILTER: ABSORBENT FILTERING PAPER



TECHNICAL DATA

CODE	DESCRIPTION	FLUIDS TYPE	FLOW RATE		INLET / OUTLET BSP	WATER ABSORBING	EFFICIENCY β	MICRO μ m	PRESSURE BAR
			L/MIN	GPM					
CLEAR CAPTOR									
FOO611B00	CLEAR CAPTOR FILTER	B D G	100	26,4	1"	NO	2	5	5
FOO611B10	CLEAR CAPTOR WATER FILTER	B D G	70	18,5	1"	YES	200	30	5
FOO611B60	CLEAR CAPTOR STRAINER	B D G	100	26,4	1"	NO	2	125	5
CLEAR CAPTOR CARTRIDGE									
FOO611O30	CLEAR CAPTOR CARTRIDGE	B D G	100	26,4	-	NO	2	5	-
FOO611O40	CLEAR CAPTOR WATER FILTER CARTRIDGE	B D G	70	18,5	-	YES	200	30	-
FOO611O60	CLEAR CAPTOR STRAINER CARTRIDGE	B D G	100	26,4	-	NO	2	125	-
CLEAR CAPTOR FILTER HEAD									
F15744O00	FILTER HEAD CLEAR CAPTOR	B D G	-	-	1"	NO	-	-	-

CLEAR CAPTOR

FILTERS

173