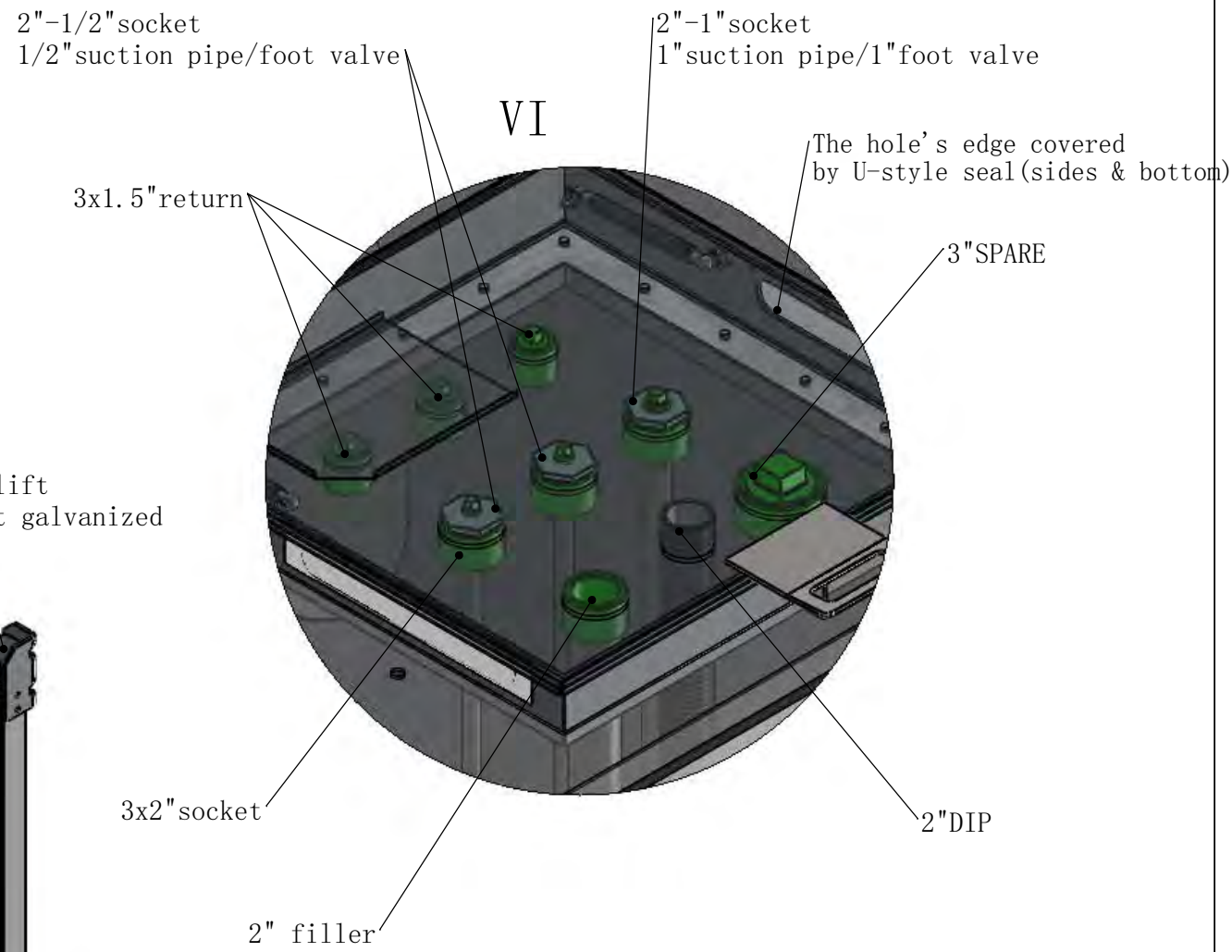
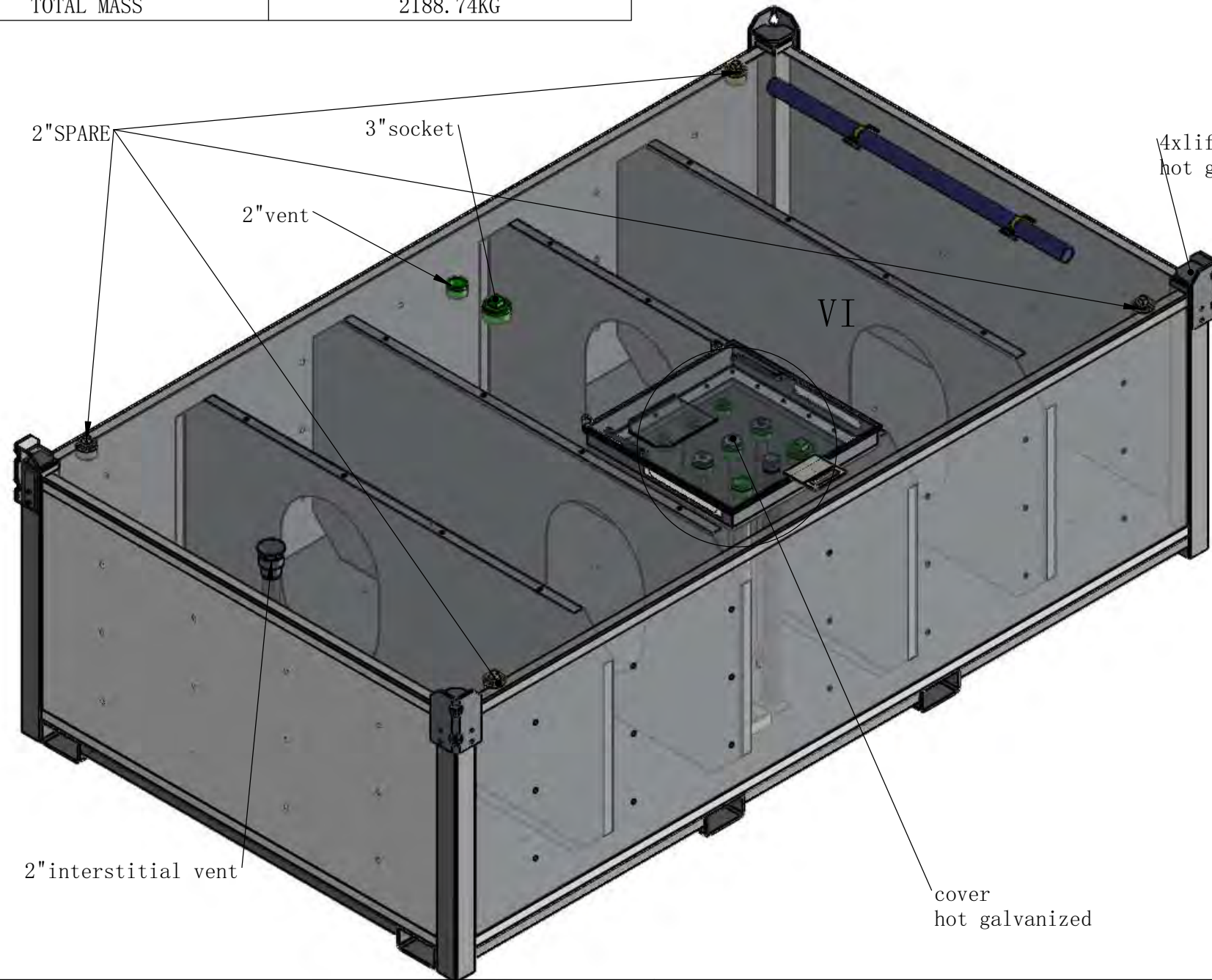


Tank	
TANK CONTENTS	
DESIGNED TO	AS1940 / AS1692
BUILT TO	AS1657 / AS1554.1
PLATE THICKNESS, Material	4/4 mm, Q235B
Pressue Test	35KPA
External size	3916x2294x1270mm
Internal size	3808x2186x1058mm
GROSS VOLUME	8800L
SAFE FILL LEVEL	8000L
N. D. T.	Require By Client
TOTAL MASS	2188.74KG



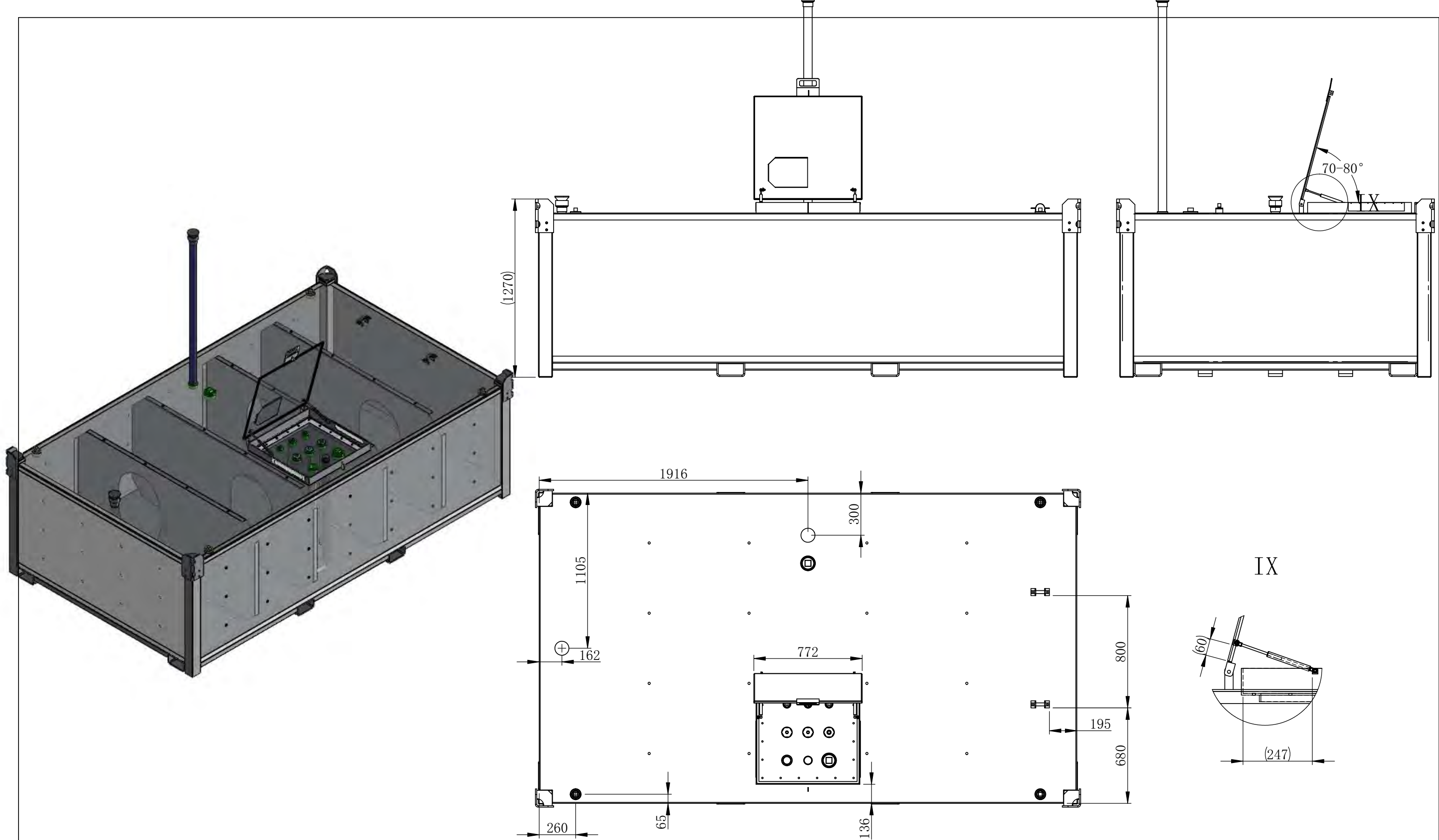
07					
06					
05					
04					
03					
02					
01					
REV:	DATE:	REVISION:	DRAWN:	CHECKED:	APPROVED:



Material:	
Weight:	2188.74KG

DRAWN:	DATE:
CHECKED:	DATE:
CLIENT:	DATE:
APPROVED:	DATE:

TITLE:	CEA BOX 8800L Self Bunded Tank	
DRAWING NO. :	REV:	A3
	01	
	SHEET:	
	1 of 4	
PURCHASE ORDER NO. :	Scale:	⊕ - ▢
	No scale	



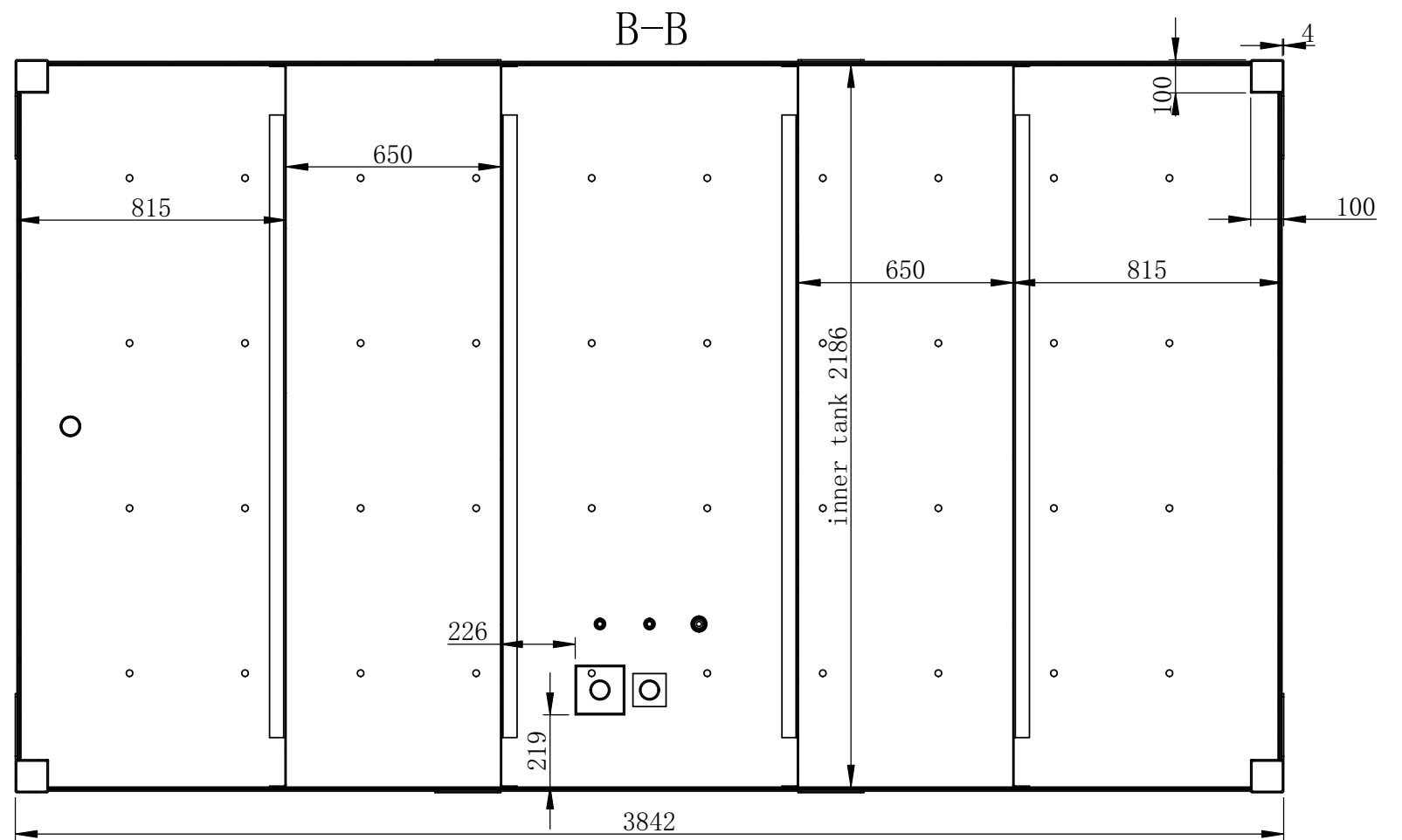
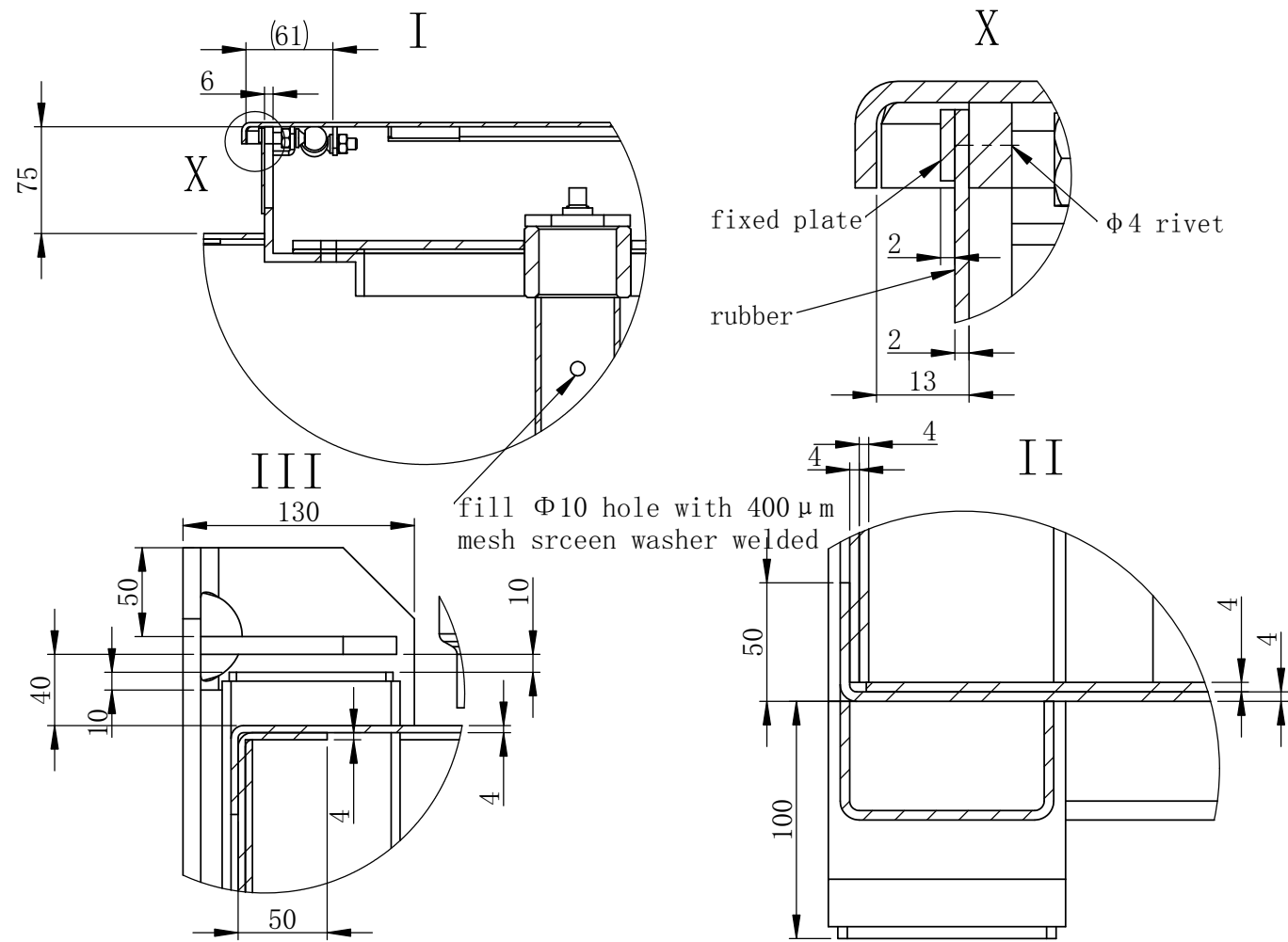
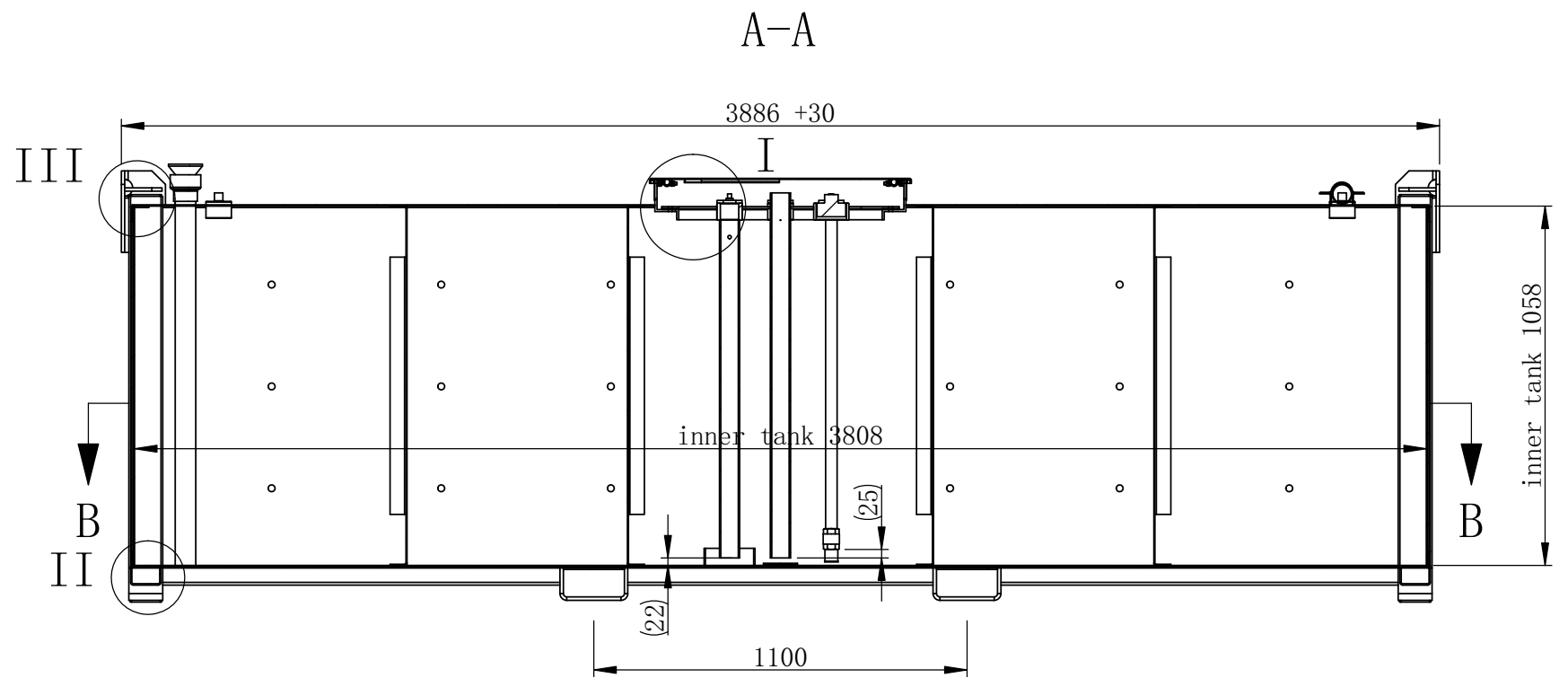
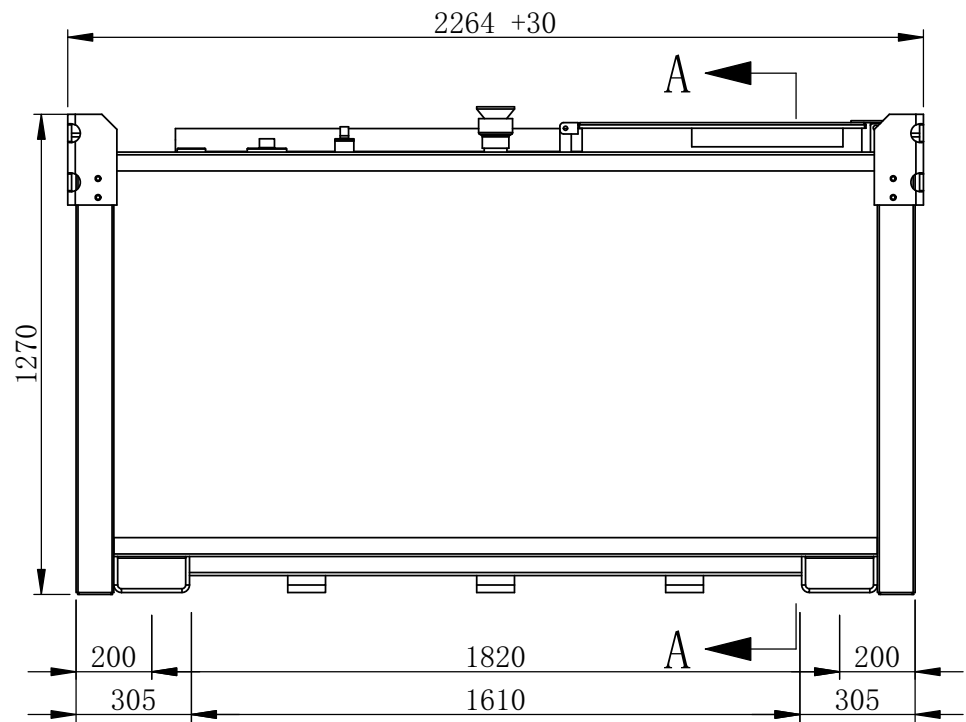
07					
06					
05					
04					
03					
02					
01					
REV:	DATE:	REVISION:	DRAWN:	CHECKED:	APPROVED:



Material:	
Weight:	2188.74KG

DRAWN:	DATE:
CHECKED:	DATE:
CLIENT:	DATE:
APPROVED:	DATE:

TITLE:		REV:	A3
CEA BOX 8800L Self Bunded Tank			
DRAWING NO. :		SHEET:	Scale:
PURCHASE ORDER NO. :		2 of 4	
		No scale	



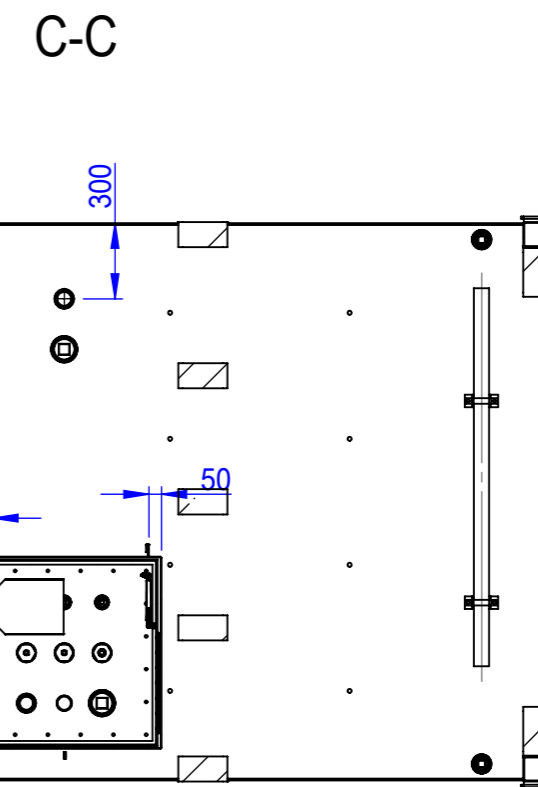
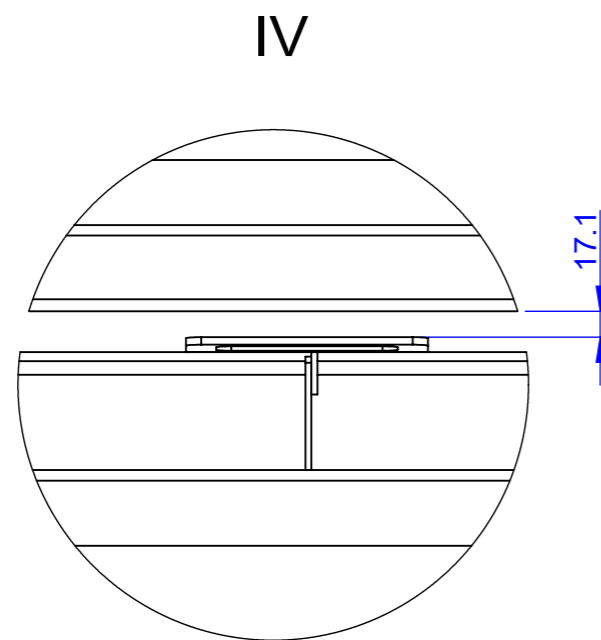
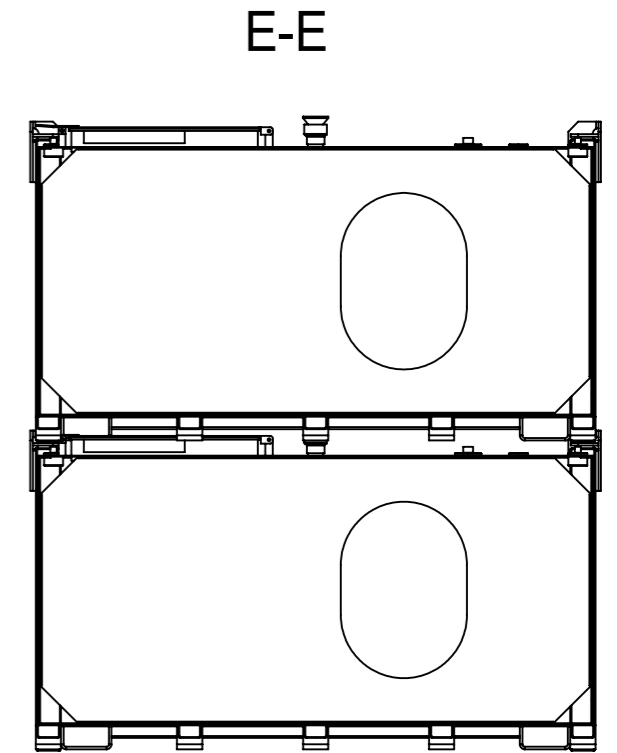
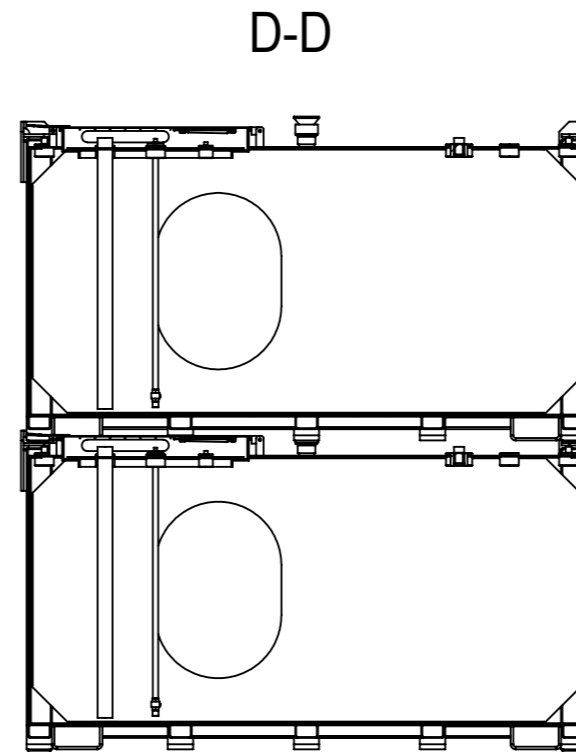
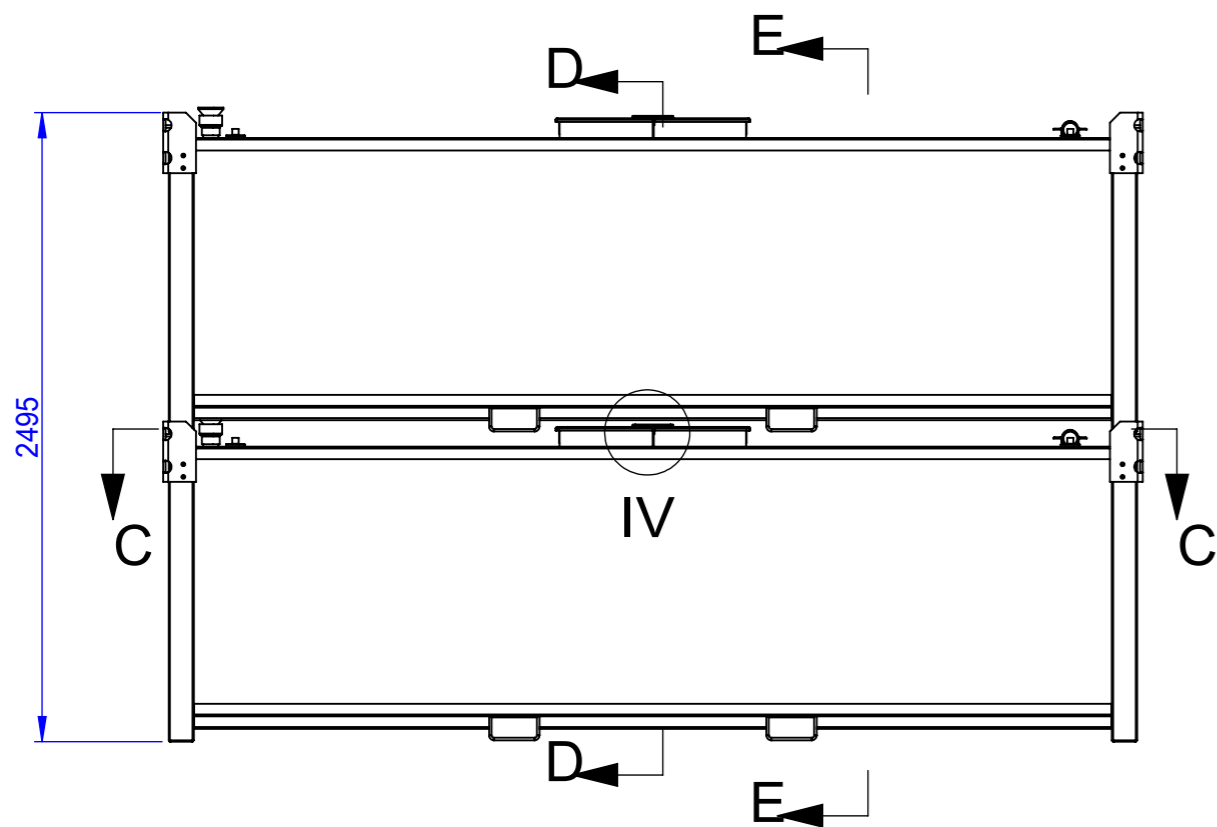
07					
06					
05					
04					
03					
02					
01					
REV:	DATE:	REVISION:	DRAWN:	CHECKED:	APPROVED:



Material:	
Weight:	2188.74KG

DRAWN:	DATE:
CHECKED:	DATE:
CLIENT:	DATE:
APPROVED:	DATE:

TITLE:		REV:	A3
CEA BOX 8800L Self Bunded Tank			
DRAWING NO. :		SHEET:	Scale:
		3 of 4	
PURCHASE ORDER NO. :		Scale: No scale	



07					
06					
05					
04					
03					
02					
01					
REV:	DATE:	REVISION:	DRAWN:	CHECKED:	APPROVED:



Material:	
Weight:	4373.92KG

DRAWN:	DATE:
CHECKED:	DATE:
CLIENT:	DATE:
APPROVED:	DATE:

TITLE:		REV: 01	A3
CEA BOX 8800L Self Bunded Tank			
DRAWING NO. :		SHEET: 4 of 4	Scale: No scale
PURCHASE ORDER NO. :			