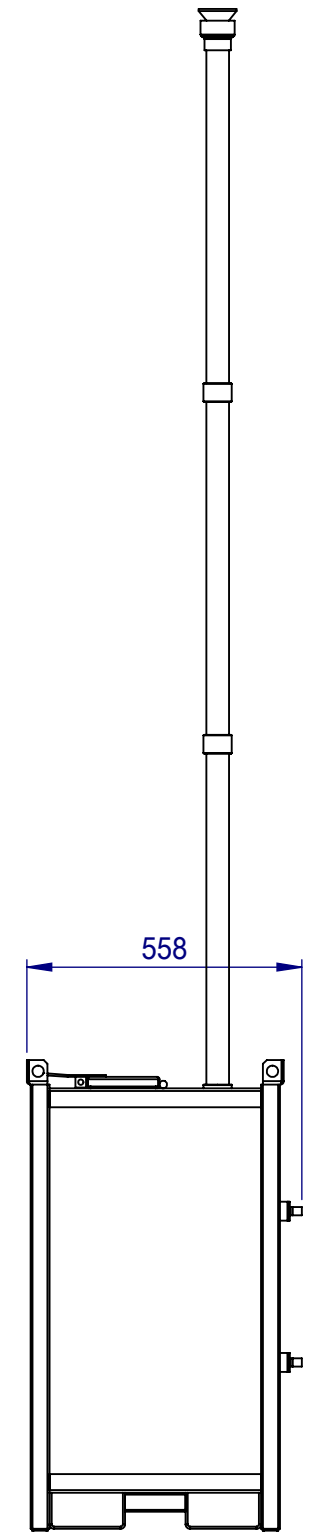
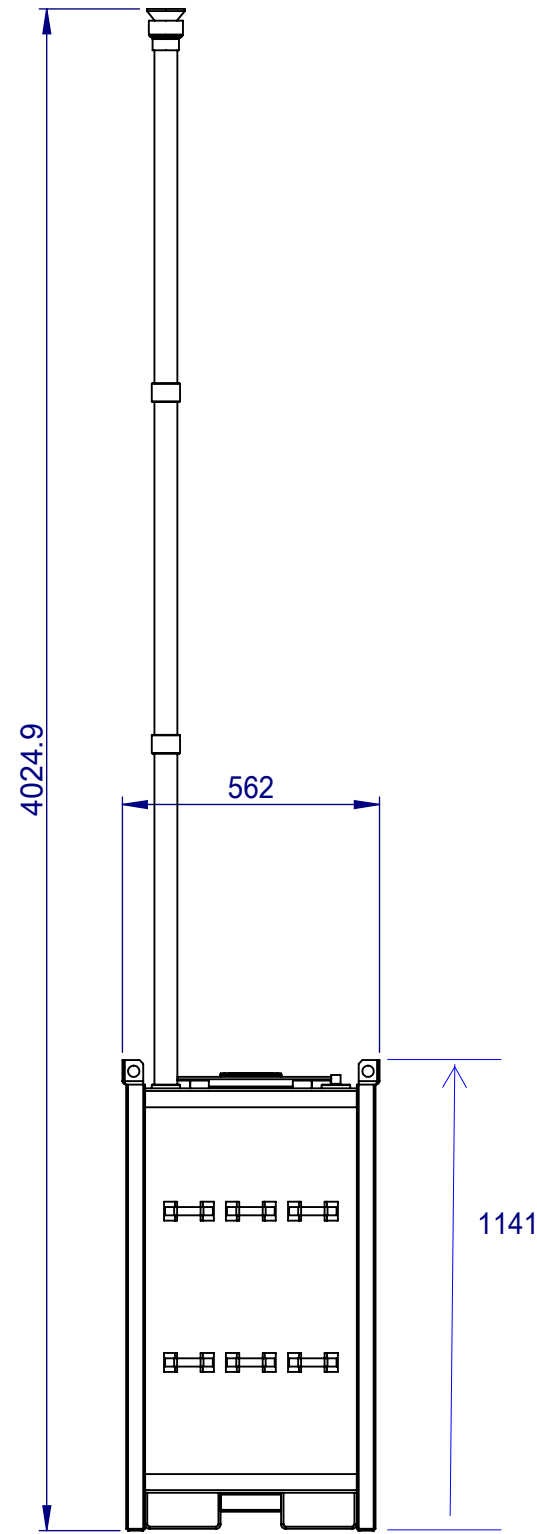
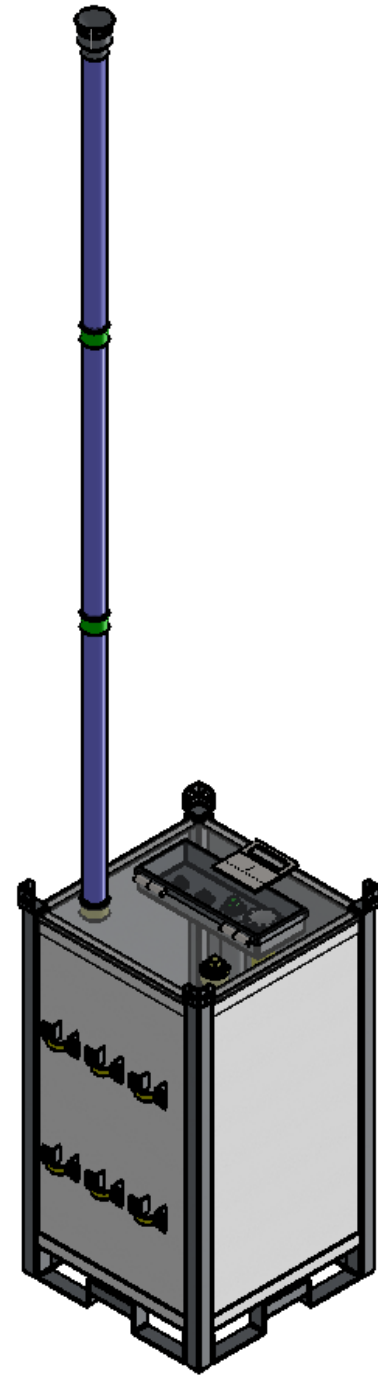


07					
06					
05					
04					
03					
02					
01					
REV:	DATE:	REVISION:	DRAWN:	CHECKED:	APPROVED:



	DRAWN:	DATE:	TITLE: CEAPET BOX 250L - SFL 240L	
	CHECKED:	DATE:	DRAWING NO. :	
	CLIENT:	DATE:		
	APPROVED:	DATE:	PURCHASE ORDER NO. :	REV: 01 SHEET: 1 of 4 Scale: No scale
Material:				A3
Weight:	265.46KG			



07					
06					
05					
04					
03					
02					
01					
REV:	DATE:	REVISION:	DRAWN:	CHECKED:	APPROVED:



Material:	
Weight:	265.46KG

DRAWN:	DATE:
CHECKED:	DATE:
CLIENT:	DATE:
APPROVED:	DATE:

TITLE: CEAPET BOX 250L - SFL 240L		REV: 01	A3
DRAWING NO. :			
PURCHASE ORDER NO. :		SHEET: 2 of 4	Scale: No scale