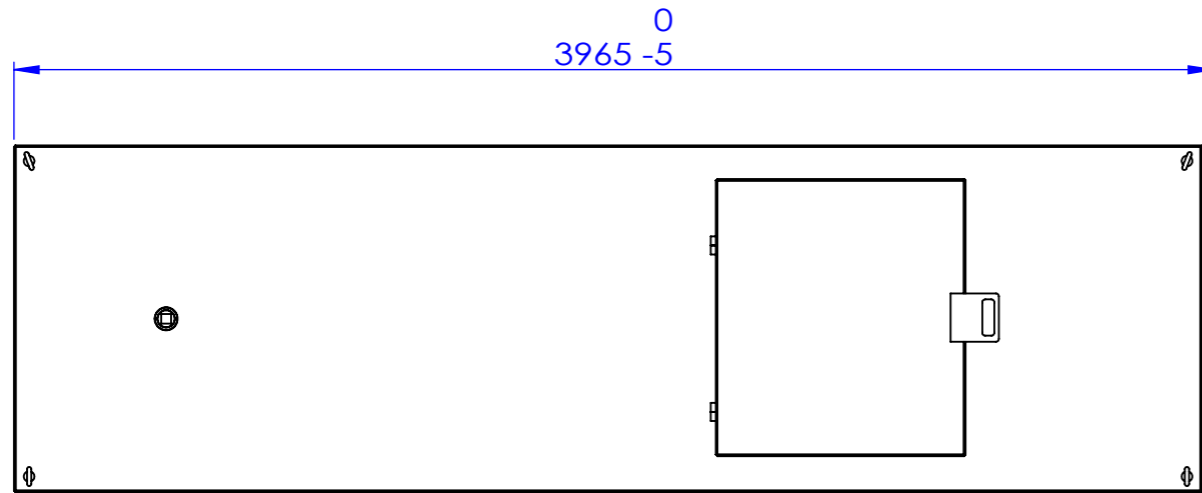


DO NOT SCALE FROM DRAWING. IF IN DOUBT: ASK

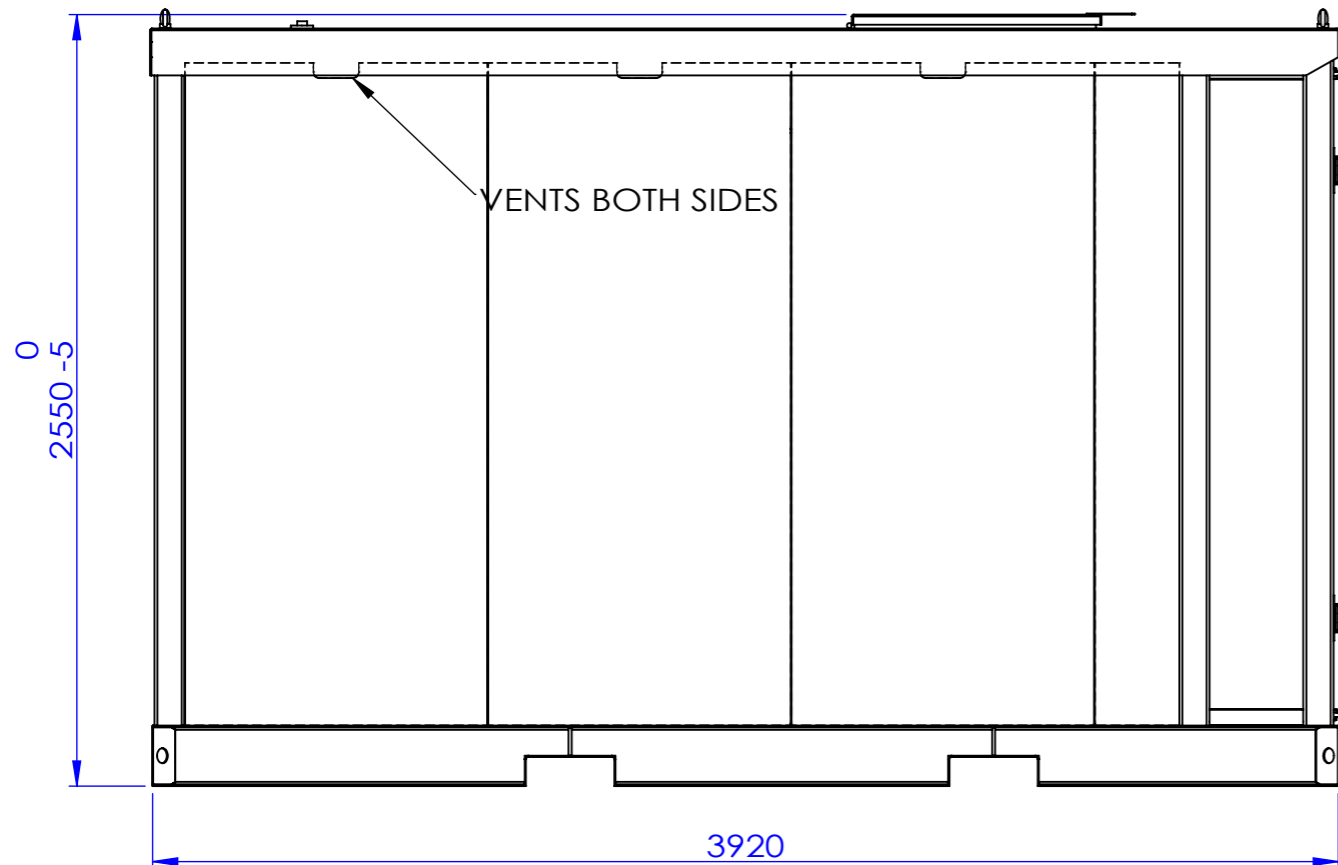
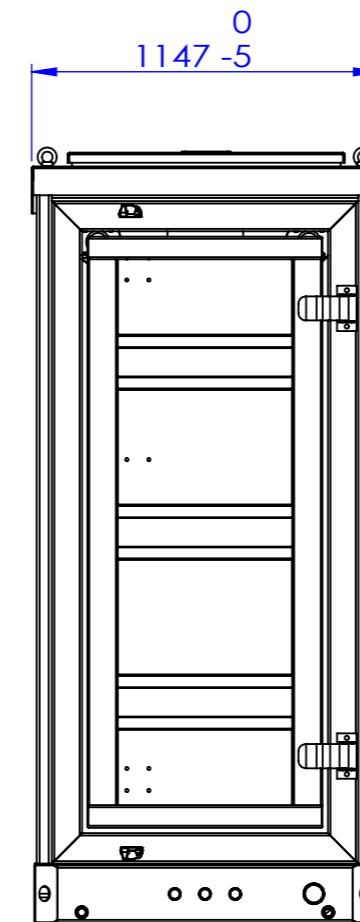
UNLESS OTHERWISE SPECIFIED, ALL DIMENSIONS ARE IN MILLIMETRES

BEWARE OF 100mm MEASURING ERROR

TANK DATA	
TANK CONTENTS:	AD-BLUE
DESIGNED TO:	AS1940
BUILT TO:	AS1692,CAT.3
INSULATION	3MM INSIDE/ 4MM OUTSIDE
GROSS VOLUME:	5780L
HYD.TEST PRESSURE:	Gross level+150mm
SAFE FILL LEVEL	5000L
N.D.T.	Refer Logitank'fabrication&assembly plan'
TOTAL MASS:	2300KG



External Tank Material : Q235
Adblue Tank Material : SS304



NOTES:

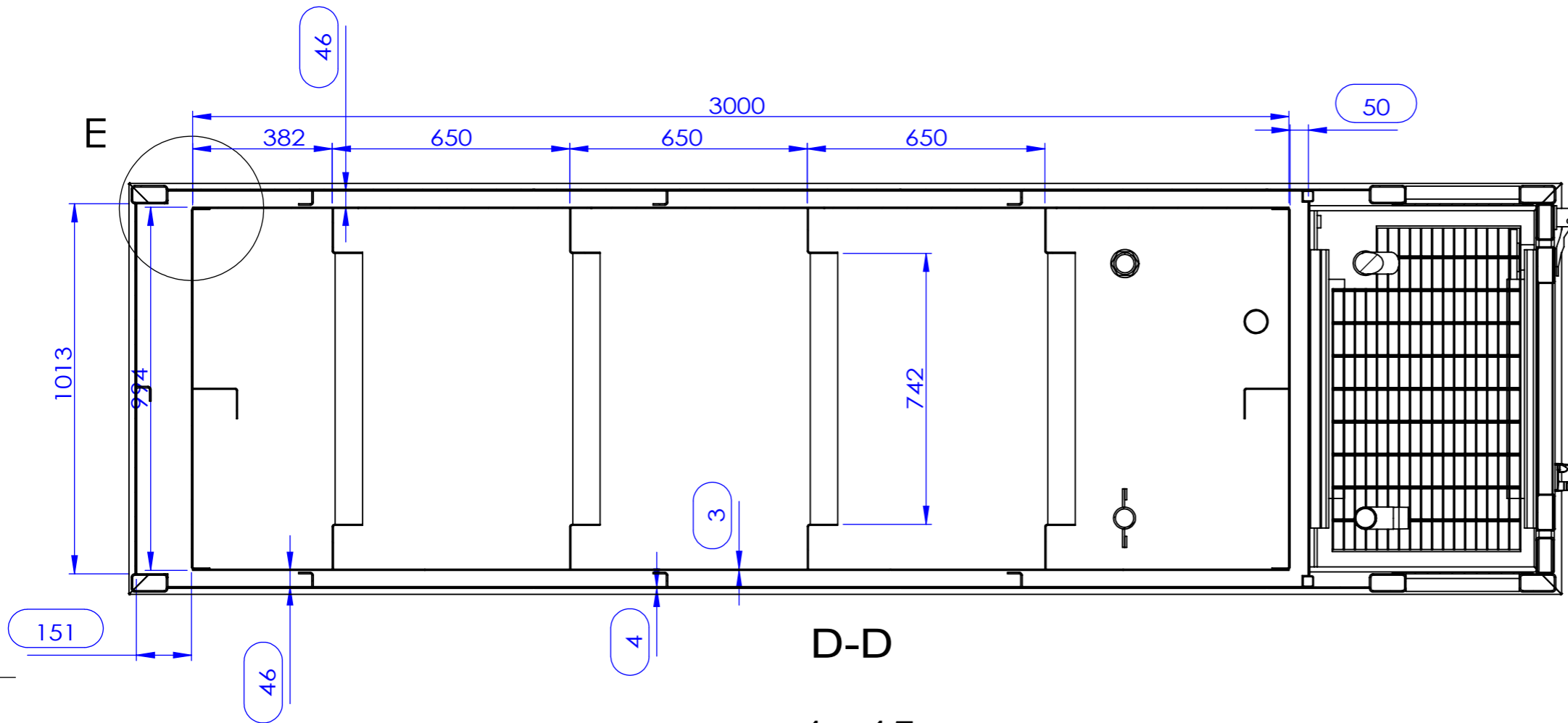
1. Tank shall be fabricated ,inspected and tested in accordance with AS1692.
2. Tank design compliant to AS1940.
3. All welding to AS1554.1 SP Quality. All unspecified welds shall be 6mm fillet weld unless notified otherwise.
4. After completion of inner tank, pneumatic testing at 15kpa shall be undertaken for 1hour and all joints soapy water tested for leaks.
5. For order of welding and assembly, please refer Logitank'fabrication&assembly plan'.
6. For weld symbol interpretation, refer to weld index: T-STD-Weld symbols

THIRD ANGLE PROJECTION			DWG NO. / PART NO. ADBLUE AB-5.5 5,500L	JOB NO. LB-5.
			LIQUIP:	
		TITLE:		SHEET SIZE A3
DRAWN S.Lowrie	DATE 2013/4/1	TOLERANCE U.N.O. 0 = +1.0 0.0 = +0.4 0.00 = +0.1	REVISION 03	
CHK'D		MATERIAL:	SCALE: N.T.S.	
APPV'D		WEIGHT: 2300 Kg	SHEET 1 OF 5	

DO NOT SCALE FROM DRAWING. IF IN DOUBT: ASK

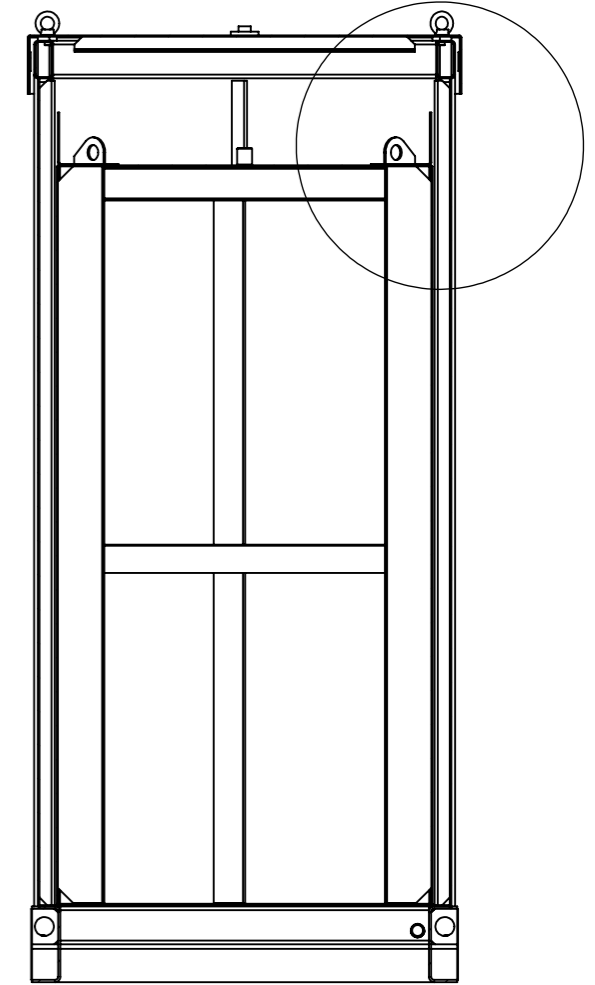
UNLESS OTHERWISE SPECIFIED, ALL DIMENSIONS ARE IN MILLIMETRES

BEWARE OF 100mm MEASURING ERROR



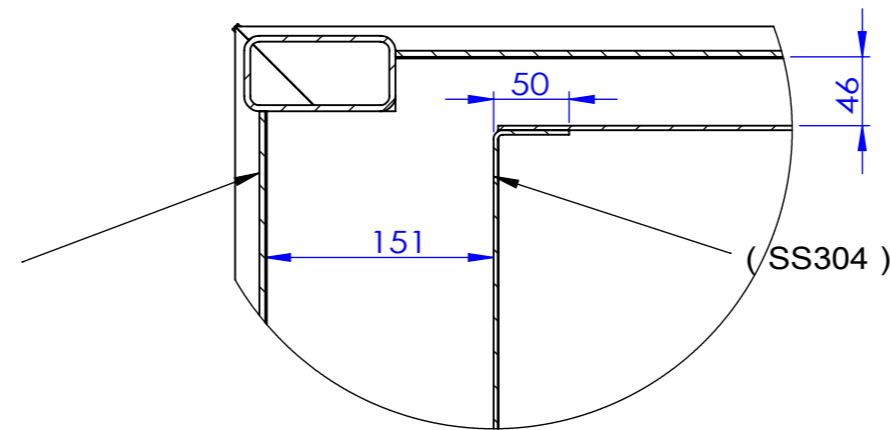
D-D

1 : 15

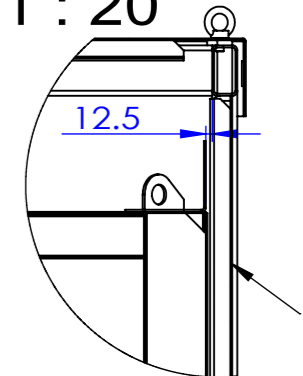


B-B

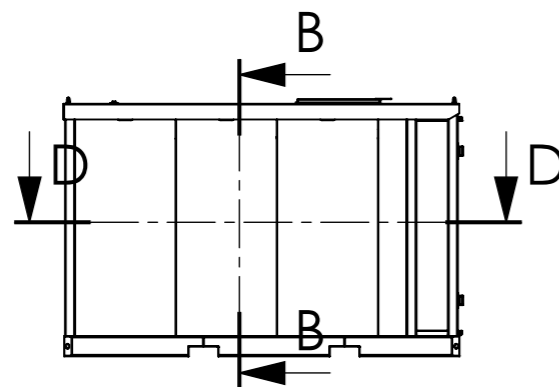
1 : 20



E
1 : 5



C
1 : 15



THIRD ANGLE PROJECTION			
NAME	DATE		
DRAWN S.Lowrie	2016/12/1	TOLERANCE U.N.O.	
CHK'D		0 = +1.0	
APP'V'D		0.0 = +0.4	
		0.00 = +0.1	
		WEIGHT: 2390.03 Kg	



DWG NO. / PART NO.
ADBLUE AB-5.5 5,500L

JOB NO.
LB-5.

LIQUIP:

TITLE:

SHEET SIZE
A3

REVISION
03

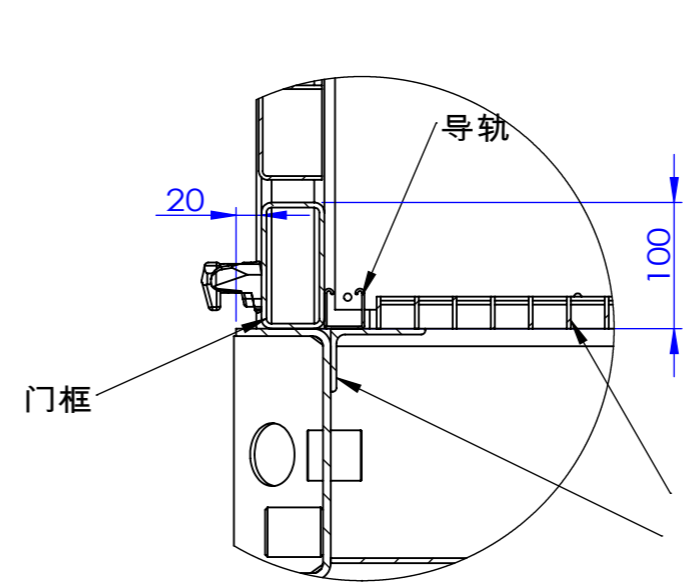
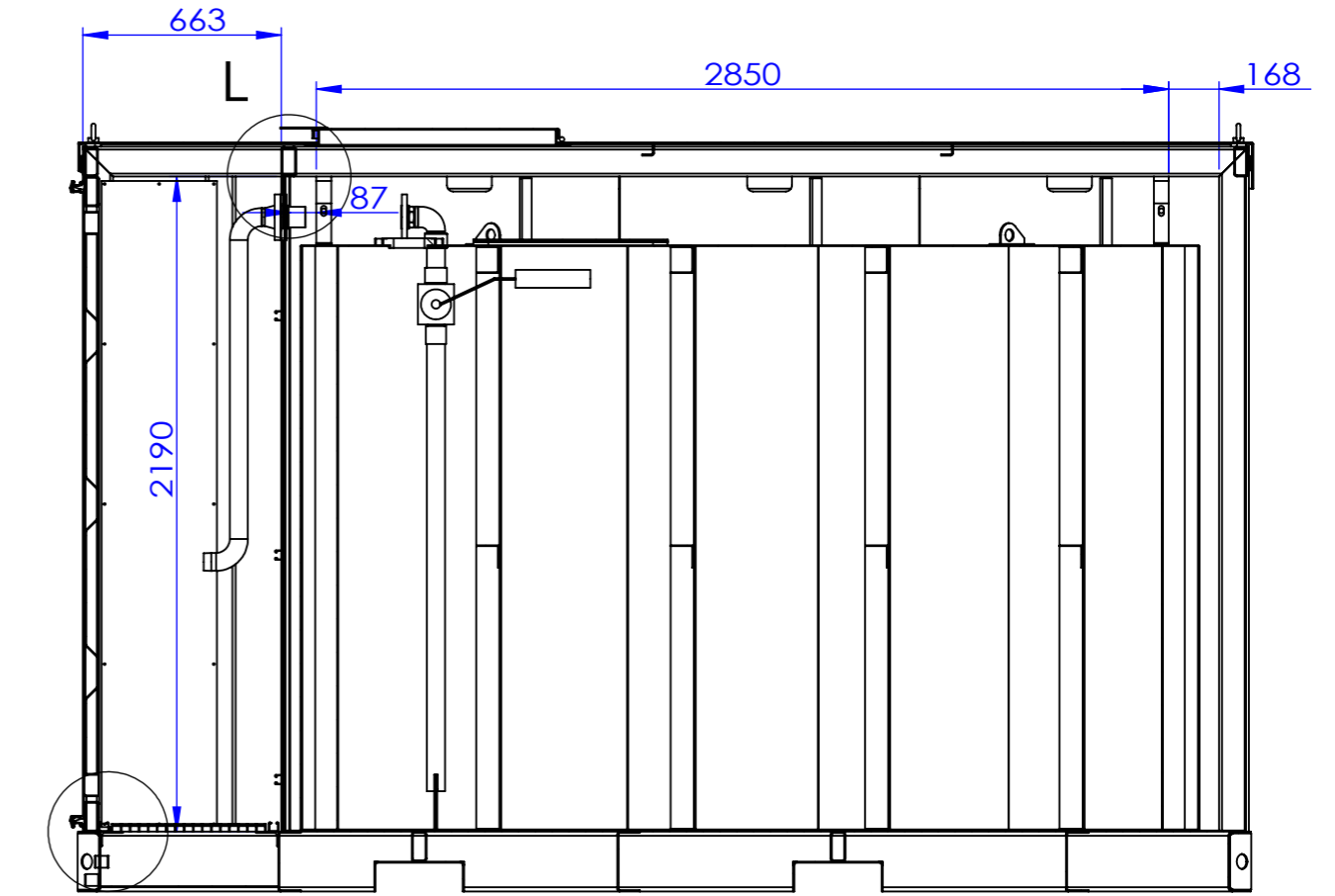
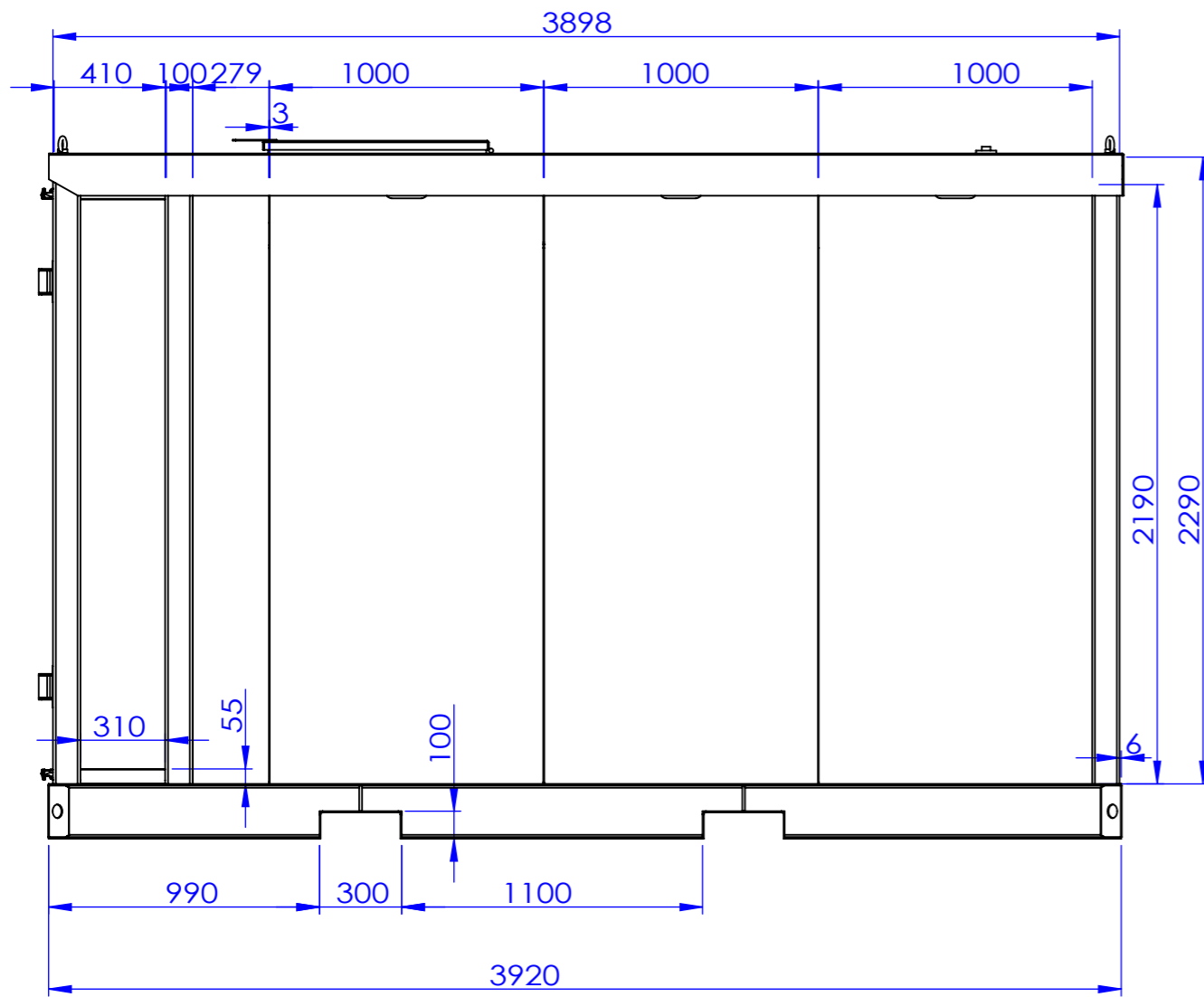
SCALE: N.T.S.

SHEET 2 OF 5

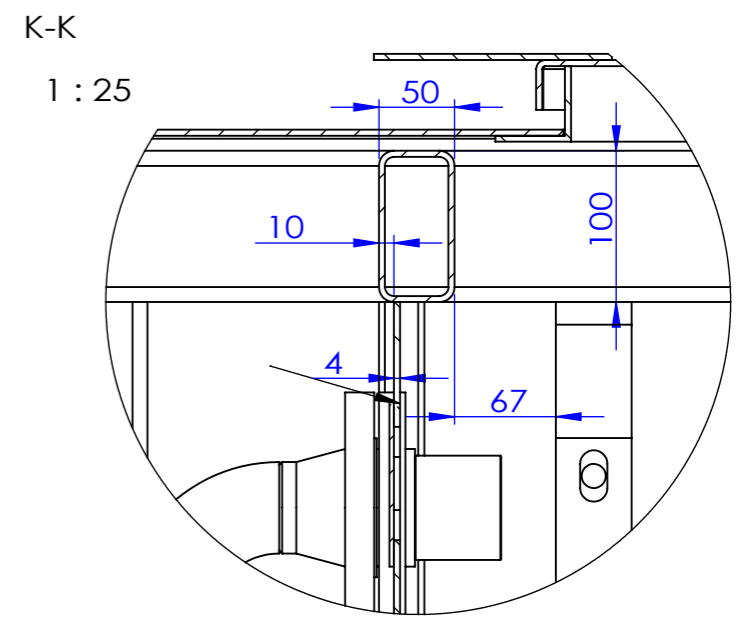
DO NOT SCALE FROM DRAWING. IF IN DOUBT: ASK

UNLESS OTHERWISE SPECIFIED, ALL DIMENSIONS ARE IN MILLIMETRES

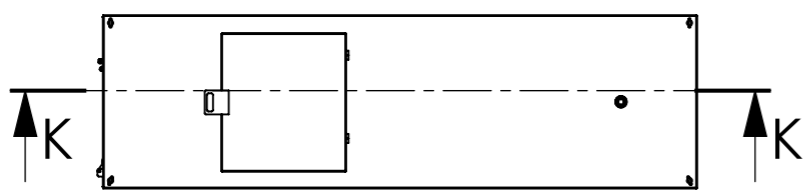
BEWARE OF 100mm MEASURING ERROR



M
1:6



L
1:5

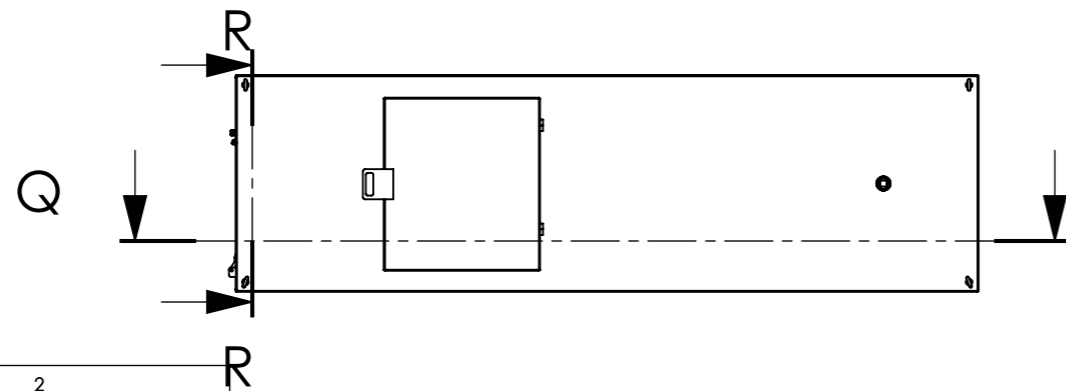
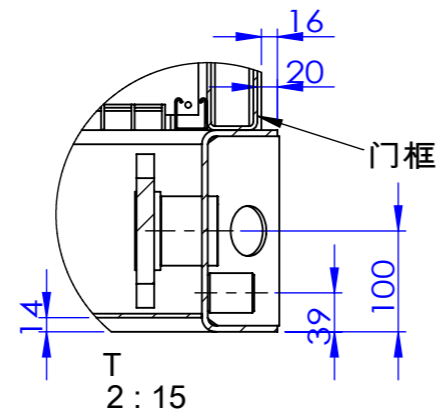
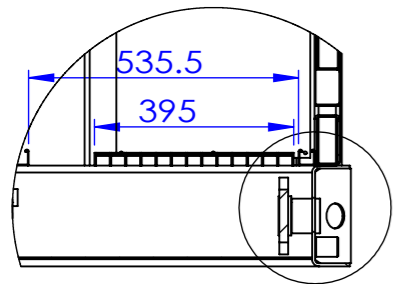
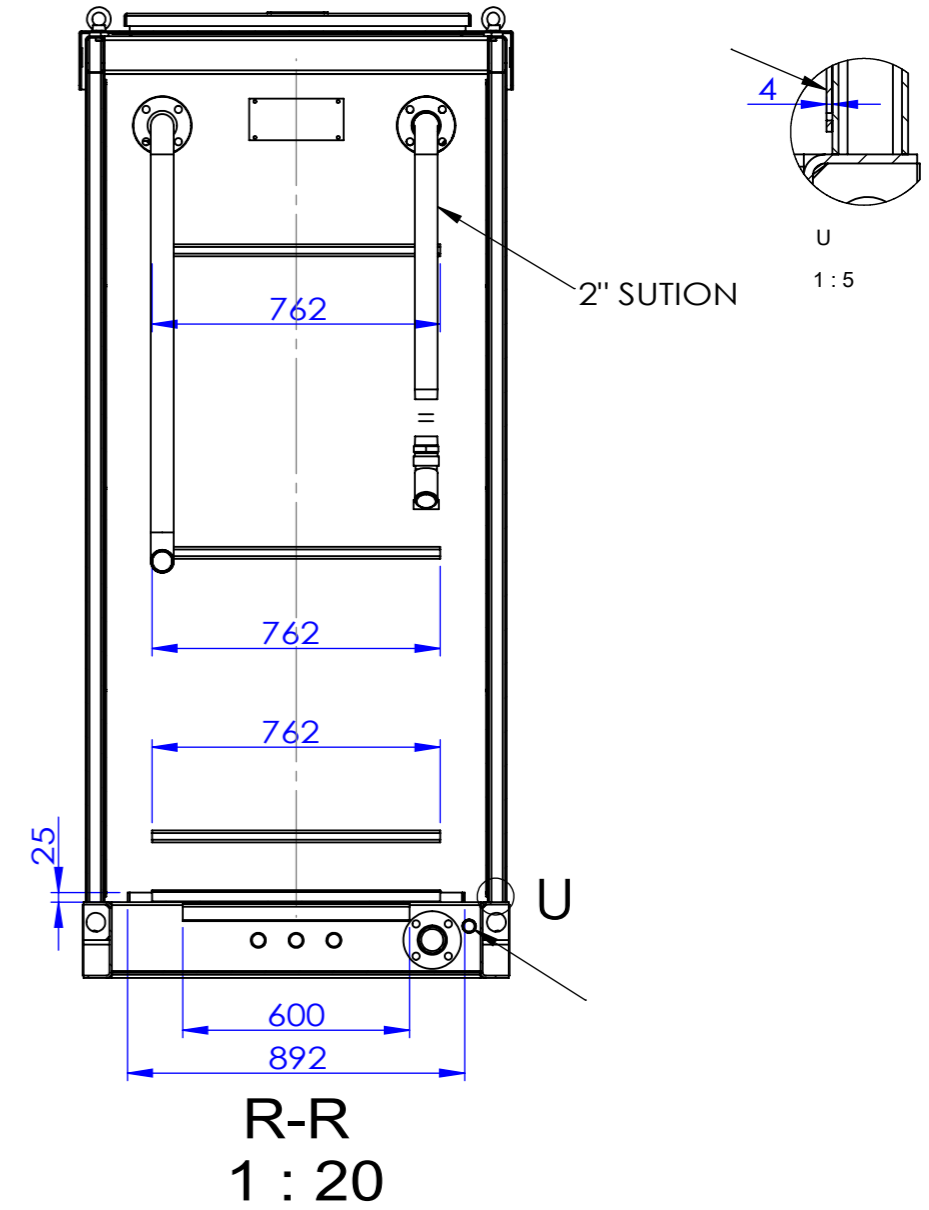
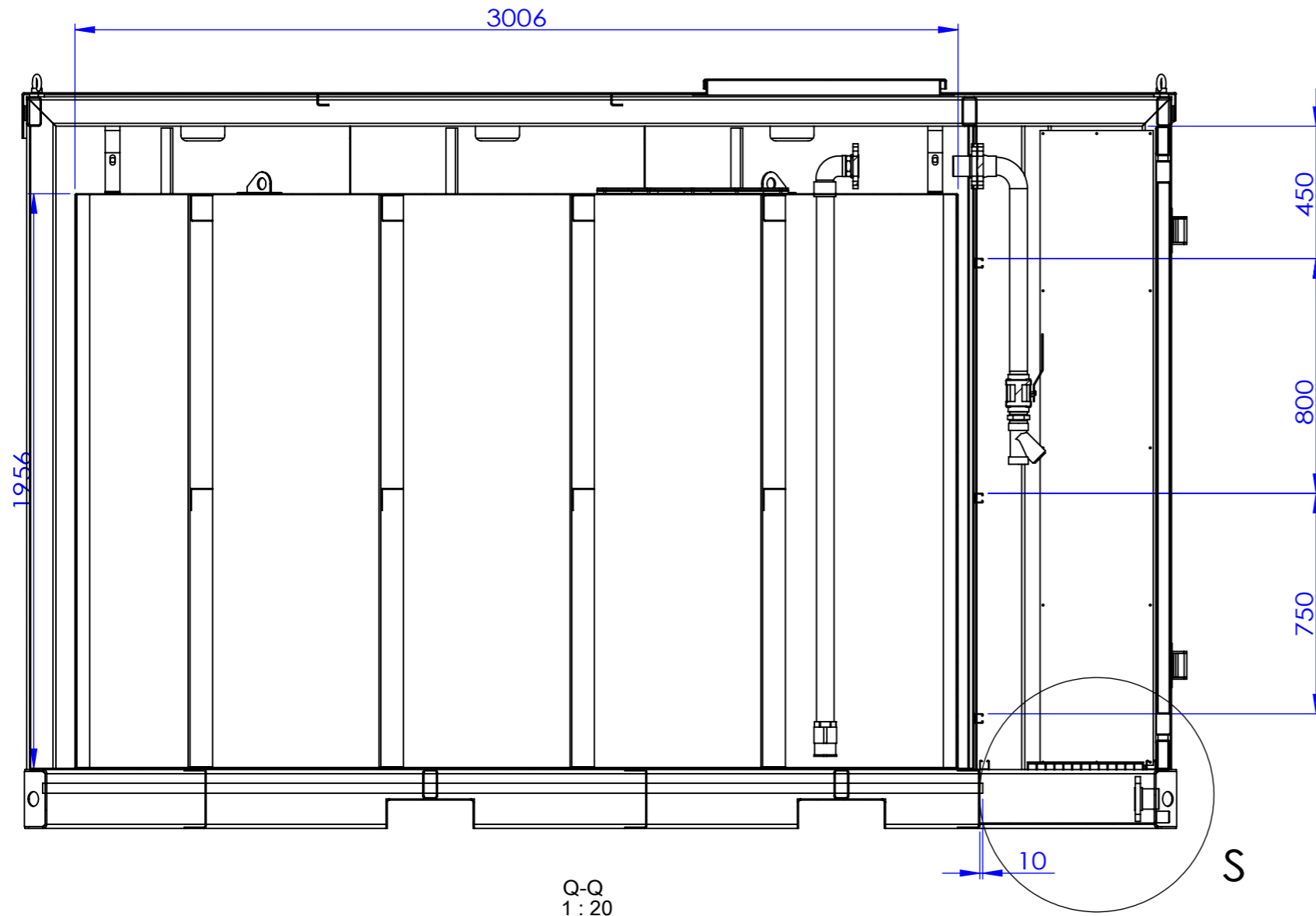


THIRD ANGLE PROJECTION			DWG NO. / PART NO. ADBLUE AB-5.5 5,500L	JOB NO. LB-5.							
<table border="1"> <thead> <tr> <th>NAME</th> <th>DATE</th> </tr> </thead> <tbody> <tr> <td>DRAWN S.Lowrie</td> <td>2016/12/11</td> </tr> <tr> <td>CHK'D</td> <td></td> </tr> <tr> <td>APPV'D</td> <td></td> </tr> </tbody> </table>			NAME	DATE	DRAWN S.Lowrie	2016/12/11	CHK'D		APPV'D		LIQUIP:
NAME	DATE										
DRAWN S.Lowrie	2016/12/11										
CHK'D											
APPV'D											
<table border="1"> <thead> <tr> <th>NAME</th> <th>DATE</th> </tr> </thead> <tbody> <tr> <td>DRAWN S.Lowrie</td> <td>2016/12/11</td> </tr> <tr> <td>CHK'D</td> <td></td> </tr> <tr> <td>APPV'D</td> <td></td> </tr> </tbody> </table>		NAME	DATE	DRAWN S.Lowrie	2016/12/11	CHK'D		APPV'D		TITLE:	
NAME	DATE										
DRAWN S.Lowrie	2016/12/11										
CHK'D											
APPV'D											
<table border="1"> <thead> <tr> <th>NAME</th> <th>DATE</th> </tr> </thead> <tbody> <tr> <td>DRAWN S.Lowrie</td> <td>2016/12/11</td> </tr> <tr> <td>CHK'D</td> <td></td> </tr> <tr> <td>APPV'D</td> <td></td> </tr> </tbody> </table>		NAME	DATE	DRAWN S.Lowrie	2016/12/11	CHK'D		APPV'D		SCALE: N.T.S.	SHEET 3 OF 5
NAME	DATE										
DRAWN S.Lowrie	2016/12/11										
CHK'D											
APPV'D											
<table border="1"> <thead> <tr> <th>NAME</th> <th>DATE</th> </tr> </thead> <tbody> <tr> <td>DRAWN S.Lowrie</td> <td>2016/12/11</td> </tr> <tr> <td>CHK'D</td> <td></td> </tr> <tr> <td>APPV'D</td> <td></td> </tr> </tbody> </table>		NAME	DATE	DRAWN S.Lowrie	2016/12/11	CHK'D		APPV'D		WEIGHT: 2390.03 Kg	SHEET SIZE A3
NAME	DATE										
DRAWN S.Lowrie	2016/12/11										
CHK'D											
APPV'D											
			REVISION 03								

DO NOT SCALE FROM DRAWING. IF IN DOUBT: ASK

UNLESS OTHERWISE SPECIFIED, ALL DIMENSIONS ARE IN MILLIMETRES

BEWARE OF 100mm MEASURING ERROR



THIRD ANGLE PROJECTION

NAME	DATE
DRAWN S.Lowrie	2016/12/11
CHK'D	
APPV'D	



UNITS: METRIC U.N.O.
0 = +1.0
0.0 = +0.4
0.00 = +0.1

MATERIAL:
WEIGHT: 2390.03 Kg

DWG NO. / PART NO.
ADBLUE AB-5.5 5,500L

JOB NO.
LB-5.

LIQUIP:

TITLE:

SCALE: N.T.S.

SHEET 4 OF 5

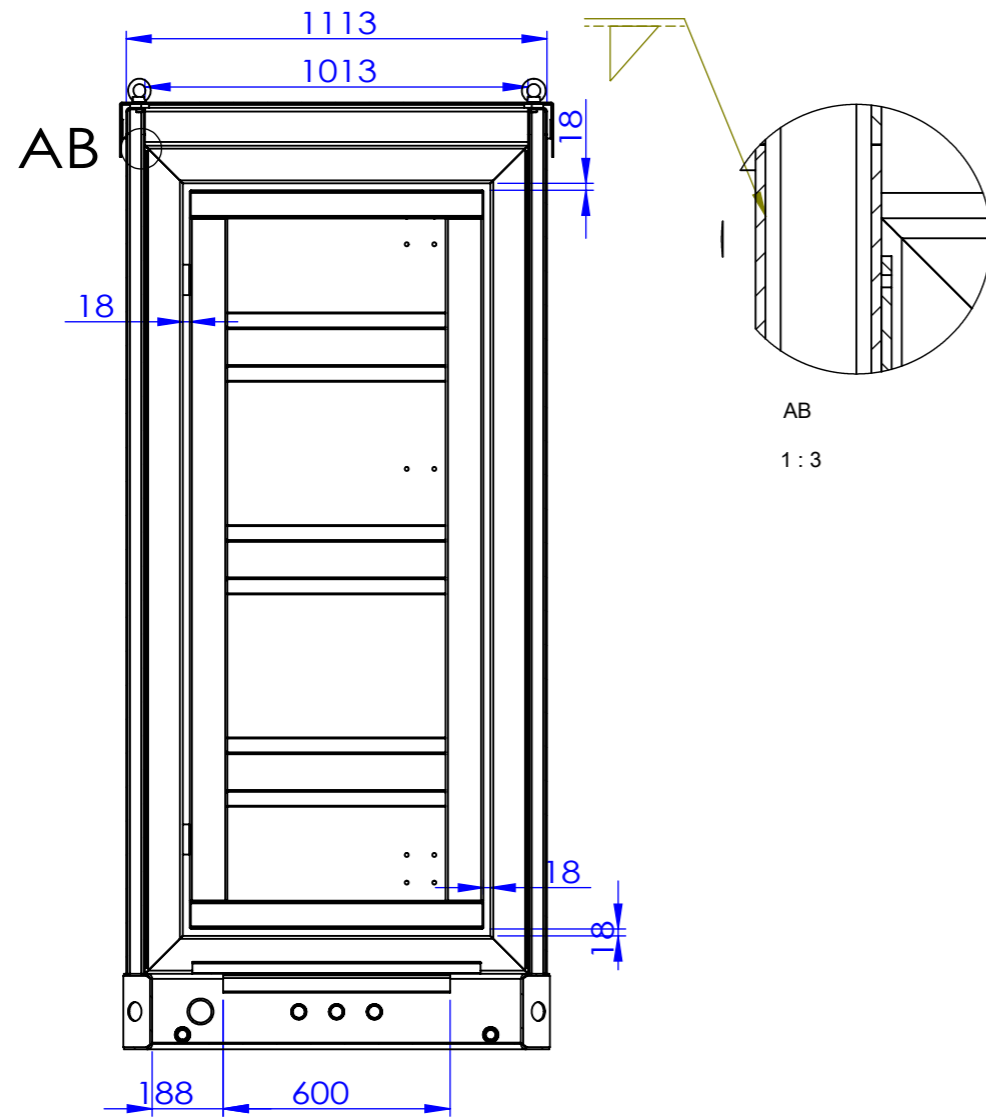
SHEET SIZE
A3

REVISION
03

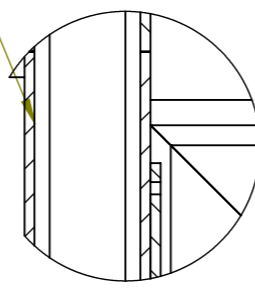
DO NOT SCALE FROM DRAWING. IF IN DOUBT: ASK

UNLESS OTHERWISE SPECIFIED, ALL DIMENSIONS ARE IN MILLIMETRES

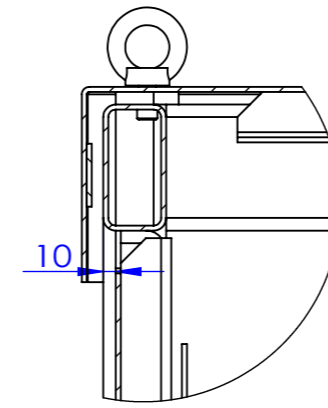
BEWARE OF 100mm MEASURING ERROR



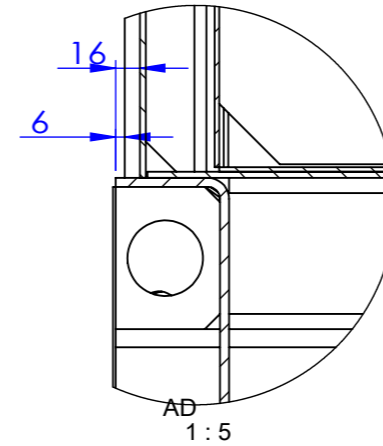
W-W
1 : 20



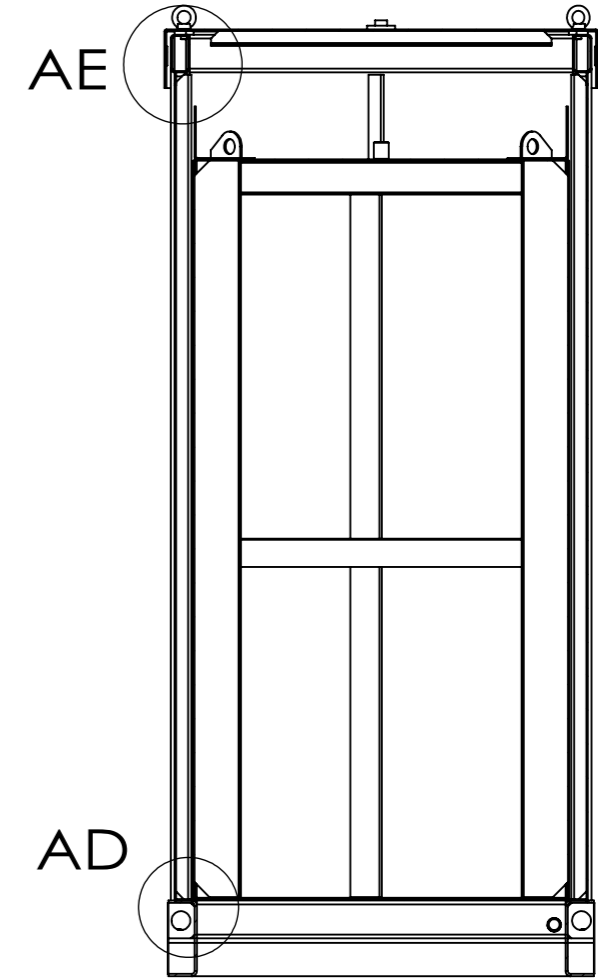
AB
1 : 3



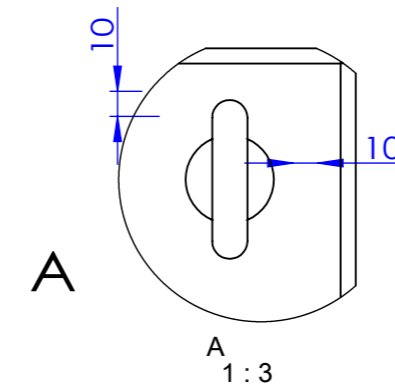
AE
1 : 6



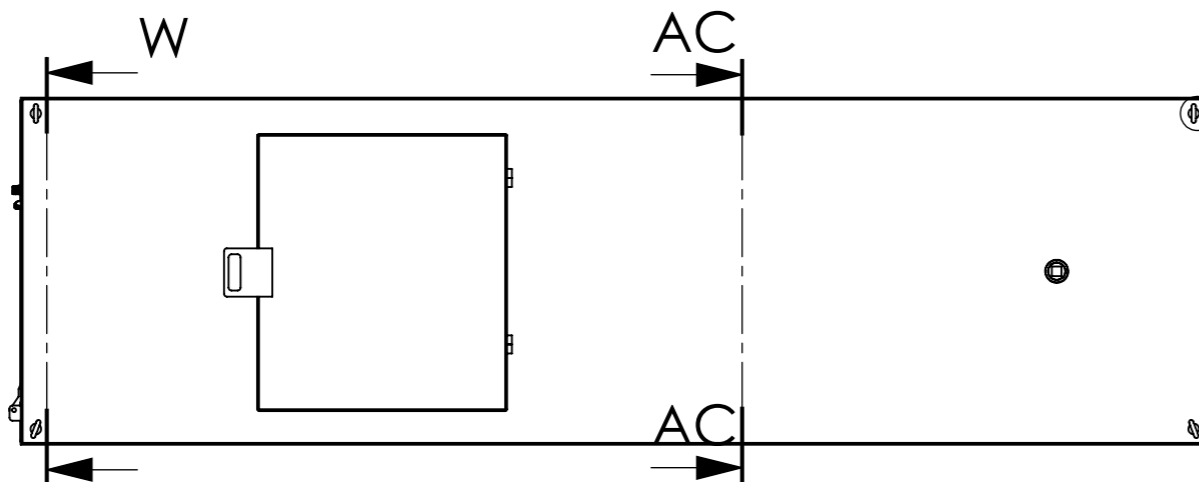
AD
1 : 5



AC-AC
1 : 20



A
1 : 3



THIRD ANGLE PROJECTION		DRAWN S.Lowrie 2016/12/1	
CHK'D		DATE	
APPV'D		SCALE	1:1



UNITS: METRIC
TOLERANCE U.N.O.
0 = +1.0
0.0 = +0.4
0.00 = +0.1
WEIGHT: 2390.03 Kg

DWG NO. / PART NO.
ADBLUE AB-5.5 5,500L

JOB NO.
LB-5.

LIQUIP:

TITLE:

SCALE: N.T.S.

SHEET 5 OF 5

SHEET SIZE
A3

REVISION
03