



FUEL MANAGEMENT SYSTEMS



DISPENSERS



KITS



PUMPS



METERS



NOZZLES

SELF 2000 / SELF 3000

FEATURES

- MANUAL
- VERSATILE
- HIGH EFFICIENCY
- LEVER PROTECTION

The PIUSI SELF 2000 / SELF 3000 manual nozzles perform the maximum efficiency thanks to the low-flow resistance and the wide range of applications including transfer systems run by gravity. They are supplied with removable lever protection and connectors.



PERFORMANCE

UP TO

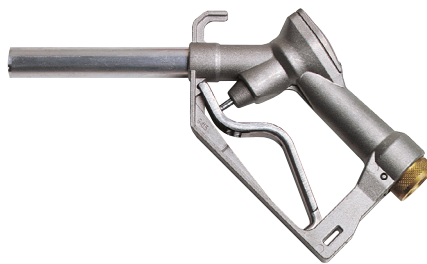
150 L/MIN

FLOW RATE

25MM

OD SPOUT

SELF 2000 / SELF 3000



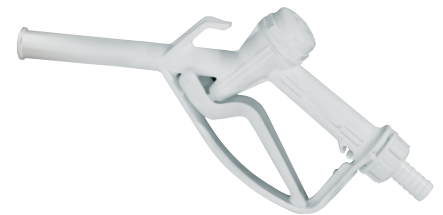
SELF 2000 DIESEL



SELF 3000 DIESEL/GASOLINE



PLASTIC NOZZLE WATER/DIESEL



PLASTIC NOZZLE WATER/FOOD



PACKAGING

CODE	WEIGHT		PACKAGING			N. BOXES / EUROPALLET	
	KG	LBS	MM	INCH	PCS/BOX		
00063900A	0,7	1,5	400X250X200	16X11X7,8	1		
00064900A	0,7	1,5	400X250X200	16X11X7,8	1		
00064902A	0,7	1,5	400X250X200	16X11X7,8	1		
00065001A	0,7	1,5	400X250X200	16X11X7,8	1		
00065600A	0,7	1,5	400X250X200	16X11X7,8	1		
FO0641120	0,7	1,5	400X250X200	16X11X7,8	1		
FO0641130	0,7	1,5	400X250X200	16X11X7,8	1		
FO065000A	0,7	1,5	400X250X200	16X11X7,8	1		
FO0650020	0,7	1,5	400X250X200	16X11X7,8	1		
FO063000A	0,3	0,7	-	-	1		



FILTRATION



TANK MONITORING



HOSE REEL



ACCESSORIES



MERCHANDISE



AIR



ANTIFREEZE



AdBlue®



BIODIESEL



DIESEL



FOOD



GASOLINE



GREASE



KEROSENE



OIL



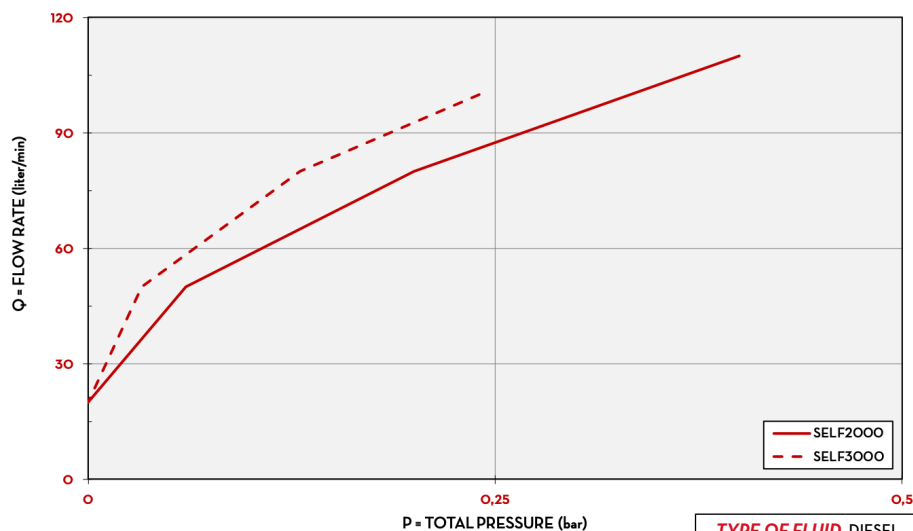
WATER



WINDSCREEN

CHART

SELF 2000 / SELF 3000



TYPE OF FLUID DIESEL
TEMPERATURE 18°C

IN THE BOX

- SELF 2000/ SELF 3000 NOZZLE
- INSTRUCTION MANUAL

DETAILS

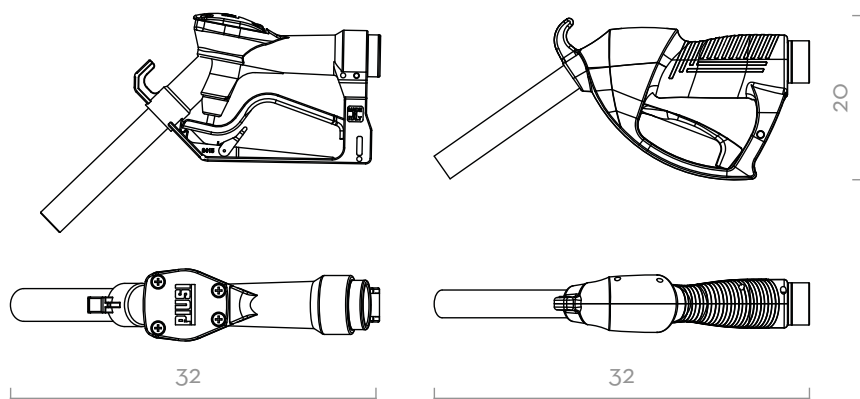


LEVER PROTECTION



ROTATING SWIVEL

DIMENSIONS



Dimensions expressed in millimeters

MATERIALS

- BODY: ALUMINIUM
- SEAL: VITON



TECHNICAL DATA

CODE	DESCRIPTION	FLUIDS TYPE	FLOW RATE		INLET		SPOUT	
			L/MIN	GPM	SWIVEL	Ø BSP	EXT. Ø MM	
00063900A	SELF 2000 1" BSP UNLEADED	B D G O	120	32	FEMALE	1" BSP	20	
00064900A	SELF 2000 3/4" BSP	B D O	120	32	FEMALE	3/4" BSP	25	
00064902A	SELF 2000 3/4" BSP UNLEADED	B D G O	120	32	FEMALE	3/4" BSP	20	
00065001A	SELF 3000 1" BSP UNLEADED	B D O G	150	40	FEMALE	1" BSP	20	
00065600A	SELF 2000 1" BSP SPOUT 25 MM	B D O	120	32	FEMALE	1" BSP	25	
FO0641120	SELF 2000 W/HOSE TAIL D.20 SPOUT 25 MM	B D O	120	32	FEMALE	3/4" BSP	25	
FO0641130	SELF 2000 1" BSP	B D O	120	32	FEMALE	1" BSP	25	
FO065000A	SELF 3000 1" BSP LEADED SPOUT	B D O	150	40	FEMALE	1" BSP	25	
FO0650020	SELF 3000 1" BSP LEADED SPOUT S/P	B D G O W	150	40	FEMALE	1" BSP	25	
FO063000A	PLASTIC NOZZLE BLACK W/SWIVEL 1" BSP	B D O W	80	21	FEMALE	1" BSP	34	

SELF 2000 / SELF 3000