

**FILL-RITE**®

**FR1200G / FR2400G / FR4200G / FR4400G**  
**SD1200G / Series DC Transfer Pumps**  

---

**FR600G Series AC Transfer Pumps**  

---



# Table of Contents

Safety Information .....	3
Installation .....	3
DC Electrical Wiring .....	6
DC Wiring Diagram.....	9
AC Electrical Wiring .....	10
AC Wiring Diagram.....	11
Operating Instructions.....	12
Padlocking.....	12
Troubleshooting.....	13
Dimensional Information.....	14
DC Technical Information (1200 / 2400 Series).....	15
DC Technical Information (4200 / 4400 Series).....	16
AC Technical Information .....	17
Kits and Parts .....	18
Accessories .....	19
Safety Approvals and Certifications .....	20
Motor Tag Information .....	20

## Thank You!

Thank you for your purchase! Your Fill-Rite® product comes with over 80 years of pump manufacturing experience behind it, providing you the value that comes with superior performance, user friendly design, long service life, and solid, simple engineering. Experience that gives you peace of mind.

*Pump Your Heart Into It*

## About This Manual

From initial concept and design through its final production, your Fill-Rite pump is built to give you years of trouble free use. To ensure it provides that service, **it is critical that you read this entire manual prior to attempting to install or operate your new pump.** Become familiar with the terms and diagrams, and pay close attention to the highlighted areas with the following labels:



**WARNING!** Emphasizes an area in which personal injury or even death could result from failure to follow instructions properly. Mechanical damage may also occur.



**IMPORTANT!** These boxes contain information that illustrates a point that may save time or may be key to proper operation, or clarifies a step.



**CAUTION!** Failure to observe a “Caution” can cause damage to the equipment.

At Tuthill, your satisfaction with our products is paramount to us. If you have questions or need assistance with your product, please contact us at 1-800-634-2695 (M-F 8 AM–5 PM ET).

## Safety Information



**WARNING!** Electrical wiring should be performed **ONLY** by a licensed electrician in compliance with local, state, and national electrical code NEC/ANSI/NFPA 70, NFPA 30, and NFPA 30A, as appropriate to the intended use of the pump. Threaded rigid conduit, sealed fittings, and conductor seal should be used where applicable. The pump must be properly grounded. Improper installation or use of this pump can result in serious bodily injury, or death!



**WARNING!** To ensure safe and proper operation of your equipment, it is critical to read and adhere to all of the following safety warnings and precautions. Improper installation or use of this product can cause serious bodily injury or death!

- **NEVER** smoke near the pump, or use the pump near open flames when pumping a flammable liquid! Fire can result!
- A filter should be used on the pump outlet to ensure no foreign material is transferred to the fuel tank. We recommend Fill-Rite filters for best results.
- Threaded pipe joints and connections must be sealed with the appropriate sealant or sealant tape to minimize the possibility of leaks.
- Storage tanks must be securely anchored to prevent shifting or tipping when full or empty.
- To minimize static electricity build up, use only static wire conductive hose when pumping flammable fluids, and keep the fill nozzle in contact with the container being filled during the filling process.
- The pump motor is equipped with thermal overload protection; if overheated, the motor will shut off to prevent damage to the windings. If this happens:
  - 2400, 4400, 600, and SD600 series pumps will reset automatically when the pump cools down.
  - 1200 & 4200 series pumps must be reset manually to operate again. Wait until the motor cools down and turn the power switch off to reset.



**WARNING!** This product shall not be used to transfer fluids into any type of aircraft.



**WARNING!** This product is not suited for use with fluids intended for human consumption or fluids containing water.

## Installation

Your Fill-Rite pump is designed to be mounted on a skid tank using the threaded inlet flange supplied with the pump (see attached diagrams). Your pump features an integral bypass valve to recirculate the fluid when the pump is operating with the nozzle closed.



**WARNING!** In Skid Tank applications, be sure the tank is properly secured so it cannot shift or move whether the tank is empty or full.



**CAUTION!** Do not use additional check valves or foot valves unless they have a proper pressure relief valve built into them. Note that additional check valves will reduce rate of flow.



**CAUTION!** A pressure retaining fill cap can be used to reduce fuel loss through evaporation, but note that it will reduce the flow rate.



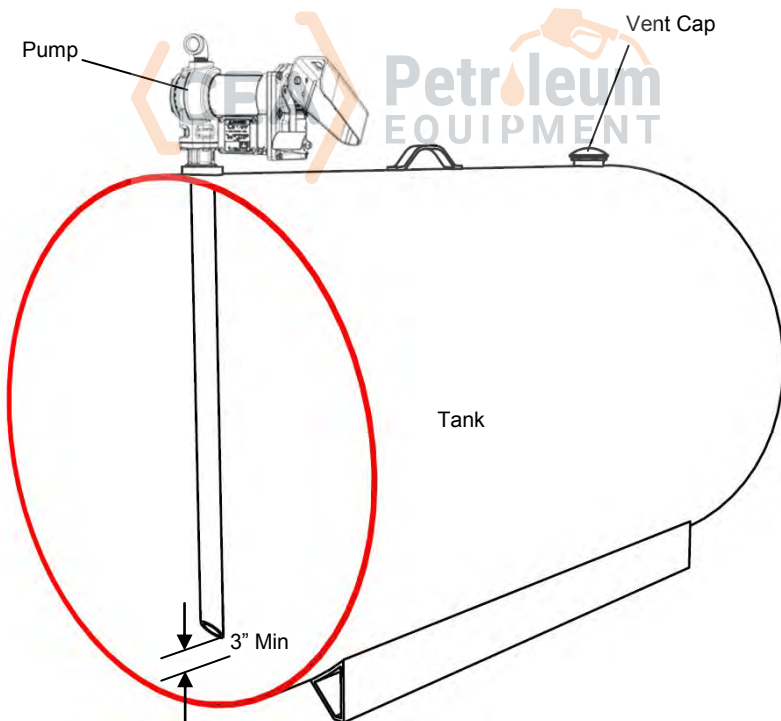
**CAUTION!** Threaded pipe joints and connections must be sealed with the appropriate sealant or sealant tape to prevent the possibility of leaks.



**WARNING!** Fill-Rite pumps are designed for use with stationary and mobile tank applications. While DC powered units are excellent choice for mobile applications, anchoring the tank to which the pump is mounted is paramount to ensure no movement in transit. Failure to secure the tank to the vehicle can cause uncontrolled movement, resulting in damage, injury, and potential fire.

### Typical Skid Tank Installation

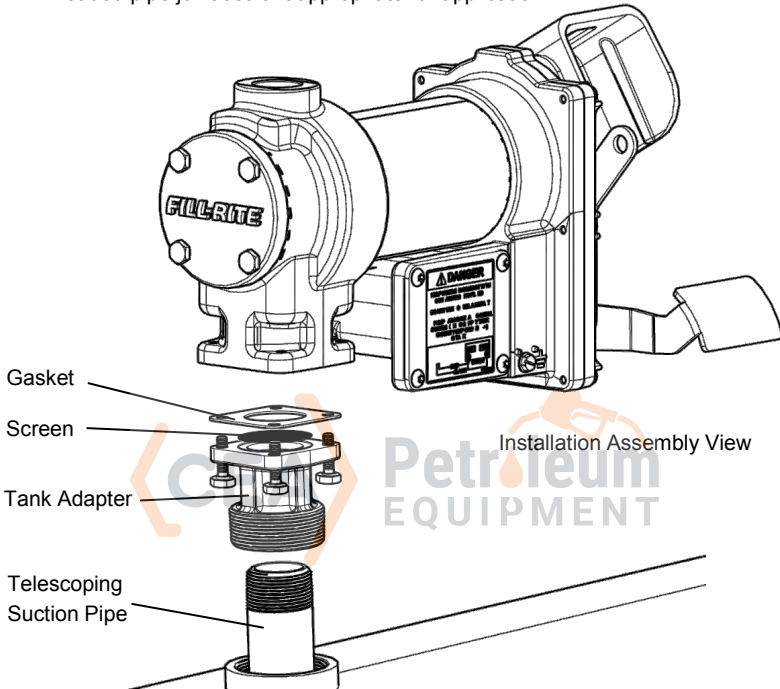
The pump mounts to the bung of a skid tank by way of the inlet flange. The suction tube threads into the bottom of the inlet flange, and must extend to a length that positions it at least 3" from the bottom of the tank. The skid tank should be equipped with a vent cap.



## Typical Skid Tank Installation

### Materials:

- 1" telescoping suction pipe extended to a length that will extend to within 3" of the bottom of the tank when screwed into the tank adapter with the tank adapter screwed into the tank flange (see **SKID TANK INSTALLATION** diagram).
- Threaded pipe joint sealant appropriate for application.



### Installation Procedure:

1. Thread the 1" pipe into the tank adapter. Seal threads liquid tight with appropriate sealant.

(Figure 1)

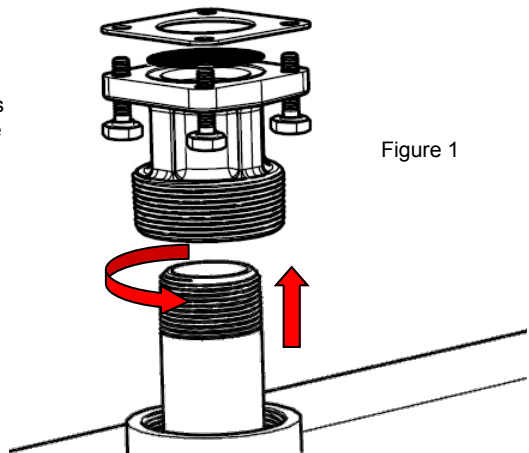
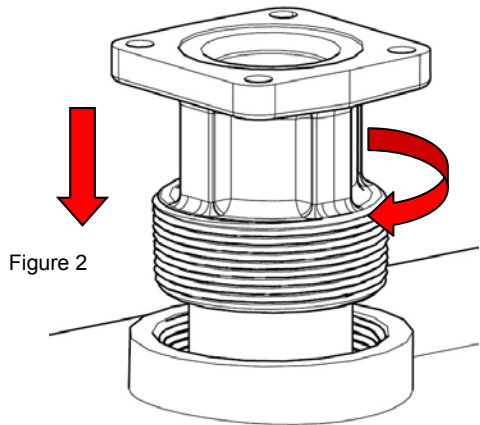


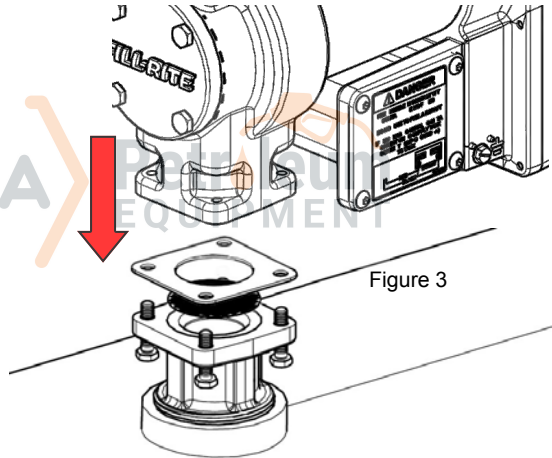
Figure 1

## Typical Skid Tank Installation (cont'd)

2. Screw the inlet flange (with suction pipe) into the tank bung; seal threads liquid tight with appropriate thread sealant (Figure 2).



3. Mount the pump on the adapter; making sure the seal and screen are installed as shown. (Figure 3).



## Electrical Wiring

### DC Wiring Procedure

#### FR1200G / FR2400G / FR4200G / FR4400G / SD1202G Series DC Transfer Pumps



**CAUTION!** DC powered pumps are designed to operate on either 12 or 24 VDC (depending on model). Where applicable, use the supplied battery cable to supply power to the pump from a 12 or 24 VDC battery. A 30 amp fuse (20 amp fuse on 24 VDC motors) should be installed on the battery cable (see wiring diagram page 9) to protect the wire in case of electrical short.



**CAUTION!** Voltage drop in wiring varies depending on the distance from the battery to the pump and the gauge of the wire used. If the distance is greater than 20', refer to national, international, or local electrical codes to ensure the wire is of the correct size for this application.

## Instructions Before Proceeding With DC Wiring

The pump needs to be electrically bonded to supply tank or vehicle frame. To electrically bond pump, remove green bonding screw located next to junction box cover. Insert this screw through eyelet of furnished green bonding wire assembly and refasten it securely to the pump. The other end of the wire is to be stripped of insulation and the bare wire securely bonded to the vehicle / trailer frame or skid tank.



**WARNING!** Do not connect the positive or negative power to the green screw or wire as this could cause a fire.

### Wiring Instructions (see Figure 4, Page 8)

1. Remove pump's electrical junction box cover and straighten the 2 wires to make the stripped wire ends accessible outside of the junction box.
2. Screw furnished cable connector into NPT\* conduit opening in pump junction box.
3. Strip 6 inches of the outer covering from one end of the furnished electrical cable being careful not to damage the black and red wire insulation.
4. Loosen cable connector nut and pass the stripped end of the furnished cable through the cable connector. Tighten the cable connector nut.
5. Strip ½ inch of the insulation from the ends of the red and black cable wires. Using the furnished wire nuts, connect these wires to the pump wires matching the colors. Be sure no bare wire is exposed.
6. Fold wires into junction box and replace cover making sure the gasket is in place. Make sure all screws are seated so there is no space between the cover and the junction box (see "IMPORTANT!" information box and diagram page 10).

### Wiring To A Vehicle Electrical System (see wiring diagram, page 9)

1. Pass the electrical wires to the source of the vehicle power system, supporting the wires as necessary and protecting them from sharp edges, heat, and anything that could damage the wires.
2. To determine if the vehicle electrical system is **negative (-)** or **positive (+)** ground, check the battery marking of the terminal that is wired to the vehicle frame or motor block. The red wire from the pump will connect to positive battery post and the black wire from the pump will connect to negative battery post.
3. Attach one end of the fuse holder to the end of the ungrounded wire. Make a solid electrical connection with the other end of the fuse holder to the ungrounded side of the battery, **as close to the battery as possible**. Make a solid electrical connection to the grounded side of the battery with the remaining wire. The battery terminal or the end of the battery cable is recommended.
4. Check all connections to make sure they are connected per instructions and all electrical codes. Install the 30 amp fuse (20 amp fuse in 24 VDC installations) in the fuse holder. The installation is now complete.



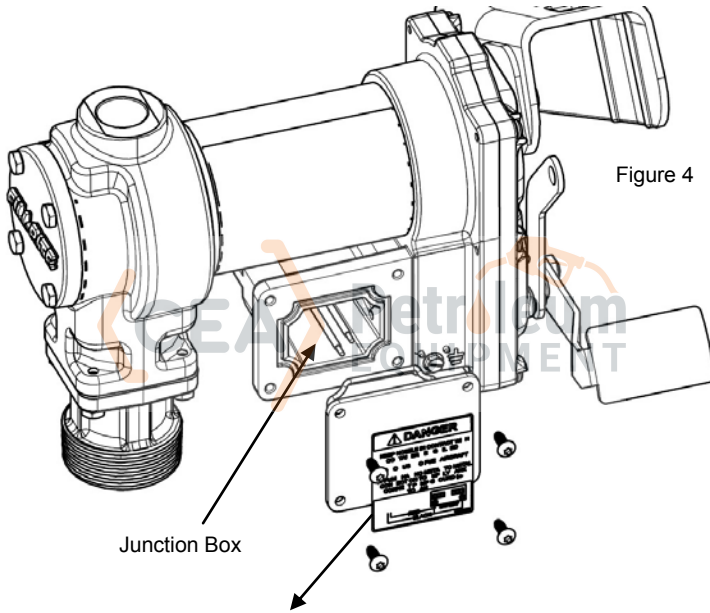
**WARNING!** Do not attempt to power the pump from vehicle wiring smaller than 12 gage such as the cigarette lighter wire because these thin wires could overheat and cause a fire.

\*M20 Conduit entry on GE models

**DC Wiring (cont'd)**

**For Skid Mounted Tanks**

1. Pass the electrical wires to the power source, supporting the wires as necessary and protecting them from sharp edges, heat and anything that could damage the wires.
2. Attach one end of the fuse holder to the **red** pump wire, **as close to the battery / power source as possible**. Make a solid electrical connection to the **positive** terminal of the power source with the other end of the fuse holder. Make a solid connection with the **black** pump wire to the **negative** terminal of the power source.
3. Check all connections to make sure they are connected per instructions and all electrical codes. Install the 30 amp fuse (20 amp fuse in 24 VDC installations) in the fuse holder. The installation is now complete.



**⚠ DANGER**

KEEP NOZZLE IN CONTACT WITH  
CONTAINER BEING FILLED

DO NOT USE TO FUEL AIRCRAFT

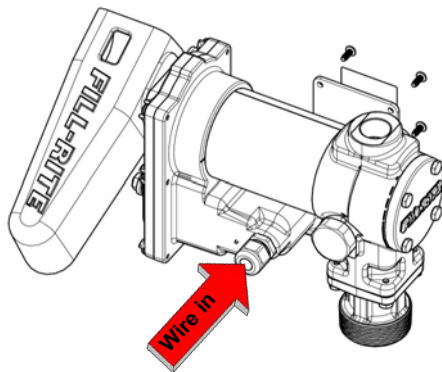
CONNECT PUMP'S GREEN TERMINAL  
GROUND (⊕) SCREW TO FUEL TANK

1200G9831



⊕	⊖
BATTERY	
RED	BLACK

\* Install fuse in ungrounded power lead



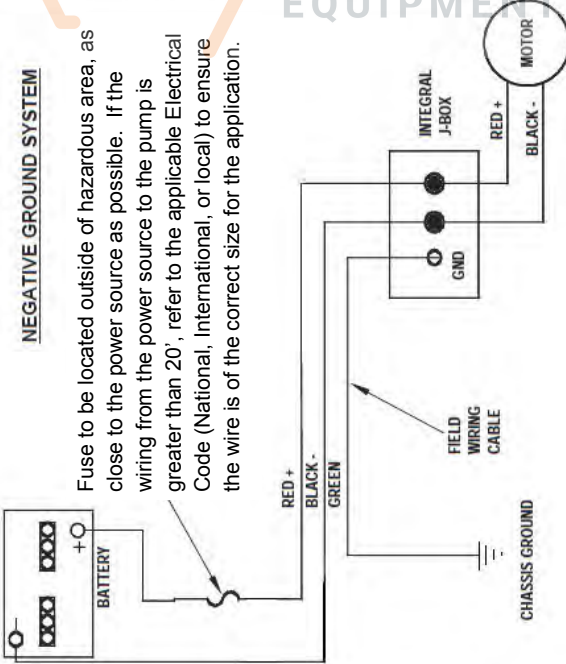


## DC Wiring Diagram

### DC Wiring Diagram

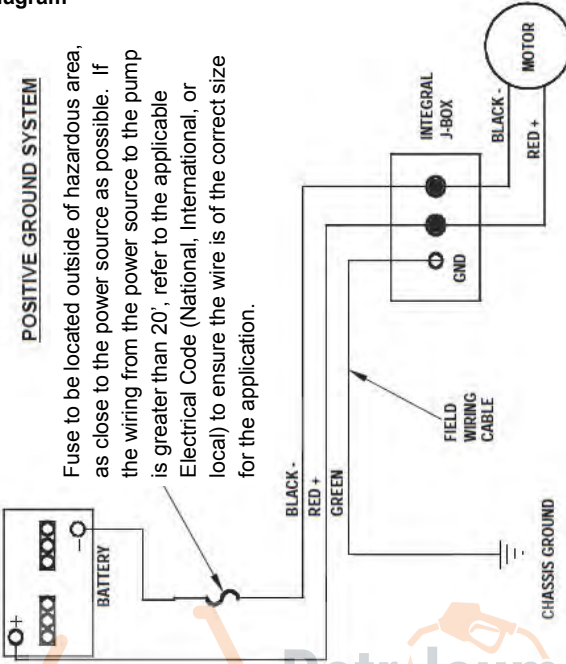
#### NEGATIVE GROUND SYSTEM

Fuse to be located outside of hazardous area, as close to the power source as possible. If the wiring from the power source to the pump is greater than 20', refer to the applicable Electrical Code (National, International, or local) to ensure the wire is of the correct size for the application.



#### POSITIVE GROUND SYSTEM

Fuse to be located outside of hazardous area, as close to the power source as possible. If the wiring from the power source to the pump is greater than 20', refer to the applicable Electrical Code (National, International, or local) to ensure the wire is of the correct size for the application.



# AC Wiring Instructions

## FR600G / SD602G AC Transfer Pumps



**WARNING!** Electrical wiring should be performed **ONLY** by a licensed electrician in compliance with local, state, and national electrical code NEC/ANSI/NFPA 70, NFPA30, and NFPA 30A, as appropriate to the intended use of the pump. The pump must be properly grounded. Improper installation or use of this pump can result in serious bodily injury, or death!



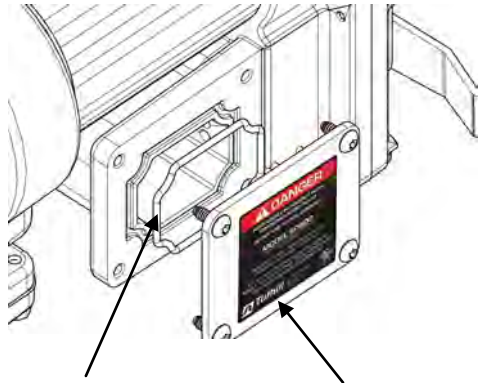
**CAUTION!** All pumps should operate at the rated nameplate voltage. AC power should be supplied to the pump from a dedicated circuit with 15 amp circuit protection. No other equipment should be powered by this circuit. Wiring must be of sufficient size to carry the correct current for the pump (minimum 12 gauge). Voltage drop will vary with distance to pump and size of wire; refer to the National Electrical Code (NEC), or local codes, for voltage drop compensation to be sure you are using the correct size wire for your application.

### AC Wiring Procedure

1. Remove the junction box cover and straighten the wires to make sure the stripped wire ends are accessible outside the junction box.
2. Install rigid conduit and appropriate wiring from power source to the junction box to maintain the explosion proof integrity. Power should be supplied from a dedicated 15 amp circuit breaker; no other equipment should be powered by this circuit.
3. Connect the pump wires to the power supply lines according to the wiring diagram (page 11). Be certain to properly insulate the connections with the appropriate wire nuts or other connectors. Note that the ground wire **MUST** be connected (ground wire connection is inside the junction box; see figure 5, page 11).
4. Fold the wires back into the junction box and replace the cover, making sure the cover gasket is in place.



**IMPORTANT!** Be certain the gasket for the junction box cover is in place, and the screws draw the cover down tight over the junction box. There must be no gap between the junction box and it's cover. The seal should be weather tight to prevent moisture from entering the junction box.



Junction Box Gasket

Junction Box Cover

## AC Pump Junction Box (FR600G Series AC Transfer Pumps)

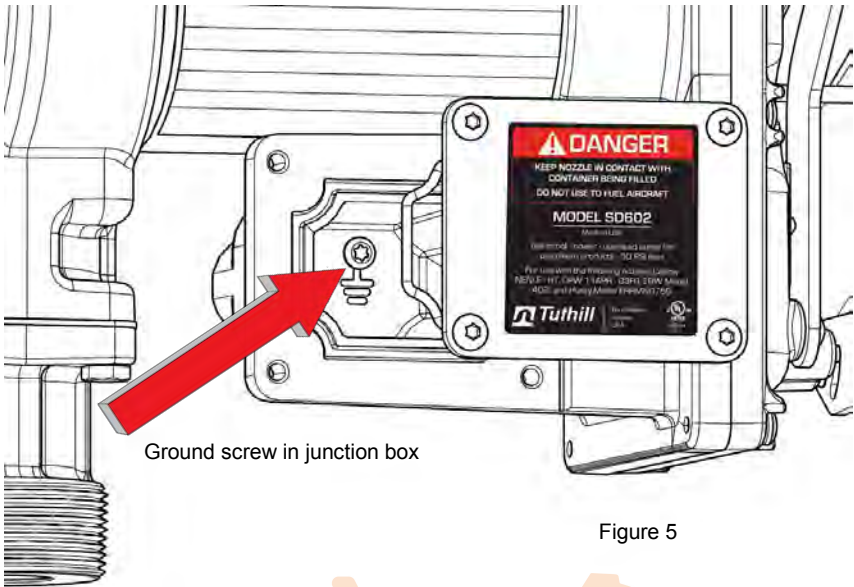
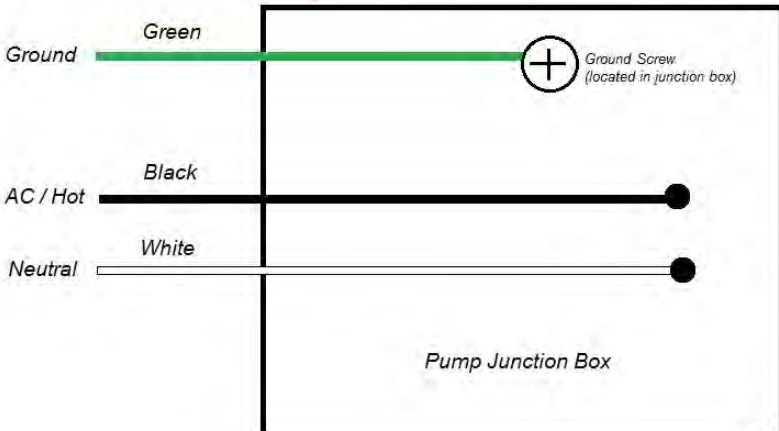


Figure 5

## AC Wiring Diagram (FR600G Series AC Transfer Pumps)

115 VAC Wiring Diagram



**WARNING!** Ground wire in supply wiring MUST be connected to the ground screw inside the junction box.

## Operating Instructions



**WARNING!** Always keep the nozzle in contact with the container being filled during the filling process to minimize the possibility of static electricity build up.

1. If so equipped, reset meter to "0" (do not reset while in use as this will cause damage to the meter).
2. Remove dispensing nozzle from nozzle boot.
3. Move the switch lever to the "ON" position to power the pump (figure 5).
4. Insert the dispensing nozzle into the container to be filled.
5. Operate the nozzle to dispense fluid; release nozzle when the desired amount of fluid has been dispensed.

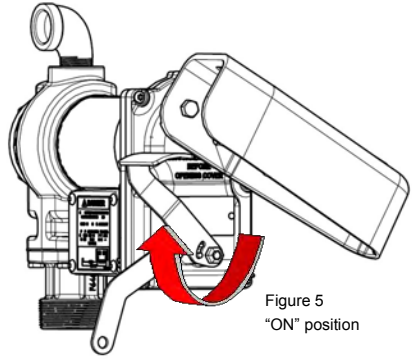


Figure 5  
"ON" position

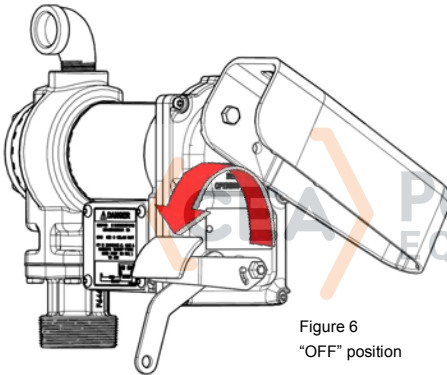


Figure 6  
"OFF" position

6. Move switch lever to the "OFF" position (Figure 6) to turn off the pump.
7. Remove the dispensing nozzle from the container being filled and store it in the nozzle boot.

## Padlocking

Your Fill-Rite pump nozzle can be padlocked to the pump for added security. With the pump turned off, and the nozzle in the stored position, a padlock can be inserted through the locking link and the nozzle handle.

The locking link is located on the nozzle side of the pump, and can be pivoted into position to work with a variety of nozzles (Figure 7).

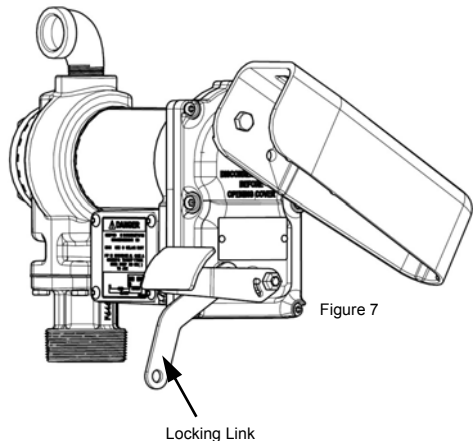


Figure 7

Locking Link

## Troubleshooting

The following troubleshooting guide is provided to offer basic diagnostic assistance in the event you encounter abnormal service from your Fill-Rite product.

If you have questions regarding installing, operating, or servicing your product, please feel free to contact our Customer Service Department at 1-800-634-2695 (M-F 8 AM-5 PM ET). You can also reach us on the World Wide Web at "www.fillrite.com".



**WARNING! DO NOT** open or attempt to repair the motor on your Fill-Rite pump. Return it to the place of purchase for service. Opening the motor case can compromise the integrity of the Explosion Proof construction and will void any existing warranty and certification.



**WARNING!** Be certain all power to the pump is disconnected prior to performing any service or maintenance.

Symptom	Cause	Cure
Pump won't prime.	1. Suction line problem.	Check for leaks or obstructions in suction line.
	2. Bypass valve open.	Remove and inspect valve; must move freely & be free of debris.
	3. Vanes sticking.	Check vanes and slots for nicks, burrs and wear.*
	4. Excessive rotor or vane wear.	Inspect rotor & vanes for excessive wear or damage; replace if necessary.*
	5. Vapor Lock.	Reduce vertical and horizontal distance from pump to liquid; remove automatic nozzle.
Low capacity.	1. Excessive dirt in screen.	Remove and clean screen.
	2. Suction line problem.	Check suction line for leaks or restrictions; it may be too small, too long or not airtight.
	3. Bypass valve sticking.	Remove and inspect valve; must move freely & be free of debris.
	4. Outlet blocked.	Check pump outlet, hose, nozzle & filter for blockage.
	5. Vanes sticking.	Check vanes and slots for wear.*
	6. Excessive rotor or vane wear.	Inspect rotor & vanes for excessive wear or damage; replace if necessary.*
	7. Hose or nozzle damage.	Replace hose or nozzle.
	8. Plugged filter.	Replace filter.
	9. Low fluid level.	Fill tank.
Pump runs slowly.	1. Incorrect voltage.	Check incoming line voltage while pump is running.
	2. Vanes sticking.	Inspect vanes and slots for nicks, burrs and wear.*
	3. Wiring problem.	Check for loose connections.
	4. <b>Motor problem.</b>	<b>Return to place of purchase.</b>

See page 14 for explanation of **Bold text** and \* items.

## Troubleshooting (cont'd)

Motor stalls / fuse blows or thermal protector trips repeatedly.	1. Bypass valve sticking.	Remove and inspect valve; must move freely & be free of debris.
	2. Low voltage.	Check incoming line voltage while pump is running.
	3. Excessive rotor or vane wear.	Check rotor & vanes for excessive wear or damage.*
	4. Debris in pump cavity.	Clean debris from pump cavity.
Motor overheats.	1. Pumping high viscosity fluids.	These fluids can only be pumped for short periods of time (less than 30 minutes duty cycle).
	2. Clogged screen.	Remove and clean screen.
	3. Restricted suction pipe.	Remove and clean pipe.
	<b>4. Motor failure.</b>	<b>Return to place of purchase.</b>
	5. Pump rotor lock-up.	Clean and check pump rotor and vanes.*
Motor Inoperative.	1. No power	Check incoming power.
	2. Switch failure.	Replace switch (KIT120SW).
	<b>3. Motor failure.</b>	<b>Return to place of purchase.</b>
	<b>4. Thermal protector failure.</b>	<b>Return to place of purchase.</b>
	5. Incorrect/loose wiring.	Check wiring.
Fluid leakage.	1. Bad o-ring gasket.	Check all o-ring gaskets.
	2. Dirty shaft seal.	Clean seal & seal cavity.
	3. Bad shaft seal.	Replace seal.
	4. Incompatible fluid.	Refer wetted parts list to fluid manufacturer.
	5. Loose fasteners.	Tighten fasteners.
Pump hums but will not operate.	<b>1. Motor failure.</b>	<b>Return to place of purchase.</b>
	2. Broken rotor key.	Remove all debris & replace key.

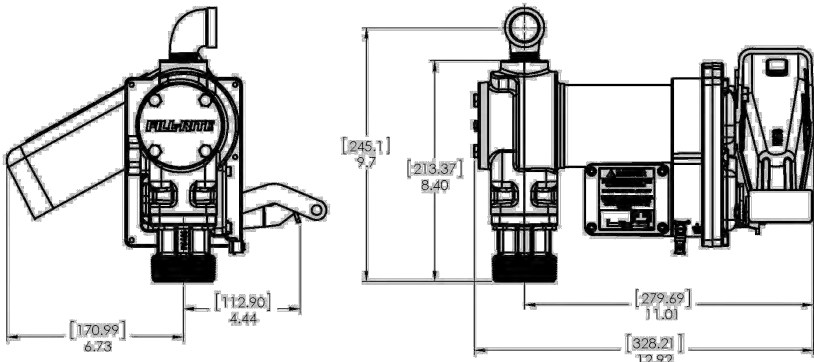
**Bold text** indicates service that cannot be performed by the owner; pump must be returned to the point of purchase for this type of service.

\* Repairs marked with an asterisk (\*) will require Repair Kit KIT120RG. Kit includes replacement rotor and new vanes, as well as a number of other important seals and components to complete the repair. Details of this kit are on page 18.



**WARNING!** Disconnect electrical power and relieve any pressure in the lines prior to servicing this pump! Failure to do so can result in damage to the equipment and personal injury or death!

## Dimensional Information



## Technical Information DC pumps (G/GE models)

Motor	FR1200 Series		FR2400 Series	
Power - AC 115, 230, 115/230 VAC	N/A		N/A	
HZ 50, 60, 50/60	N/A		N/A	
Power - DC 12, 24, 12/24	12		24	
HP (horsepower) rating	1/4 HP		1/4 HP	
Power cord length (feet)	18'		18'	
Power cord gauge (AWG)	12 AWG		12 AWG	
DC Power cord connectors	NONE		NONE	
Amps (FLA)	20		10	
RPM	2600		2600	
Duty cycle	30 min.		30 min.	
Thermal protection switch	Yes		Yes	
Circuit protection fuse	NONE		NONE	
Certification	UL, cUL Motor, ATEX, CE*, ANZEx, INMETRO		UL, cUL Motor, ATEX, CE*, ANZEx, INMETRO	
Pump	FR1200 Series		FR2400 Series	
Type- rotary, diaphragm, gear, vane	Rotary Vane		Rotary Vane	
GPM in supplied configuration	Up to 15		Up to 15	
GPM open flow - no hose or nozzle	Up to 18.5		Up to 18.5	
By-pass pressure rating (psi) - Max	16 psi		16 psi	
Dry vac (in Hg)	5		5	
Head- Max (Ft.)	37		37	
Anti-siphon valve	None		None	
Inlet - Size / Thread	1" NPT	1" BSPP*	1" NPT	1" BSPP*
Outlet – Size / Thread	3/4" NPT	3/4" BSPP*	3/4" NPT	3/4" BSPP*
Mount	2" Bung NPT	2" BSPT*	2" Bung NPT	2" BSPT*
Material -pump housing	Cast Iron		Cast Iron	
Material- wetted material	BUNA-N		BUNA-N	
Rotor material	Powdered Iron		Powdered Iron	
Rotor vane material	Sintered Bronze		Sintered Bronze	
Compatible fluids	Diesel, gasoline, BioDiesel to B20, E15, Kerosene		Diesel, gasoline, BioDiesel to B20, E15, Kerosene	
Strainer Mesh Size	20 x 20		20 x 20	
Warranty	2 Years		2 Years	
Certification	ATEX, CE*, ANZEx, INMETRO		ATEX, CE*, ANZEx, INMETRO	

\* CE certified models: see page 20

## Technical Information DC pumps (G/GE models)

Motor	FR4200 Series		FR4400 Series	
Power - AC 115, 230, 115/230	N/A		N/A	
HZ 50, 60, 50/60	N/A		N/A	
Power - DC 12, 24, 12/24	12		24	
HP (horsepower) rating	1/4 HP		1/4 HP	
Power cord length (feet)	18'		18'	
Power cord gauge (AWG)	12 AWG		12 AWG	
DC Power cord connectors	NONE		NONE	
Amps (FLA)	20		10	
RPM	2600		2600	
Duty cycle	30 min.		30 min.	
Thermal protection switch	Yes		Yes	
Circuit protection fuse	NONE		NONE	
Certification	UL, cUL Motor, ATEX, CE*, ANZEx, INMETRO		ATEX, CE*, ANZEx, INMETRO	
Pump	FR4200 Series		FR4400 Series	
Type- rotary, diaphragm, gear, vane	Rotary Vane		Rotary Vane	
GPM in supplied configuration	Up to 20		Up to 20	
GPM open flow - no hose or nozzle	21		Up to 20	
By-pass pressure rating (psi) - Max	16 psi		16 psi	
Dry vac (in Hg)	5		5	
Head- Max (Ft.)	37		37	
Anti-siphon valve	None		None	
Inlet - Size / Thread	1" NPT	1" BSPP*	1" NPT	1" BSPP*
Outlet - Size / Thread	1" NPT	1" BSPP*	1" NPT	1" BSPP*
Mount	2" Bung NPT	2" BSPT*	2" Bung NPT	2" BSPT*
Material -pump housing	Cast Iron		Cast Iron	
Material- wetted material	BUNA-N		BUNA-N	
Rotor material	Powdered Iron		Powdered Iron	
Rotor vane material	Sintered Bronze		Sintered Bronze	
Compatible fluids	Diesel, gasoline, BioDiesel to B20, E15, Kerosene		Diesel, gasoline, BioDiesel to B20, E15, Kerosene	
Strainer Mesh Size	20 x 20		20 x 20	
Warranty	2 Years		2 Years	
Certification	ATEX, CE*, ANZEx, INMETRO		ATEX, CE*, ANZEx, INMETRO	

\* CE certified models: see page 20



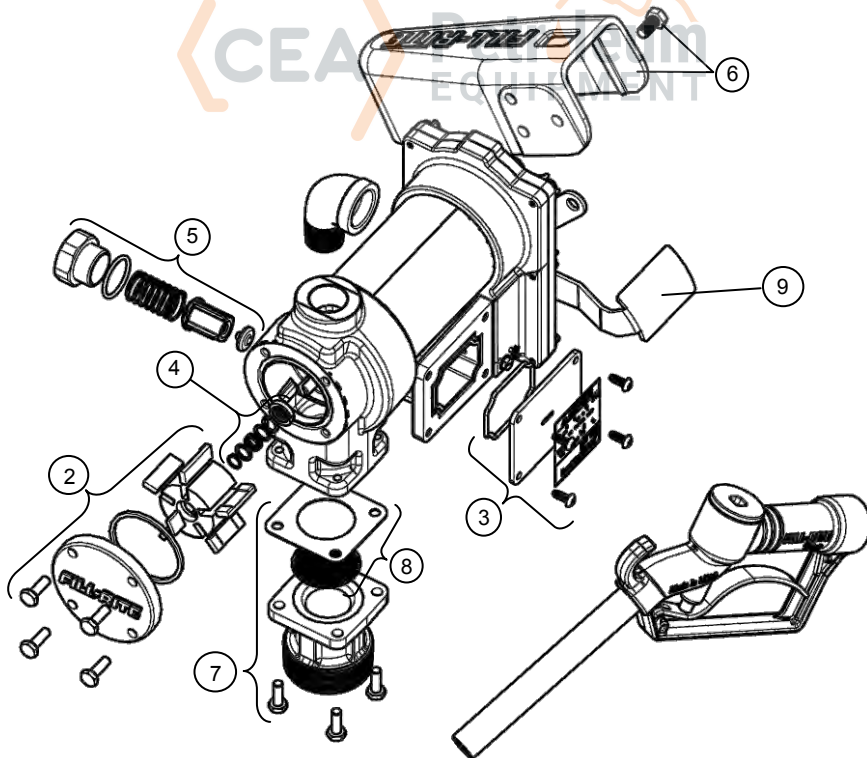
## Technical Information AC Pumps

Motor	FR600	SD600
Power -AC 115, 230, 115/230	115 VAC	115 VAC
HZ 50, 60, 50/60	60 HZ	60 HZ
Power - DC 12, 24, 12/24	N/A	N/A
HP (horsepower) rating	1/6 HP	1/6 HP
Power cord length (feet)	N/A	N/A
Power cord gauge (AWG)	N/A	N/A
DC Power cord	N/A	N/A
Amps (FLA)	2.0 A	2.0 A
RPM	2000	2000
Duty cycle	30 min.	30 min.
Thermal protection switch	Yes	Yes
Circuit protection fuse	None	None
Certification	UL/cUL	UL/cUL
Pump	FR600	SD600
Type- rotary, diaphragm, gear, vane	Rotary Vane	Rotary Vane
GPM in supplied configuration	Up to 14.8	Up to 14.8
GPM open flow - no hose or nozzle	Up to 17.4	Up to 17.4
By-pass pressure rating (psi) - Max	16 psi	16 psi
Dry vac (in Hg)	5	5
Head- Max (Ft.)	37	37
Anti-siphon valve	None	None
Inlet - Size / Thread	1" NPT	1" NPT
Outlet – Size / Thread	1" NPT	1" NPT
Mount	2" Bung (NPT)	2" Bung (NPT)
Material -pump housing	Cast Iron	Cast Iron
Material- wetted material	BUNA-N	BUNA-N
Rotor material	Powdered Iron	Powdered Iron
Rotor vane material	Sintered Bronze	Sintered Bronze
Compatible fluids	Diesel, gasoline, BioDiesel up to B20, E15, Kerosene	Diesel, gasoline, BioDiesel up to B20, E15, Kerosene
Strainer Mesh Size	20 x 20	20 x 20
Warranty	2 Years	1 Years
Certification	UL/cUL	UL/cUL

## Kits and Parts

#	Kit	Description	Parts
1	KIT120BD*	BioDiesel Kit*	O-ring seal, bypass valve poppet, bypass cap seal, inlet seal
2	KIT120RG	Rotor & Vane Kit	Rotor cover, rotor, vanes, rotor key, O-ring seal, attaching hardware
3	KIT120JC	Junction Cover Kit	Junction cover, seal, fasteners
4	KIT120SL	Seal Kit	O-ring, shaft seals, retainer clip
5	KIT120BV	By-Pass Service Kit	Screen, bypass valve, valve spring, bypass cap, O-ring seal
6	KIT120NB	Nozzle Boot Kit	Nozzle boot, attaching hardware
7	KIT120BG	Inlet Flange Kit	Inlet flange (bung), attaching hardware, inlet seal, screen
8	KIT120SG	Inlet Gasket and Screen	Gasket for inlet (bung) and screen
9	KIT120SW	Switch Lever Kit	Switch lever, mounting hardware

\*KIT120BD not called out in diagram below.



## Accessories

3/4" Accessories	Description
FRHMN075S	3/4" Manual Aluminum Nozzle
N075DAU10	3/4" Automatic Nozzle
807CMK	800 Series Mechanical Meter (Gallons)
807CLMK	800 Series Mechanical Meter (Liters)
700F3135	3/4" x 12' Hose, UL
FRH07512	3/4" x 12' Hose
FRH07514	3/4" x 14' Hose
FRH07520	3/4" x 20' Hose
S075H1314	3/4" Multi-Plane Swivel
1200KTG9075	3/4" Filter Head (for use with F18 filters)
1" Accessories	Description
FRHMN100S	1" Manual Aluminum Nozzle
N100DAU10	1" Automatic Nozzle
N100DAU13	1" Ultra-High Flow Automatic Nozzle
901CMK4200	900 Series Mechanical Meter (Gallons)
901CLMK4200	900 Series Mechanical Meter (Liters)
900CD	900 Series Digital Meter (Programmable)
900CDP	900 Series Digital Meter with Integral Pulsar (Programmable)
300F7773	1" x 12' Hose, UL
FRH10012	1" x 12' Hose
FRH10014	1" x 14' Hose
FRH10020	1" x 20' Hose
S100H1315	1" Multi-Plane Swivel
700ACCF7017	1" Filter Head (for use with F40 filters)



900CD



N100DAU13



700ACCF7017

## Safety Testing Approvals

The **Fill-Rite** line of pumps have been safety tested for compliance to the standards set forth by Underwriters Laboratories, ATEX, ANZEx, INMETRO, and IEx.



Model Series	ATEX	ANZEx	IEx
	94/9/EC	AS 2380.1 AS 2380.2 AS 1939	IEC 60079-0 IEC 60079-1
FR1200GE	X	X	X
FR2400GE	X	X	X
FR4200GE	X	X	X
FR4400GE	X	X	X
Certification Date	24-May-12	30-May-12	31-Aug-12

94/9/EC (until April 19, 2016), and 2014/34/EU (after April 20, 2016): Equipment and Protective Systems Intended for Use In Potentially Explosive Atmospheres.

AS2380.1: Electrical Equipment for Explosive Atmospheres - Explosion - Protection Techniques - Part 1: General Requirements.

AS2380.2: Electrical Equipment for Explosive Atmospheres - Explosion - Protection Techniques - Part 2: Flameproof enclosure d. (Class I Group D)

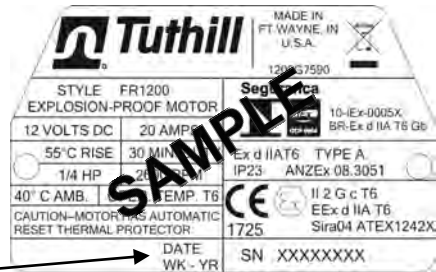
AS1939: Degrees of Protection Provided by Enclosures of Electrical Equipment.

IEC 60079-0: Explosive Atmospheres - Part 0: Equipment - General Requirements.

IEC 60079-0: Explosive Atmospheres - Part 1: Equipment Protection by Flameproof Enclosures d. (Class I Group D)

### Motor Tag Information

The Motor Tag on your Fill-Rite pump contains important technical and performance information. Be certain this label remains affixed to the pump at all times.



Date stamp location

Visit us on the web at:

[www.fillrite.com](http://www.fillrite.com)

Learn more about Tuthill Corporation and our family of high quality, value minded products at:

[www.tuthill.com](http://www.tuthill.com)

# FILL-RITE

8825 Aviation Drive  
Ft. Wayne, IN 46809  
1-800-634-2695

*Manual de instalación, funcionamiento y seguridad  
para los propietarios*

---

**FILL-RITE**®

**Bombas de transferencia de CC de las series FR1200G  
FR2400G / FR4200G / FR4400G / SD1200G**

**Bombas de transferencia de CA de la serie FR600G**

---



## Índice

Información de seguridad .....	3
Instalación .....	3
Cableado eléctrico de CC .....	6
Diagrama de cableado de CC .....	9
Cableado eléctrico de CA .....	10
Diagrama de cableado de CA .....	11
Instrucciones de operación .....	12
Cierre con candado .....	12
Solución de problemas .....	13
Información de dimensiones .....	14
Información técnica de CC (serie 1200 / 2400) .....	15
Información técnica de CC (serie 4200 / 4400) .....	16
Información técnica de CA .....	17
Juegos y piezas .....	18
Accesorios .....	19
Aprobaciones y certificaciones de seguridad .....	20
Información de la etiqueta del motor .....	20

## ¡Gracias!

Gracias por su compra. Su producto Fill-Rite® cuenta con más de 80 años de experiencia en la fabricación de bombas que lo respaldan, lo que le otorgará el valor que viene con un rendimiento superior, un diseño fácil de usar, una vida útil prolongada y una ingeniería simple y sólida. Experiencia que le dará tranquilidad.

*Bombee con el corazón*

## Acerca de este manual

Desde el concepto inicial y el diseño hasta el producto final, la bomba Fill-Rite está fabricada para darle años de servicio sin problemas. Para garantizar que proporcione dicho servicio, **es fundamental que lea este manual por completo antes que intente instalar o usar su nueva bomba.**

Familiarícese con los términos y diagramas, y preste mucha atención a las áreas destacadas con las siguientes etiquetas:



**¡ADVERTENCIA!** Destaca un área en que se pueden producir lesiones corporales e incluso la muerte si no se siguen las instrucciones de manera adecuada. También se pueden producir daños mecánicos.



**¡IMPORTANTE!** Estos cuadros contienen información que ilustra un punto que podría ahorrar tiempo, ser clave para la operación adecuada o clarificar un paso.



**¡PRECAUCIÓN!** No poner atención al aviso de "Precaución" puede provocar daños en los equipos.

En Tuthill, su satisfacción con nuestros productos es primordial. Si tiene cualquier duda o necesita asistencia con nuestros productos, comuníquese con nosotros al 1-800-634-2695 (lunes a viernes de 8 a.m. a 5 p.m., hora del Este).

## Información de seguridad



**¡ADVERTENCIA!** El cableado eléctrico SOLO lo debe realizar un electricista con licencia conforme a los códigos de electricidad locales, estatales y nacionales NEC/ANSI/NFPA 70, NFPA 30 y NFPA 30A, según corresponda para el uso que se le dará a la bomba. Se deben utilizar conductos rígidos roscados, conectores sellados y sellos de conductor donde corresponda. La bomba debe estar debidamente conectada a tierra. La instalación o el uso incorrectos de esta bomba pueden provocar lesiones graves o la muerte.



**¡ADVERTENCIA!** Para garantizar una operación segura y adecuada de su equipo, es fundamental leer y cumplir todas las siguientes precauciones y advertencias de seguridad. La instalación o el uso incorrectos de este producto pueden provocar lesiones graves o la muerte.

- **NUNCA** fume cerca de la bomba ni la utilice cerca de una llama expuesta mientras bombea un líquido inflamable. Se puede producir un incendio.
- Se debe utilizar un filtro en la salida de la bomba para garantizar que ningún material extraño se transfiera al tanque de combustible. Recomendamos los filtros Fill-Rite para obtener mejores resultados.
- Las juntas de tuberías roscadas y las conexiones se deben sellar con un sellador o cinta selladora adecuados para minimizar la posibilidad de filtraciones.
- Los tanques de almacenamiento deben estar correctamente anclados para evitar su desplazamiento o volcamiento cuando estén llenos o vacíos.
- Para reducir la acumulación de electricidad estática, utilice solo un tubo conductor flexible para cableado estático cuando bombee líquidos inflamables y mantenga la boquilla de llenado en contacto con el recipiente que se esté llenando durante el proceso de llenado.
- El motor de la bomba está equipado con protección contra sobrecarga térmica; si se sobrecalienta, el motor se apagará para evitar daños en los devanados. Si esto sucede:
  - Las bombas de las series 2400, 4400, 600 y SD600 se restablecerán automáticamente cuando la bomba se enfríe.
  - Las bombas de las series 1200 y 4200 se deben restablecer manualmente para que funcionen nuevamente. Espere hasta que el motor se enfríe y apague el interruptor para restablecerlo.



**¡ADVERTENCIA!** Este producto no se debe utilizar para transferir líquidos a ningún tipo de aeronave.



**¡ADVERTENCIA!** Este producto no es apto para su uso con líquidos destinados al consumo humano o líquidos que contengan agua.

## Instalación

La bomba Fill-Rite está diseñada para instalarse en un tanque sobre patines con el reborde de entrada roscado que se proporciona con la bomba (consulte los diagramas adjuntos). Su bomba cuenta con una válvula de derivación integral que vuelve a hacer circular el líquido cuando la bomba funciona con la boquilla cerrada.



**¡ADVERTENCIA!** En aplicaciones de tanque sobre patines, confirme que el tanque esté correctamente asegurado de manera que no se pueda desplazar o mover cuando esté lleno o vacío.



**¡PRECAUCIÓN!** No utilice válvulas de retención o de contención adicionales, a menos que estas tengan incorporada una válvula de alivio de presión adecuada. Tenga en cuenta que las válvulas de retención adicionales reducirán la velocidad del flujo.



**¡PRECAUCIÓN!** Se puede utilizar una tapa de llenado para retención de presión, con el fin de reducir la pérdida de combustible por evaporación, pero tenga presente que esto reducirá la velocidad del flujo.



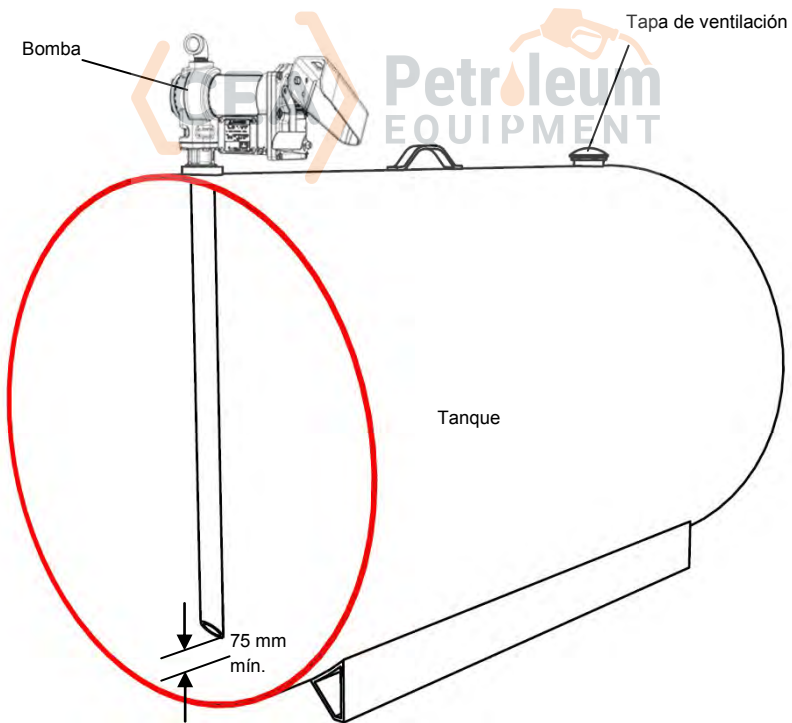
**¡PRECAUCIÓN!** Las juntas de tuberías roscadas y las conexiones se deben sellar con un sellador o cinta selladora adecuados para evitar la posibilidad de filtraciones.



**¡ADVERTENCIA!** Las bombas Fill-Rite están diseñadas para su uso con aplicaciones de tanques fijos y móviles. Mientras que las unidades con alimentación de CC son una excelente opción para aplicaciones móviles, es primordial anclar el tanque en donde se monta la bomba para evitar el movimiento mientras se traslada. Si no fija el tanque al vehículo, se puede provocar movimiento sin control, lo que provocará daños, lesiones y un posible incendio.

### Instalación típica del tanque sobre patines

La bomba se monta en el tapón de un tanque sobre patines a través de reborde de entrada. La tubería de succión se enrosca a la parte inferior del reborde de entrada y debe tener una longitud que la ubique a una distancia de al menos 75 mm del fondo del tanque. El tanque sobre patines debe incluir una tapa de ventilación.

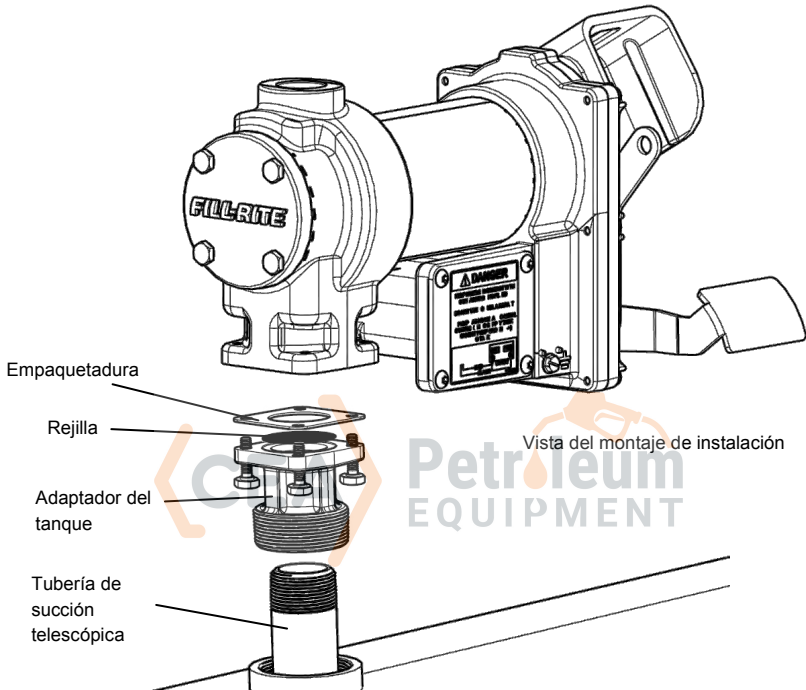




## Instalación típica del tanque sobre patines

### Materiales:

- Tubería de succión telescópica de 1", con una longitud tal que se ubique a una distancia de 75 mm del fondo del tanque cuando se atornille en el adaptador de este, el que a su vez se atornilla en el reborde del tanque (consulte el diagrama **INSTALACIÓN DEL TANQUE SOBRE PATINES**).
- Sellador de juntas de tubería roscada adecuado para la aplicación.



Vista del montaje de instalación

### Procedimiento de instalación :

1. Enrosque la tubería de 1" en el adaptador del tanque. Selle las roscas para impermeabilizarlas con un sellador apropiado.

(Figura 1)

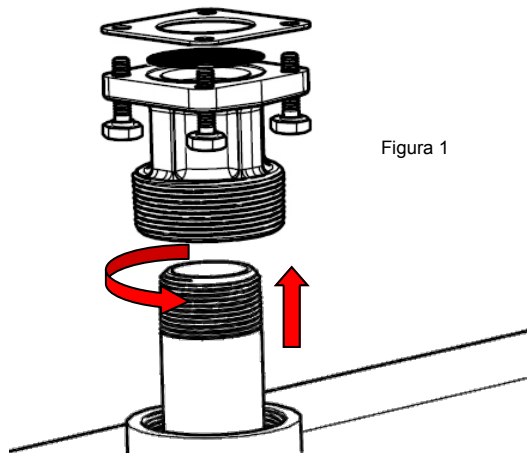
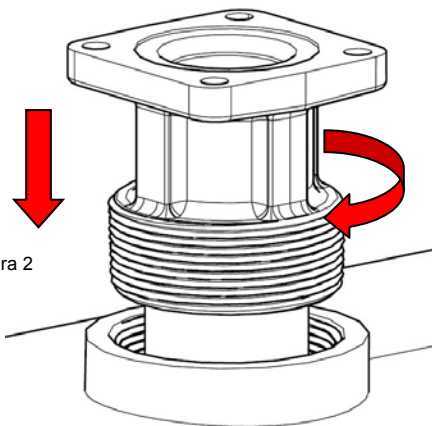


Figura 1

## Instalación típica del tanque sobre patines (continuación)

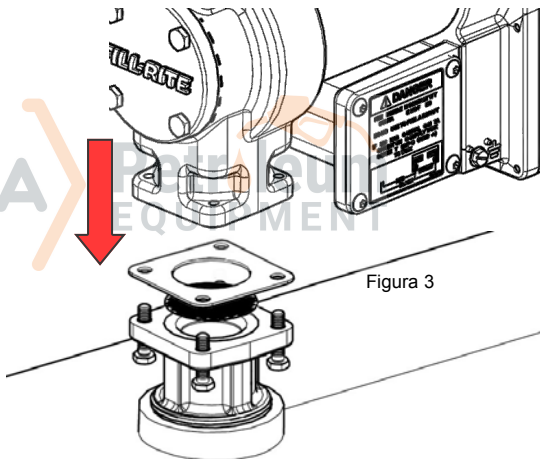
- Atornille el reborde de entrada (con la tubería de succión) en el reborde del tanque; selle las roscas para impermeabilizarlas con un sellador de roscas apropiado. (Figura 2)

Figura 2



- Monte la bomba en el adaptador y asegúrese de que el sello y la rejilla se instalen como se muestra. (Figure 3).

Figura 3



## Cableado eléctrico

### Procedimiento de cableado de CC

Bombas de transferencia de CC de las series FR1200G / FR2400G / FR4200G / FR4400G / SD1202G



**¡PRECAUCIÓN!** Las bombas con alimentación de CC están diseñadas para funcionar ya sea con 12 o 24 V CC (según el modelo). Cuando corresponda, use el cable de batería incluido para suministrar energía a la bomba desde una batería de 12 o 24 V CC. Se debe instalar un fusible de 30 amperios (20 amperios en motores de 24 V CC) en el cable de la batería (consulte el diagrama de cableado en la página 9) para proteger el cable en caso de un cortocircuito eléctrico.



**¡PRECAUCIÓN!** La caída de voltaje en el cableado varía según la distancia desde la batería a la bomba y del calibre del cable que se usa. Si la distancia es mayor que 6,1 metros, consulte los códigos nacionales, internacionales o locales para garantizar que el cable que se use sea del tamaño correcto para esta aplicación.

## Instrucciones antes de proceder con el cableado de CC

La bomba debe estar conectada eléctricamente al tanque de suministro o al bastidor del vehículo. Para conectar eléctricamente la bomba, retire el tornillo de conexión verde ubicado junto a la cubierta de la caja de conexiones. Inserte este tornillo a través del ojal del conjunto de cable de conexión verde que se proporciona y vuelva a sujetarlo firmemente a la bomba. Se debe quitar el aislamiento del otro extremo del cable y se debe conectar firmemente el lado sin conexión al bastidor del vehículo o remolque, o al tanque sobre patines.



**¡ADVERTENCIA!** No conecte la energía positiva o negativa al tornillo o cable verdes, ya que esto puede provocar un incendio.

### Instrucciones de cableado (consulte la Figura 4, Página 8)

1. Retire la cubierta de la caja de conexiones eléctricas de la bomba y enderece los 2 cables para que se pueda tener acceso a los extremos de los cables sin protección desde fuera de la caja de conexiones.
2. Atornille el conector de cable provisto en la abertura para el conducto NPT\* en la caja de conexiones de la bomba.
3. Quite 150 mm del recubrimiento exterior de un extremo del cable eléctrico provisto; tenga cuidado de no dañar el aislamiento negro y rojo del cable.
4. Suelte la tuerca de conexión del cable y pase el extremo sin protección del cable provisto a través del conector. Apriete la tuerca de conexión del cable.
5. Quite 13 mm del aislamiento de los extremos de los cables rojo y negro. Con las tuercas para cables que se proporcionan, conecte estos cables a los cables de la bomba respetando los colores. Asegúrese de que ningún cable sin protección quede expuesto.
6. Pliegue los cables en la caja de conexiones y vuelva a colocar la cubierta. Asegúrese de que la empaquetadura de la cubierta esté en su lugar. Asegúrese de que todos los tornillos estén bien puestos, de modo que no haya espacio entre la cubierta y la caja de conexiones (consulte el cuadro de información "¡IMPORTANTE!" y el diagrama en la página 10).

### Cableado hacia el sistema eléctrico de un vehículo (consulte el diagrama de cableado, página 9)

1. Pase los cables eléctricos hasta la fuente del sistema de energía del vehículo; afirme los cables según sea necesario y protéjalos de los bordes afilados, el calor y todo lo que pudiera dañarlos.
2. Para determinar si el sistema eléctrico de un vehículo tiene conexión a tierra **negativa (-)** o **positiva (+)**, revise la marca del terminal que está conectado al bastidor del vehículo o al bloque del motor. El cable rojo de la bomba se conectará al borne positivo de la batería y el cable negro de la bomba se conectará al borne negativo de la batería.
3. Conecte un extremo del soporte del fusible en el extremo del cable de la bomba sin conexión a tierra. Realice una conexión eléctrica firme con el otro extremo del soporte del fusible hacia el lado sin conexión a tierra de la batería, **tan cerca de la batería como sea posible**. Con el cable restante de la bomba, realice una conexión eléctrica firme hacia el lado con conexión a tierra de la batería. Se recomienda el terminal de la batería o el extremo del cable de la batería.
4. Verifique todas las conexiones y asegúrese de que estén conectadas según las instrucciones y conforme a todos los códigos de electricidad. Instale el fusible de 30 amperios (20 amperios en instalaciones de 24 V CC) en el soporte del fusible. Ha completado la instalación.

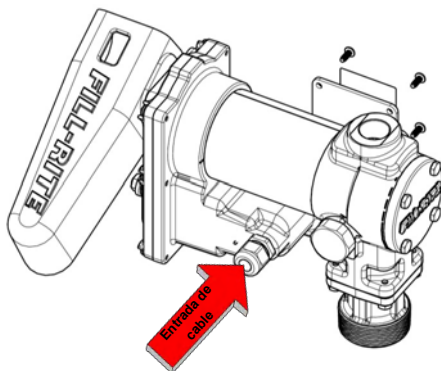
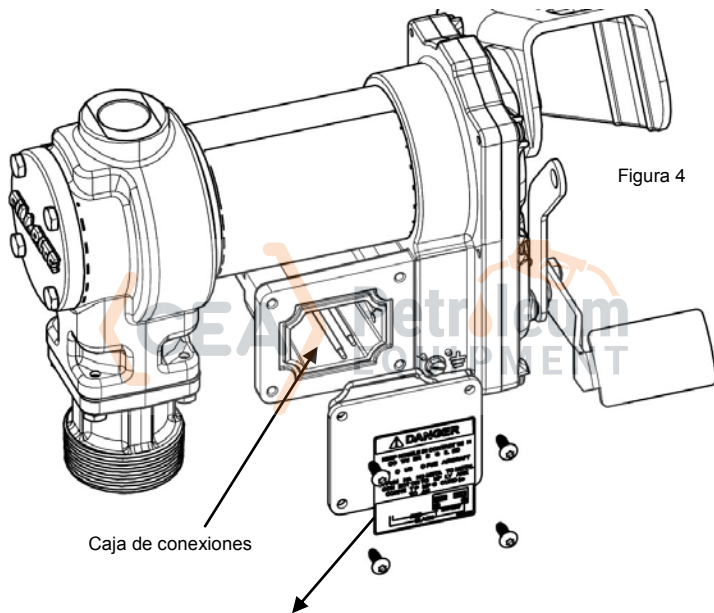


**¡ADVERTENCIA!** No intente encender la bomba por medio de un cable del vehículo de calibre inferior a 12, como el cable del encendedor de cigarrillos, ya que estos cables delgados se pueden sobrecalentar y provocar un incendio.

## Cableado de CC (continuación)

### Para tanques montados sobre patines

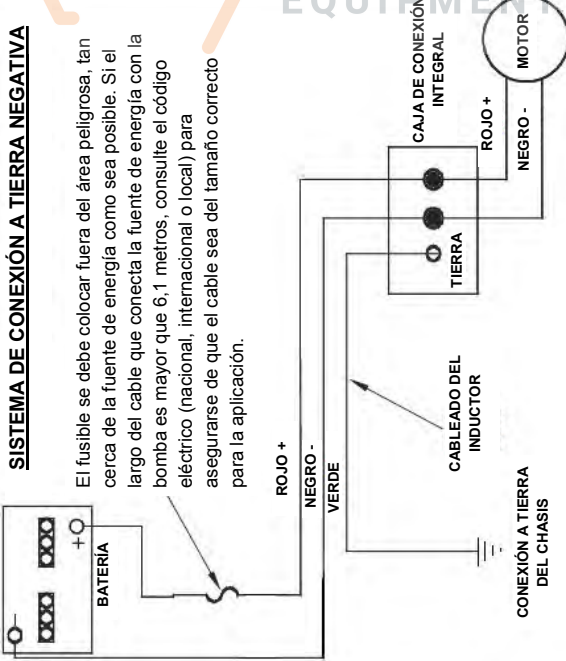
1. Pase los cables eléctricos hasta la fuente de energía; afirme los cables según sea necesario y protéjalos de los bordes afilados, el calor y todo lo que pudiera dañarlos.
2. Conecte un extremo del soporte del fusible al cable **rojo** de la bomba, **tan cerca de la batería o fuente de energía como sea posible**. Realice una conexión firme al terminal **positivo** de la fuente de energía con el otro extremo del soporte para fusibles. Conecte firmemente el cable **negro** de la bomba al terminal **negativo** de la fuente de energía.
3. Verifique todas las conexiones y asegúrese de que estén conectadas según las instrucciones y conforme a todos los códigos de electricidad. Instale el fusible de 30 amperios (20 amperios en instalaciones de 24 V CC) en el soporte del fusible. Ha completado la instalación.



## Diagrama de cableado de CC

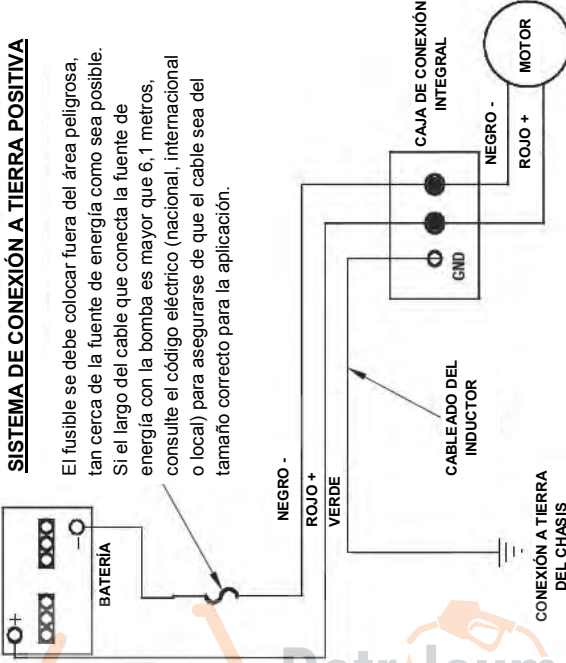
### SISTEMA DE CONEXIÓN A TIERRA NEGATIVA

El fusible se debe colocar fuera del área peligrosa, tan cerca de la fuente de energía como sea posible. Si el largo del cable que conecta la fuente de energía con la bomba es mayor que 6,1 metros, consulte el código eléctrico (nacional, internacional o local) para asegurarse de que el cable sea del tamaño correcto para la aplicación.



### SISTEMA DE CONEXIÓN A TIERRA POSITIVA

El fusible se debe colocar fuera del área peligrosa, tan cerca de la fuente de energía como sea posible. Si el largo del cable que conecta la fuente de energía con la bomba es mayor que 6,1 metros, consulte el código eléctrico (nacional, internacional o local) para asegurarse de que el cable sea del tamaño correcto para la aplicación.



# Instrucciones de cableado de CA

## Bombas de transferencia de CA FR600G / SD602G



**¡ADVERTENCIA!** El cableado eléctrico SOLO debe realizarlo un electricista con licencia conforme a los códigos de electricidad locales, estatales y nacionales NEC/ANSI/NFPA 70, NFPA30 y NFPA 30A, según corresponda para el uso que se le dará a la bomba. La bomba debe estar debidamente conectada a tierra. La instalación o el uso incorrectos de esta bomba pueden provocar lesiones graves o la muerte.



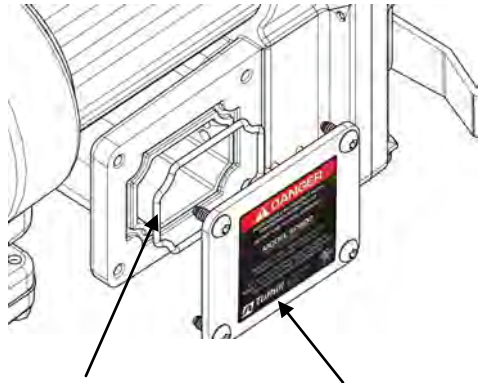
**¡PRECAUCIÓN!** Todas las bombas se deben operar según el voltaje especificado en la placa de identificación. Se debe suministrar energía de CA a la bomba desde un circuito dedicado con protección de circuitos de 15 amperios. Este circuito no debe alimentar a ningún otro equipo. Los cables deben tener el calibre suficiente para transportar la corriente adecuada para la bomba (mínimo, calibre 12). La caída de voltaje variará con la distancia a la bomba y el calibre del cable. Consulte National Electrical Code (NEC) o los códigos locales para obtener información sobre la compensación de caídas de voltaje y asegurarse de que está utilizando un cable del calibre correcto para su aplicación.

### Procedimiento de cableado de CA

1. Retire la cubierta de la caja de conexiones y enderece los cables para asegurarse de que se puede tener acceso a los extremos de los cables sin protección desde fuera de la caja de conexiones.
2. Instale un conducto rígido y el cableado apropiado desde la fuente de energía hasta la caja de conexiones para mantener la integridad de la fabricación a prueba de explosiones. Se debe suministrar la energía desde un disyuntor dedicado de 15 amperios; este circuito no debe alimentar a ningún otro equipo.
3. Conecte los cables de la bomba a las tuberías de suministro de energía según el diagrama (página 11). Asegúrese de aislar correctamente las conexiones con tuercas para hilos u otros conectores adecuados. Tenga presente que el cable de conexión a tierra **DEBE** estar conectado (la conexión del cable a tierra está dentro de la caja de conexiones; consulte la Figura 5, página 11).
4. Coloque los cables de vuelta en la caja de conexiones en forma de pliegues y vuelva a colocar la cubierta. Asegúrese de que la empaquetadura de la cubierta esté en su lugar.



**¡IMPORTANTE!** Asegúrese de que la empaquetadura de la cubierta de la caja de conexiones esté en su lugar y que los tornillos bajen firmemente la cubierta sobre la caja de conexiones. No deba haber separación entre la caja de conexiones y su cubierta. El sello debe ser impermeable para evitar que entre humedad a la caja de conexiones.

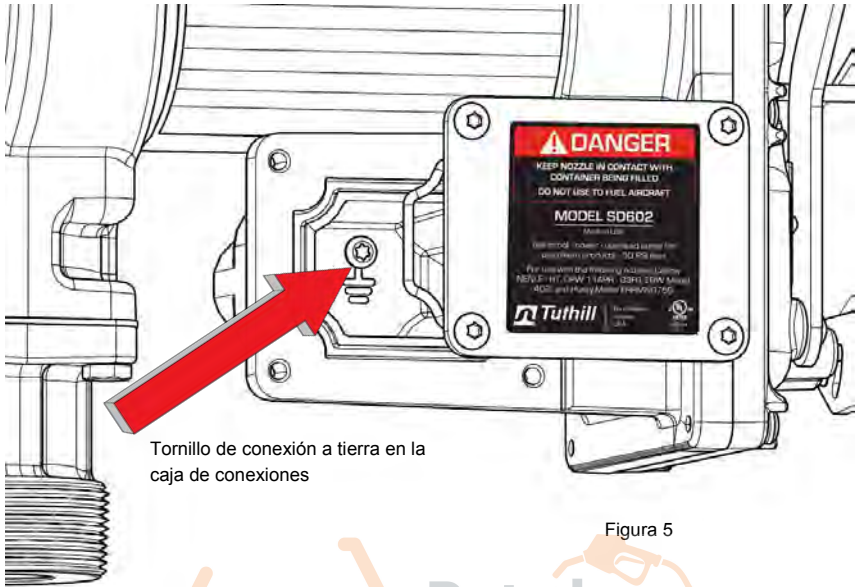


Empaquetadura de la caja de conexiones

Cubierta de la caja de conexiones

# Caja de conexiones de la bomba de CA

(bombas de transferencia de CA de la serie FR600G)



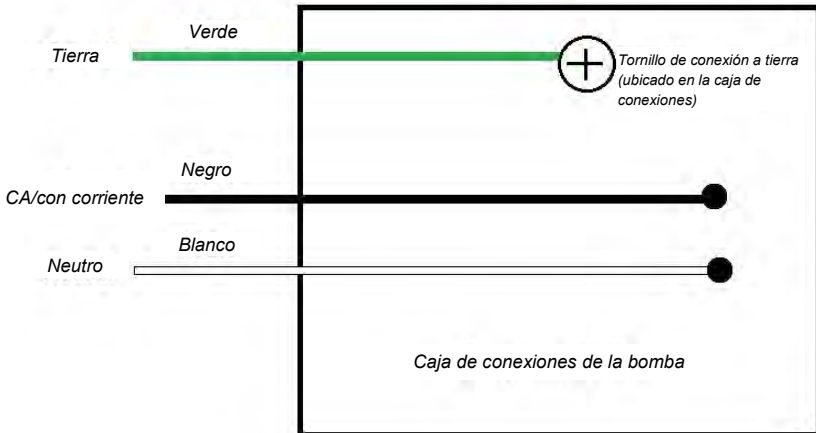
Tornillo de conexión a tierra en la caja de conexiones

Figura 5

## Diagrama de cableado de CA

(bombas de transferencia de CA de la serie FR600G)

115 Vca Diagrama de cableado



**¡ADVERTENCIA!** El cable de conexión a tierra en el cableado de suministro DEBE estar conectado al tornillo de conexión a tierra dentro de la caja de conexiones.



## Instrucciones de operación



**¡ADVERTENCIA!** Mantenga siempre la boquilla en contacto con el recipiente que se esté llenando **durante el proceso de llenado** para reducir la posibilidad de acumulación de electricidad estática.

1. Si está equipado, restablezca el medidor a "0" (no lo restablezca mientras esté en uso, ya que puede provocar daños en el medidor).
2. Retire la boquilla dispensadora de la envoltura de la boquilla.
3. Mueva la palanca del interruptor a la posición "ENCENDIDO" para encender la bomba (Figura 5).
4. Inserte la boquilla dispensadora en el recipiente que se llenará.
5. Utilice la boquilla para dispensar el líquido; suelte la boquilla cuando haya dispensado la cantidad deseada de líquido.

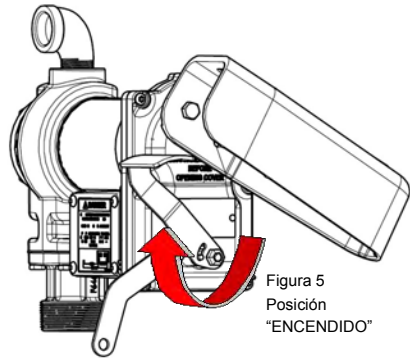


Figura 5  
Posición  
"ENCENDIDO"

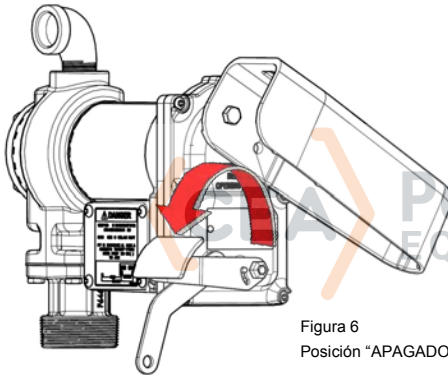


Figura 6  
Posición "APAGADO"

6. Mueva la palanca del interruptor a la posición "APAGADO" (Figura 6) para apagar la bomba.
7. Retire la boquilla dispensadora del recipiente y guárdela en la envoltura de la boquilla.

## Cierre con candado

Para mayor seguridad, la boquilla de la bomba Fill-Rite se puede asegurar con candado a la bomba. Cuando la bomba está apagada, y la boquilla está en la posición de almacenamiento, se puede insertar un candado en la conexión de la cerradura y la abertura del mango de la boquilla.

La conexión de la cerradura está ubicada en el lado de la boquilla de la bomba y se puede adaptar para que funcione con varias boquillas (Figura 7).

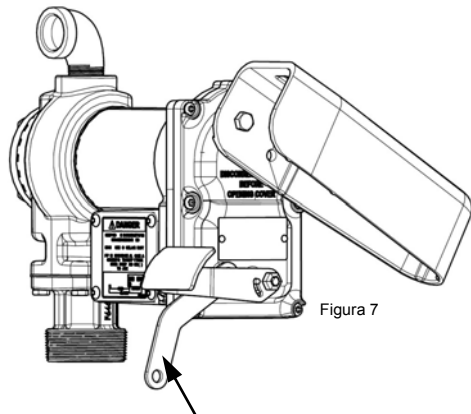


Figura 7

Conexión de cerradura



## Solución de problemas

La siguiente guía de solución de problemas ofrece asistencia de diagnóstico básico en caso de que enfrente un problema con el funcionamiento de su producto Fill-Rite.

Si tiene cualquier duda en cuanto a la instalación, operación o mantenimiento de su producto, no dude en comunicarse con nuestro Departamento de Servicio al Cliente al 1-800-634-2695 (lunes a viernes de 8 AM a 5 PM, hora del Este). También puede encontrarnos en nuestro sitio web en "www.fillrite.com".



**¡ADVERTENCIA! NO** abra ni intente reparar el motor de su bomba Fill-Rite. Devuélvalo al lugar de compra si requiere servicio técnico. Si abre la carcasa del motor, puede poner en peligro la integridad de la fabricación a prueba de explosión y anulará cualquier garantía y certificación existentes.



**¡ADVERTENCIA!** Asegúrese de que la bomba no reciba ningún tipo de alimentación eléctrica antes de realizar cualquier servicio técnico o mantenimiento.

Síntoma	Causa	Solución
La bomba no ceba.	1. Problema de la tubería de succión.	Verifique si hay filtraciones u obstrucciones en la tubería de succión.
	2. Válvula de derivación abierta.	Retire y revise la válvula; esta se debe mover libremente y no debe tener residuos.
	3. Bloqueo de las aspas.	Verifique si hay muescas, rebabas o desgaste en las aspas y ranuras.*
	4. Desgaste excesivo del rotor o del aspa.	Revise si hay daño o desgaste excesivo en el rotor y las aspas; reemplace de ser necesario.*
	5. Bloqueo de vapor.	Reduzca la distancia vertical y horizontal desde la bomba al líquido; retire la boquilla automática.
Capacidad baja.	1. Suciedad excesiva en la rejilla.	Retire y limpie la rejilla.
	2. Problema de la tubería de succión.	Verifique si hay filtraciones o restricciones en la tubería de succión; puede que sea muy pequeña, muy larga o no es hermética.
	3. Válvula de derivación bloqueada.	Retire y revise la válvula; esta se debe mover libremente y no debe tener residuos.
	4. Salida bloqueada.	Verifique si hay bloqueos en la salida de la bomba, el tubo flexible, la boquilla y el filtro.
	5. Bloqueo de las aspas.	Verifique si hay desgaste en las aspas y ranuras.*
	6. Desgaste excesivo del rotor o del aspa.	Revise si hay daño o desgaste excesivo en el rotor y las aspas; reemplace de ser necesario.*
	7. Daño en el tubo flexible o la boquilla.	Reemplace el tubo flexible o la boquilla.
	8. Filtro obstruido.	Reemplace el filtro.
	9. Nivel de líquido bajo.	Llene el tanque.
La bomba funciona lento.	1. Voltaje incorrecto.	Verifique el voltaje de línea de entrada mientras está funcionando la bomba.
	2. Bloqueo de las aspas.	Inspeccione si hay muescas, rebabas o desgaste en las aspas y ranuras.*
	3. Problema de cableado.	Verifique si hay conexiones sueltas.
	4. Problema del motor.	Devuelva al lugar de compra.

Consulte la página 14 para obtener explicaciones del texto en **negritas** y de los elementos marcados con \*.

## Solución de problemas (continuación)

El motor se detiene, el fusible se quema o el protector térmico se dispara repetidamente.	1. Válvula de derivación bloqueada.	Retire y revise la válvula; esta se debe mover libremente y no debe tener residuos.
	2. Voltaje bajo.	Verifique el voltaje de línea de entrada mientras está funcionando la bomba.
	3. Desgaste excesivo del rotor o del aspa.	Verifique si hay daño o desgaste excesivo en el rotor y las aspas.*
	4. Residuos en la cavidad de la bomba.	Elimine los residuos de la cavidad de la bomba.
Sobrecalentamiento del motor.	1. Bombeo de líquidos de alta viscosidad.	Estos líquidos solo se pueden bombear por períodos cortos de tiempo (menos de 30 minutos por ciclo de servicio).
	2. Rejilla obstruida.	Retire y limpie la rejilla.
	3. Tubería de succión restringida.	Retire y limpie la tubería.
	<b>4. Falla del motor.</b>	<b>Devuelva al lugar de compra.</b>
	5. Cierre del rotor de la bomba.	Limpie y verifique las aspas y el rotor de la bomba.*
El motor no está operativo.	1. No hay energía.	Verifique la energía de entrada.
	2. Falla del interruptor.	Reemplace el interruptor (KIT120SW).
	<b>3. Falla del motor.</b>	<b>Devuelva al lugar de compra.</b>
	<b>4. Falla del protector térmico.</b>	<b>Devuelva al lugar de compra.</b>
	5. Cableado suelto o incorrecto.	Verifique el cableado.
Filtración de líquido.	1. Empaquetadura de junta tórica defectuosa.	Verifique las empaquetaduras de la junta tórica.
	2. Sello del eje sucio.	Limpie el sello y la cavidad del sello.
	3. Sello del eje defectuoso.	Reemplace el sello.
	4. Líquido incompatible.	Envíe la lista de piezas húmedas al productor de líquidos.
	5. Sujetadores sueltos.	Apriete los sujetadores.
La bomba emite un zumbido pero no funciona.	<b>1. Falla del motor.</b>	<b>Devuelva al lugar de compra.</b>
	2. Llave del rotor rota.	Retire los residuos y reemplace la llave.

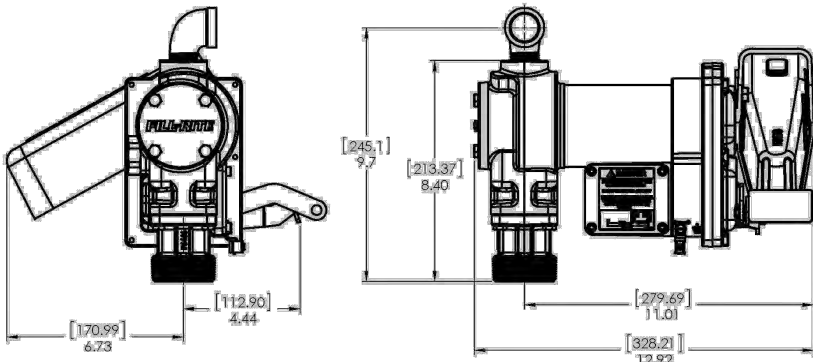
El texto en **negritas** indica reparaciones que no puede realizar el propietario, se debe regresar la bomba al punto de compra para realizar estas reparaciones.

\* Las reparaciones marcadas con un asterisco (\*) requieren el juego de reparación KIT120RG. Este juego incluye un rotor de reemplazo y aspas nuevas, además de una cantidad de otros sellos y componentes importantes para completar la reparación. Los detalles del juego se encuentran en la página 18.



**¡ADVERTENCIA!** Desconecte la alimentación eléctrica y alivie la presión de las tuberías antes de realizar mantenimiento a la bomba. No hacer esto puede provocar daños en los equipos y lesiones corporales o la muerte.

## Información de dimensiones



## Información técnica de las bombas de CC (modelos G/GE)

<b>Motor</b>	<b>Serie FR1200</b>		<b>Serie FR2400</b>	
Alimentación: CA 115, 230, 115/230 V CA	N/D		N/D	
HZ 50, 60, 50/60	N/D		N/D	
Alimentación: CC 12, 24, 12/24	12		24	
Clasificación de HP (potencia)	1/4 HP		1/4 HP	
Longitud del cable de alimentación (pies)	18'		18'	
Calibre del cable de alimentación (AWG)	12 AWG		12 AWG	
Conectores del cable de alimentación de CC	NINGUNO		NINGUNO	
Amperios (FLA)	20		10	
RPM	2600		2600	
Ciclo de servicio	30 min.		30 min.	
Interruptor de protección térmica	Sí		Sí	
Fusible de protección para circuitos	NINGUNO		NINGUNO	
Certificación	UL, motor cUL, ATEX, CE*, ANZEx, INMETRO		UL, motor cUL, ATEX, CE*, ANZEx, INMETRO	
<b>Bomba</b>	<b>Serie FR1200</b>		<b>Serie FR2400</b>	
Tipo: giratoria, diafragma, engranaje, aspa	Aspa giratoria		Aspa giratoria	
GPM en la configuración provista	Hasta 15		Hasta 15	
GPM de flujo abierto: sin tubo flexible o boquilla	Hasta 18,5		Hasta 18,5	
Clasificación de presión de derivación (barias): máx.	1,1 barias		1,1 barias	
Vacío en seco (mm Hg)	127		127	
Cabezal: máx. (pies)	37		37	
Válvula antisifón	Ninguno		Ninguno	
Entrada: Tamaño/rosca	1" NPT	1" BSPP*	1" NPT	1" BSPP*
Salida: Tamaño/rosca	3/4" NPT	3/4" BSPP*	3/4" NPT	3/4" BSPP*
Montaje	Tapón de 2" NPT	2" BSPT*	Tapón de 2" NPT	2" BSPT*
Material: carcasa de la bomba	Hierro fundido		Hierro fundido	
Material: material húmedo	BUNA-N		BUNA-N	
Material del rotor	Hierro pulverizado		Hierro pulverizado	
Material del aspa del rotor	Bronce sinterizado		Bronce sinterizado	
Líquidos compatibles	Diésel, gasolina, biodiésel hasta B20, E15, keroseno		Diésel, gasolina, biodiésel hasta B20, E15, keroseno	
Tamaño de malla del filtro	20 x 20		20 x 20	
Garantía	2 años		2 años	
Certificación	ATEX, CE*, ANZEx, INMETRO		ATEX, CE*, ANZEx, INMETRO	

Modelos certificados por CE: Consulte la página 20

## Información técnica de las bombas de CC (modelos G/GE)

Motor	Serie FR4200		Serie FR4400	
Alimentación: CA 115, 230, 115/230	N/D		N/D	
HZ 50, 60, 50/60	N/D		N/D	
Alimentación: CC 12, 24, 12/24	12		24	
Clasificación de HP (potencia)	1/4 HP		1/4 HP	
Longitud del cable de alimentación (pies)	18'		18'	
Calibre del cable de alimentación (AWG)	12 AWG		12 AWG	
Conectores del cable de alimentación de CC	NINGUNO		NINGUNO	
Amperios (FLA)	20		10	
RPM	2600		2600	
Ciclo de servicio	30 min.		30 min.	
Interruptor de protección térmica	Sí		Sí	
Fusible de protección para circuitos	NINGUNO		NINGUNO	
Certificación	UL, motor cUL, ATEX, CE*, ANZEx, INMETRO		ATEX, CE*, ANZEx, INMETRO	
Bomba	Serie FR4200		Serie FR4400	
Tipo: giratoria, diafragma, engranaje, aspa	Aspa giratoria		Aspa giratoria	
GPM en la configuración provista	Hasta 20		Hasta 20	
GPM de flujo abierto: sin tubo flexible o boquilla	21		Hasta 20	
Clasificación de presión de derivación (barías): máx.	1,1 barías		1,1 barías	
Vacío en seco (mm Hg)	127		127	
Cabezal: máx. (pies)	37		37	
Válvula antisifón	Ninguno		Ninguno	
Entrada: Tamaño/rosca	1" NPT	1" BSPP*	1" NPT	1" BSPP*
Salida: Tamaño/rosca	1" NPT	1" BSPP*	1" NPT	1" BSPP*
Montaje	Tapón de 2" NPT	2" BSPT*	Tapón de 2" NPT	2" BSPT*
Material: carcasa de la bomba	Hierro fundido		Hierro fundido	
Material: material húmedo	BUNA-N		BUNA-N	
Material del rotor	Hierro pulverizado		Hierro pulverizado	
Material del aspa del rotor	Bronce sinterizado		Bronce sinterizado	
Líquidos compatibles	Diésel, gasolina, biodiésel hasta B20, E15, keroseno		Diésel, gasolina, biodiésel hasta B20, E15, keroseno	
Tamaño de malla del filtro	20 x 20		20 x 20	
Garantía	2 años		2 años	
Certificación	ATEX, CE*, ANZEx, INMETRO		ATEX, CE*, ANZEx, INMETRO	

\* Modelos certificados por CE: Consulte la página 20

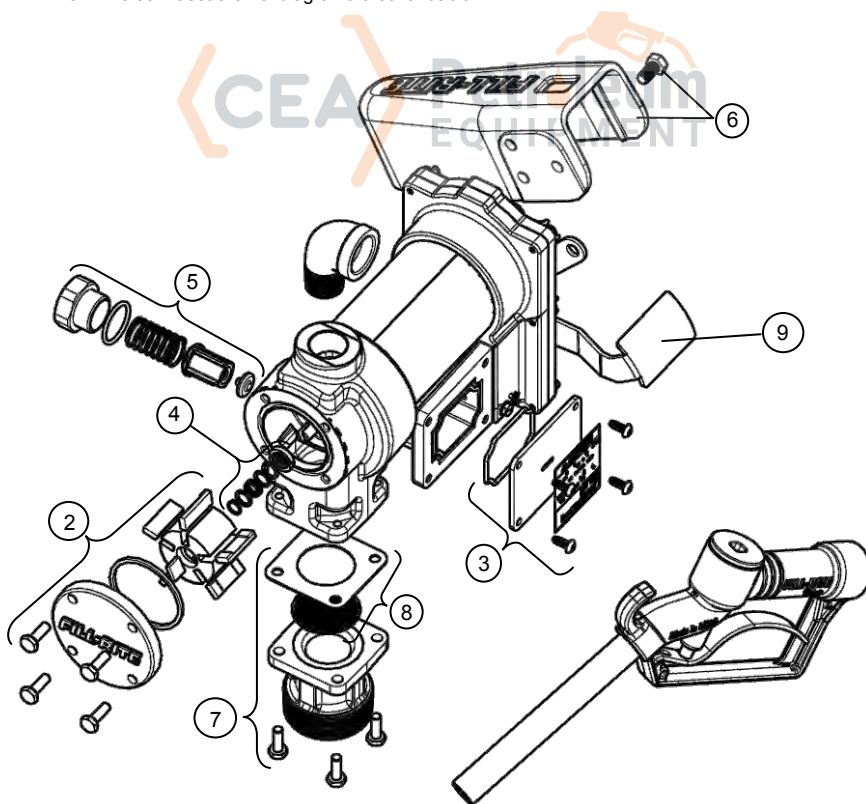
## Información técnica de las bombas de CA

<b>Motor</b>	<b>FR600</b>	<b>SD600</b>
Alimentación: CA 115, 230, 115/230	115 V CA	115 V CA
HZ 50, 60, 50/60	60 HZ	60 HZ
Alimentación: CC 12, 24, 12/24	N/D	N/D
Clasificación de HP (potencia)	1/6 HP	1/6 HP
Longitud del cable de alimentación (pies)	N/D	N/D
Calibre del cable de alimentación (AWG)	N/D	N/D
Cable de alimentación de CC	N/D	N/D
Amperios (FLA)	2.0 A	2.0 A
RPM	2000	2000
Ciclo de servicio	30 min.	30 min.
Interruptor de protección térmica	Sí	Sí
Fusible de protección para circuitos	Ninguno	Ninguno
Certificación	UL/cUL	UL/cUL
<b>Bomba</b>	<b>FR600</b>	<b>SD600</b>
Tipo: giratoria, diafragma, engranaje, aspa	Aspa giratoria	Aspa giratoria
GPM en la configuración provista	Hasta 14,8	Hasta 14,8
GPM de flujo abierto: sin tubo flexible o boquilla	Hasta 17,4	Hasta 17,4
Clasificación de presión de derivación (barias): máx.	1,1 barias	1,1 barias
Vacío en seco (mm Hg)	127	127
Cabezal: máx. (pies)	37	37
Válvula antisifón	Ninguno	Ninguno
Entrada: Tamaño/rosca	1" NPT	1" NPT
Salida: Tamaño/rosca	1" NPT	1" NPT
Montaje	Tapón de 2" (NPT)	Tapón de 2" (NPT)
Material: carcasa de la bomba	Hierro fundido	Hierro fundido
Material: material húmedo	BUNA-N	BUNA-N
Material del rotor	Hierro pulverizado	Hierro pulverizado
Material del aspa del rotor	Bronce sinterizado	Bronce sinterizado
Líquidos compatibles	Diésel, gasolina, biodiésel hasta B20, E15, Keroseno	Diésel, gasolina, biodiésel hasta B20, E15, Keroseno
Tamaño de malla del filtro	20 x 20	20 x 20
Garantía	2 años	1 años
Certificación	UL/cUL	UL/cUL

## Juegos y piezas

#	Juego	Descripción	Piezas
1	KIT120BD*	Juego de biodiésel*	Junta tórica, barra de válvula de desviación, sello de tapa de derivación, sello de entrada
2	KIT120RG	Juego de rotor y aspas	Cubierta del rotor, rotor, aspas, llave del rotor, sello de junta tórica, piezas metálicas de fijación
3	KIT120JC	Juego de cubierta de conexiones	Cubierta de conexiones, sello, sujetadores
4	KIT120SL	Juego de sellos	Junta tórica, sellos de eje, pinza de sujeción
5	KIT120BV	Juego de mantenimiento de derivación	Rejilla, válvula de derivación, resorte de la válvula, tapa de derivación, sello de junta tórica
6	KIT120NB	Juego de envoltura de boquilla	Envoltura de boquilla, piezas metálicas de fijación
7	KIT120BG	Juego de reborde de entrada	Reborde de entrada (tapón), piezas metálicas de fijación, sello de entrada, rejilla
8	KIT120SG	Empaquetadura de entrada y rejilla	Empaquetadura para entrada (tapón) y rejilla
9	KIT120SW	Juego de palanca del interruptor	Palanca del interruptor, piezas metálicas de montaje

\*KIT120BD no se muestra en el diagrama a continuación.



## Accesorios

Accesorios de 3/4"	Descripción
FRHMN075S	Boquilla manual de aluminio de 3/4"
N075DAU10	Boquilla automática de 3/4"
807CMK	Medidor mecánico de la serie 800 (galones)
807CLMK	Medidor mecánico de la serie 800 (litros)
700F3135	Tubo flexible de 3/4" x 3,7 m (12'), UL
FRH07512	Tubo flexible de 3/4" x 3,7 m (12')
FRH07514	Tubo flexible de 3/4" x 4,3 m (14')
FRH07520	Tubo flexible de 3/4" x 6,1 m (20')
S075H1314	Eslabón giratorio de capas múltiples de 3/4"
1200KTG9075	Cabezal de filtro de 3/4" (para uso con filtros F18)
Accesorios de 1"	Descripción
FRHMN100S	Boquilla manual de 1"
N100DAU10	Boquilla automática de 1"
N100DAU13	Boquilla automática de flujo ultra alto de 1"
901CMK4200	Medidor mecánico de la serie 900 (galones)
901CLMK4200	Medidor mecánico de la serie 900 (litros)
900CD	Medidor digital de la serie 900 (programable)
900CDP	Medidor digital de la serie 900 con generador de impulsos integral (programable)
300F7773	Tubo flexible 1" x 3,7 m (12'), UL
FRH10012	Tubo flexible de 1" x 3,7 m (12')
FRH10014	Tubo flexible de 1" x 4,3 m (14')
FRH10020	Tubo flexible de 1" x 6,1 m (20')
S100H1315	Eslabón giratorio de capas múltiples de 1"
700ACCF7017	Cabezal de filtro de 1" (para uso con filtros F40)



900CD



N100DAU13



700ACCF7017

## Aprobaciones de pruebas de seguridad

La línea de bombas **Fill-Rite** ha pasado pruebas de seguridad según los estándares establecidos por Underwriters Laboratories, ATEX, ANZEx, INMETRO y IEx.



Modelos de la serie	ATEX	ANZEx	IEx
	94/9/EC	AS 2380.1 AS 2380.2 AS 1939	IEC 60079-0 IEC 60079-1
FR1200GE	X	X	X
FR2400GE	X	X	X
FR4200GE	X	X	X
FR4400GE	X	X	X
Fecha de certificación	24-mayo-12	30-mayo-12	31-agosto-12

Directiva 94/9/CE (hasta el 19 de abril, 2016), y 2014/34/CE (después de Abril 20,2016)Equipos y sistemas de protección destinados al uso en atmósferas potencialmente explosivas.

AS2380.1: Equipos eléctricos para atmósferas explosivas: Técnicas de protección contra explosiones; Parte 1: Requisitos generales.

AS2380.2: Equipos eléctricos para atmósferas explosivas: Técnicas de protección contra explosiones; Parte 2: Caja ignífuga d. (Clase I Grupo D)

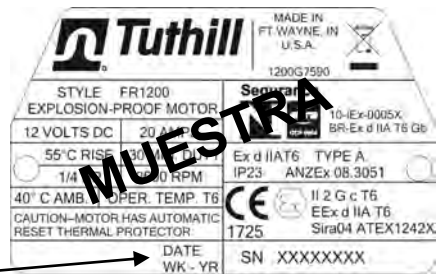
AS1939: Grados de protección que proporcionan las cajas para equipos eléctricos.

IEC 60079-0: Atmósferas explosivas; Parte 0: Equipos: Requisitos generales.

60079-0: Atmósferas explosivas; Parte 1: Protección de equipos mediante cajas ignífugas d. (Clase I Grupo D)

## Información de la etiqueta del motor

La etiqueta del motor en su bomba Fill-Rite contiene información técnica y de funcionamiento importante. Asegúrese de que esta etiqueta permanezca adherida a la bomba en todo momento.



Ubicación del sello de fecha

Visítenos en Internet en:

[www.fillrite.com](http://www.fillrite.com)

Conozca más acerca de Tuthill Corporation y nuestra familia de productos orientados a brindar gran calidad y valor en:

[www.tuthill.com](http://www.tuthill.com)

# FILL-RITE

8825 Aviation Drive  
Ft. Wayne, IN 46809  
1-800-634-2695



**FILL-RITE**®

**Série FR1200G / FR2400G / FR4200G / FR4400G  
SD1200G / Pompes de transfert CC**

---

**Série FR600G / Pompes de transfert CA**

---



## Sommaire

Informations sur la sécurité .....	3
Installation .....	3
Câblage électrique pour courant continu.....	6
Schéma de câblage pour courant continu.....	9
Câblage électrique pour courant alternatif.....	10
Schéma de câblage pour courant alternatif.....	11
Notice d'utilisation.....	12
Verrouillage .....	12
Dépannage.....	13
Informations dimensionnelles .....	14
Informations techniques série CC (série 1200/2400).....	15
Informations techniques série CC (série 4200/4400).....	16
Informations techniques série CA .....	17
Kits et pièces .....	18
Accessoires .....	19
Approbations et certifications de sécurité.....	20
Informations sur l'étiquette du moteur .....	20

## Merci !

Nous vous remercions de votre achat ! Votre produit Fill-Rite® bénéficie d'une expérience de plus de 80 ans dans le domaine de la fabrication de pompes, vous offrant ainsi la valeur qui accompagne une performance supérieure, une conception conviviale, une longue durée de vie utile et une ingénierie solide et simple. Une expérience qui vous apporte la tranquillité d'esprit.

*Bien dans nos pompes*

## À propos de ce manuel

De la conception et des plans initiaux à la production finale, votre pompe Fill-Rite a été fabriquée pour vous apporter des années d'utilisation sans incident. Pour s'assurer qu'elle offre ce service, **il est essentiel de lire le présent manuel dans son intégralité avant de tenter d'installer ou de faire fonctionner votre nouvelle pompe**. Familiarisez-vous avec les termes et les schémas, et faites attention aux parties en surbrillance sur les étiquettes suivantes :



**AVERTISSEMENT !** Signale une partie où le non-respect des instructions peut entraîner de graves blessures, voire même la mort. Des dommages mécaniques peuvent également se produire.



**IMPORTANT !** Ces encadrés contiennent des informations qui illustrent un point qui peut économiser du temps ou peut être essentiel à un bon fonctionnement, ou bien clarifier une étape.



**ATTENTION !** Le non-respect d'une « ATTENTION » peut endommager le matériel.

Chez Tuthill, la satisfaction que vous procurez nos produits est primordiale pour nous. Si vous avez des questions ou si vous avez besoin d'aide concernant ce produit, contactez-nous au 1-800-634-2695 (du lundi au vendredi, de 8 h à 17 h, heure de New York).

## Informations sur la sécurité



**AVERTISSEMENT !** Le câblage électrique doit être effectué UNIQUEMENT par un électricien agréé conformément aux codes locaux, européens et nationaux de l'électricité NEC/ANSI/NFPA 70, NFPA 30 et NFPA 30A et en fonction de l'utilisation à laquelle est destinée la pompe. Utiliser le cas échéant des conduits rigides filetés, des raccords étanches et un joint conducteur. La pompe doit être correctement mise à la terre. Une mauvaise installation ou utilisation de cette pompe peut entraîner de graves blessures corporelles, voire même la mort !



**AVERTISSEMENT !** Pour que votre matériel fonctionne correctement et en toute sécurité, il est essentiel de lire et de respecter tous les avertissements et précautions de sécurité suivants. Une mauvaise installation ou utilisation de ce produit peut entraîner de graves blessures corporelles, voire même la mort !

- **NE JAMAIS** fumer à proximité de la pompe ou utiliser la pompe près de flammes nues lors d'un pompage de liquides inflammables ! Un incendie pourrait se produire !
- Un filtre doit être posé à la sortie de la pompe pour assurer qu'aucun matériau étranger ne soit transféré dans le réservoir de carburant. Pour des résultats optimaux, nous recommandons les filtres Fill-Rite.
- Les joints de tuyaux filetés et les raccords doivent être rendus étanches à l'aide d'une pâte ou d'un ruban d'étanchéité approprié pour réduire au minimum les possibilités de fuites.
- Les réservoirs de stockage doivent être solidement ancrés pour prévenir tout déplacement ou renversement lorsqu'ils sont pleins ou vides.
- Pour réduire au minimum l'accumulation d'électricité statique, utiliser uniquement un tuyau flexible à conducteur statique lors du pompage de liquides inflammables et maintenir le pistolet de remplissage en contact avec le récipient qui se remplit pendant le processus de remplissage.
- Le moteur de pompe est muni d'une protection de surcharge thermique. En cas de surchauffe, le moteur s'arrêtera pour ne pas endommager les enroulements. Si cela se produit :
  - Les pompes des séries 2400, 4400, 600 et SD600 se réinitialiseront automatiquement quand elles se seront refroidies.
  - Les pompes des séries 1200 et 4200 doivent être réinitialisées manuellement pour fonctionner à nouveau. Patienter jusqu'à ce que le moteur se refroidisse et tourner l'interrupteur de mise sous tension sur Arrêt pour réinitialiser la pompe.



**AVERTISSEMENT !** Ce produit ne devra pas être utilisé pour transférer des fluides dans des avions, quel que soit leur type.



**AVERTISSEMENT !** Ce produit ne doit pas être utilisé avec des liquides prévus pour la consommation humaine ou des liquides contenant de l'eau.

## Installation

Votre pompe Fill-Rite est conçue pour être montée sur un réservoir plate-forme à l'aide de la bride d'entrée filetée fournie avec la pompe (voir schémas ci-joints). Votre pompe est également munie d'une soupape de dérivation intégrale pour recycler le fluide lorsque la pompe fonctionne et que l'injecteur est fermé.



**AVERTISSEMENT !** Dans les applications de réservoir plate-forme, s'assurer que le réservoir soit solidement attaché pour qu'il ne bouge pas ou ne se déplace pas lorsque le réservoir est plein ou vide.



**ATTENTION !** N'utiliser ni clapets antiretour ni clapets à pied supplémentaires à moins qu'ils n'intègrent une soupape de surpression appropriée. À noter que des clapets antiretour supplémentaires.



**ATTENTION !** Un bouchon de retenue à pression peut être utilisé pour réduire les pertes de carburant par évaporation, mais il faut noter que cela réduira le débit.



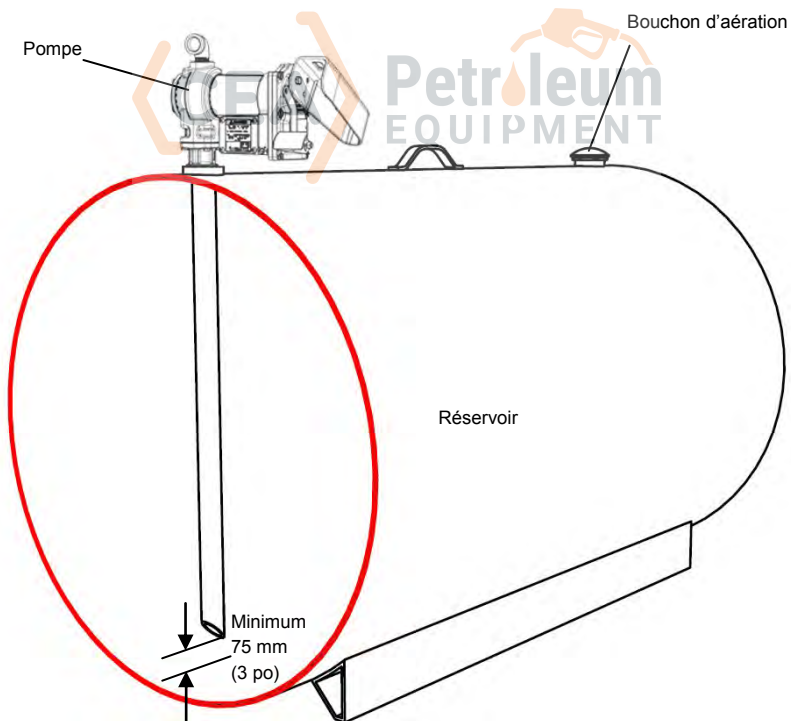
**ATTENTION !** Les joints de tuyaux filetés et les raccords doivent être rendus étanches à l'aide d'une pâte ou d'un ruban d'étanchéité approprié pour réduire au minimum les possibilités de fuites.



**AVERTISSEMENT !** Les pompes Fill-Rite sont conçues pour des applications de réservoir fixe ou mobile. Bien que la conception d'alimentation en courant continu en fasse un excellent choix pour les applications mobiles, l'ancrage du réservoir à la pompe sur laquelle il est monté est primordial pour garantir l'absence de tout déplacement pendant le transfert. Si le réservoir n'est pas solidement attaché au véhicule, des déplacements incontrôlés peuvent se produire et être à l'origine de dégâts, d'accidents corporels ou d'incendie potentiel.

### Installation classique sur réservoir plate-forme

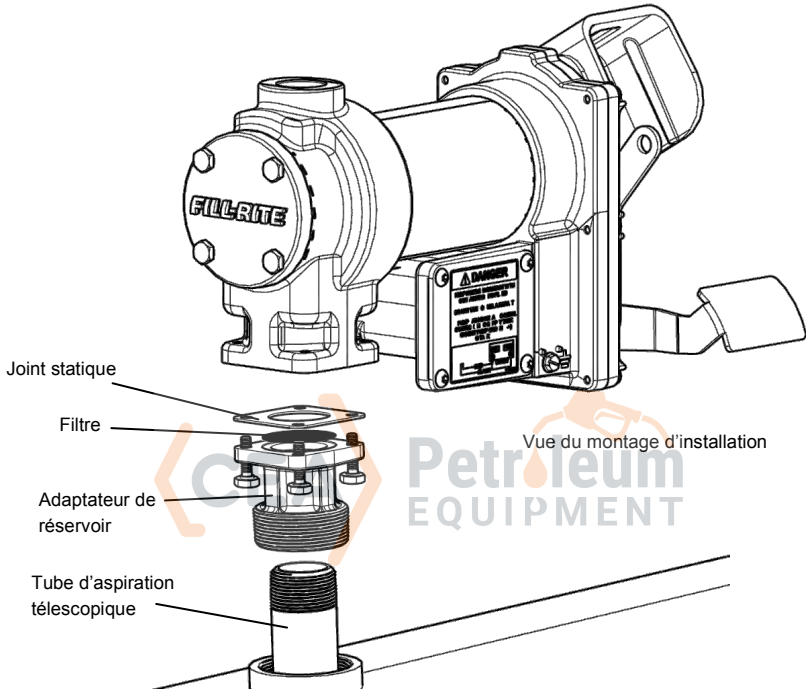
La pompe se monte sur la bonde d'un réservoir plate-forme au moyen d'une bride d'entrée. Le tube d'aspiration se visse dans la partie inférieure de la bride d'entrée et doit être coupé à la bonne longueur pour qu'il se positionne à une distance d'au moins 75 mm (3 po) de la partie inférieure du réservoir. Le réservoir plate-forme doit être muni d'un bouchon d'aération.



## Installation classique sur réservoir plate-forme

### Matériaux :

- Tube d'aspiration télescopique de 1 po déployé de telle sorte qu'il se prolonge jusqu'à 75 mm (3 po) maximum du fond du réservoir lorsqu'il sera vissé dans l'adaptateur de réservoir, ce dernier étant vissé dans la collerette du réservoir (voir le schéma **INSTALLATION SUR RÉSERVOIR PLATE-FORME**).
- Pâte d'étanchéité pour joints de tuyaux filetés appropriée pour l'application.



### Procédure d'installation :

1. Visser le tuyau de 1 po dans l'adaptateur du réservoir. Sceller complètement le filetage à l'aide d'une pâte d'étanchéité liquide appropriée.

(Figure 1)

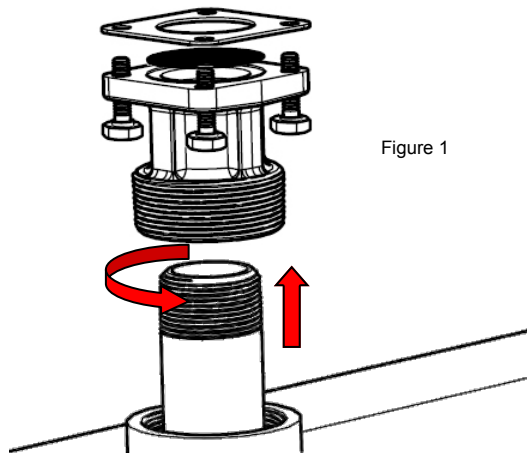
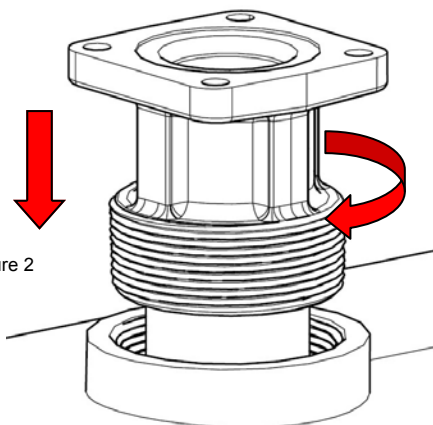


Figure 1

## Installation classique sur réservoir plate-forme (suite)

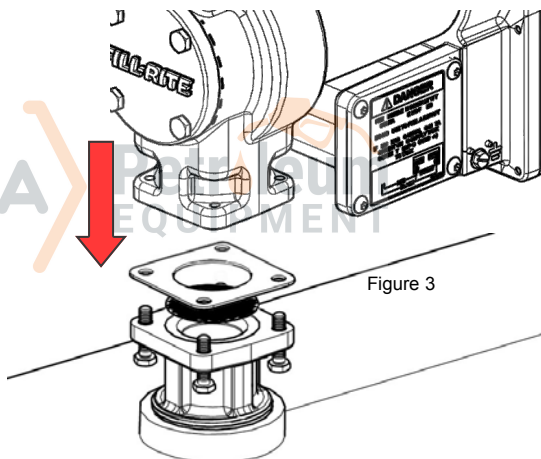
2. Visser la bride d'entrée (avec le tube d'aspiration) dans la bonde du réservoir. Sceller complètement le filetage à l'aide d'une pâte d'étanchéité liquide appropriée. (Figure 2)

Figure 2



3. Monter la pompe sur l'adaptateur en s'assurant que le dispositif d'étanchéité et le filtre sont posés comme cela est illustré. (Figure 3).

Figure 3



## Câblage électrique

### Procédure de câblage pour courant continu

Pompes de transfert CC Série FR1200G / FR2400G / FR4200G / FR4400G / SD1202G



**ATTENTION !** Les pompes alimentées en courant continu sont conçues pour fonctionner sur 12 ou 24 volts (en fonction du modèle). Au besoin, utiliser le câble de batterie fourni pour alimenter la pompe depuis une batterie 12 V ou 24 V CC. Un fusible de 30 A (20 A sur les moteurs 24 V CC) doit être posé sur le câble de batterie (voir schéma de câblage page 9) pour protéger le câble contre les courts-circuits.



**ATTENTION !** La chute de tension qui se produit dans un câble varie en fonction de la distance de la batterie à la pompe et du calibre de câble utilisé. Si la distance est supérieure à 6,1 m (20 pi), consulter le code national, européen ou local de l'électricité pour s'assurer d'utiliser le bon calibre de fil pour l'application en question.

## Instructions avant de procéder au câblage pour courant continu

La pompe nécessite d'être reliée électriquement au réservoir d'alimentation ou au châssis du véhicule. Pour relier électriquement la pompe, retirer la vis de liaison verte située près du couvercle de la boîte de jonction. Insérer cette vis à travers l'œillet de l'ensemble fil de masse vert fourni et la revisser solidement sur la pompe. La gaine isolante doit être retirée à l'autre extrémité du fil qui, une fois dénudé, sera solidement relié au châssis du véhicule ou de la remorque ou au réservoir plateforme.



**AVERTISSEMENT !** Ne pas connecter le fil d'alimentation positif ou négatif à la vis ou au fil vert, un incendie pouvant se produire.

## Instructions de câblage (voir Figure 4, page 8 )

1. Retirer le couvercle de la boîte de jonction électrique de la pompe et redresser les 2 fils pour que les extrémités dénudées soient accessibles de l'extérieur de la boîte de jonction.
2. Visser le connecteur de câble fourni dans le conduit NPT s'ouvrant dans la boîte de jonction de la pompe.
3. Retirer la gaine extérieure sur une longueur de 150 mm (6 po) depuis une extrémité du câble électrique fourni en veillant à ne pas endommager la gaine d'isolation des fils noir et rouge.
4. Desserrer l'écrou du connecteur de câble et passer l'extrémité dénudée du câble fourni à travers le connecteur de câble. Serrer l'écrou du connecteur de câble.
5. Dénuder les extrémités des fils rouge et noir sur une longueur de 13 mm (1/2 po). À l'aide des capuchons de connexion fournis, connecter ces fils aux fils de la pompe en faisant correspondre les couleurs. S'assurer qu'il n'y a aucun fil dénudé exposé.
6. Replier les fils dans la boîte de jonction et remettre le couvercle en place en s'assurant que le joint est bien en place. S'assurer que toutes les vis sont installées de manière à ce qu'il n'y ait pas d'espace entre le couvercle et la boîte de jonction (voir l'encadré « IMPORTANT ! » et le schéma page 10).

## Câblage sur un système électrique de véhicule (voir schéma de câblage, page 9)

1. Faire courir les fils électriques jusqu'à la source du système d'alimentation électrique du véhicule en faisant reposer au besoin les fils sur des supports et en les protégeant des arêtes tranchantes, de la chaleur et de tout ce qui pourrait endommager les fils.
2. Pour déterminer si le système électrique du véhicule est de masse **négative (-)** ou **positive (+)**, vérifier le marquage sur la batterie pour la borne qui est reliée au châssis du véhicule ou au bloc moteur. Le fil rouge de la pompe se connectera à la borne positive de batterie et le fil noir de la pompe se connectera à la borne négative de batterie.
3. Attacher une extrémité du porte-fusible à l'extrémité du fil non mis à la masse. Réaliser **aussi près que possible de la batterie** une connexion électrique solide avec l'autre extrémité du porte-fusible vers le côté non mis à la masse de la batterie. Réaliser une connexion électrique solide avec le fil restant vers le côté mis à la masse de la batterie. La borne de batterie ou l'extrémité du câble de batterie est recommandée.
4. Vérifier toutes les connexions pour s'assurer qu'elles sont réalisées selon les instructions et conformément à tous les codes de l'électricité. Insérer le fusible de 30 A (fusible de 20 A pour les installations 24 V CC) dans le porte-fusible. L'installation est maintenant terminée.



**AVERTISSEMENT !** Ne pas tenter d'alimenter la pompe à l'aide de fils d'un calibre inférieur à 12, comme par exemple le fil d'un allume-cigarette, dans la mesure où ces fils minces pourraient surchauffer et être à l'origine d'un incendie.

\*Entrée de conduit M20 sur les modèles GE

## Câblage pour courant continu (suite)

### Pour réservoirs montés sur plate-forme

1. Faire courir les fils électriques jusqu'à la source d'alimentation électrique en faisant reposer au besoin les fils sur des supports et en les protégeant des arêtes tranchantes, de la chaleur et de tout ce qui pourrait endommager les fils.
2. Attacher **aussi près que possible de la batterie ou de la source d'alimentation** une extrémité du porte-fusible au fil **rouge** de la pompe. Réaliser une connexion électrique solide avec l'autre extrémité du porte-fusible vers la borne **positive** de la source d'alimentation. Réaliser une connexion électrique solide avec le fil **noir** de la pompe vers la borne **négative** de la source d'alimentation.
3. Vérifier toutes les connexions pour s'assurer qu'elles sont réalisées selon les instructions et conformément à tous les codes de l'électricité. Insérer le fusible de 30 A (fusible de 20 A pour les installations 24 V CC) dans le porte-fusible. L'installation est maintenant terminée.

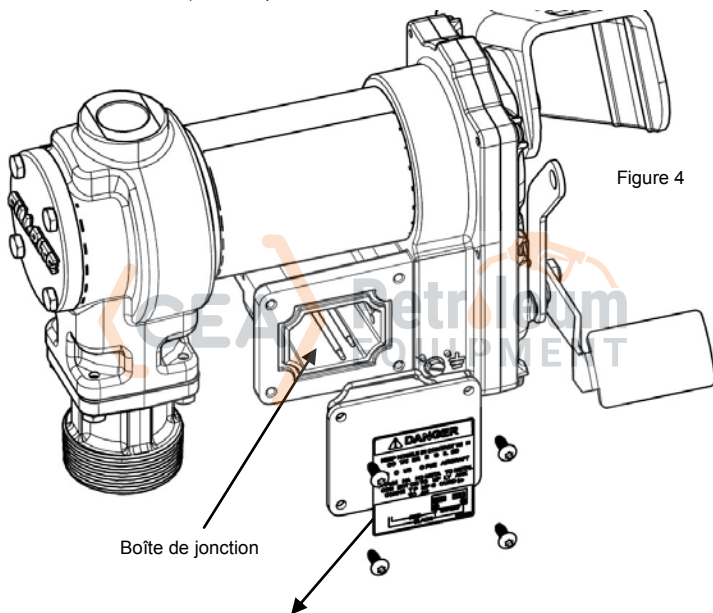
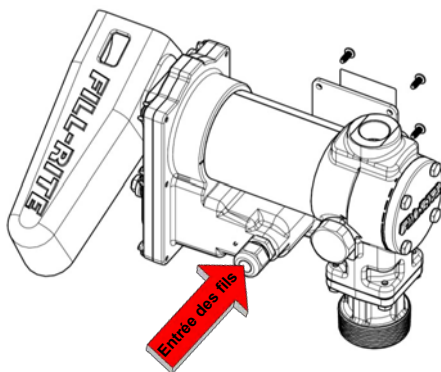


Figure 4

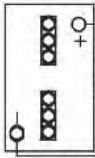




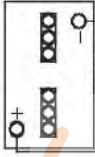
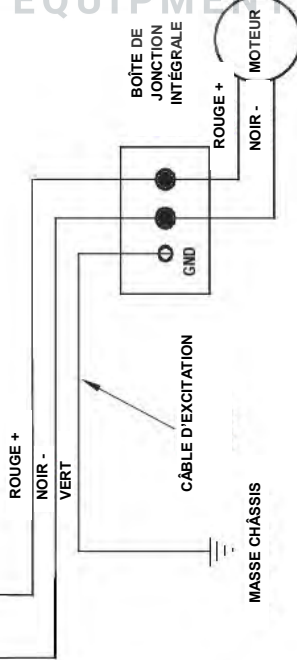
## Schéma de câblage pour courant continu

### Schéma de câblage pour courant continu

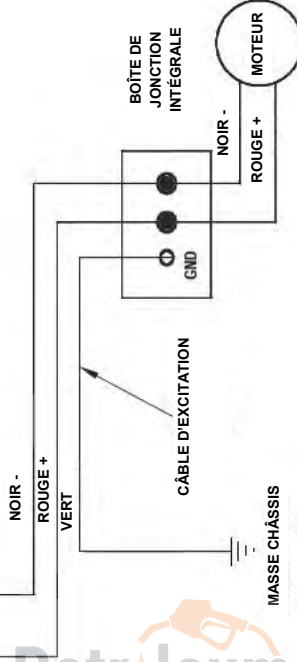
#### SYSTÈME MASSE NÉGATIVE



Fusible à poser en dehors de la zone dangereuse, aussi près que possible de la source d'alimentation. Si la longueur du câble reliant la source d'alimentation à la pompe est supérieure à 6,1 m (20 pi), consulter le code de l'électricité (national, européen ou local) pour s'assurer que le calibre du câble est approprié à l'application.



Fusible à poser en dehors de la zone dangereuse, aussi près que possible de la source d'alimentation. Si la longueur du câble reliant la source d'alimentation à la pompe est supérieure à 6,1 m (20 pi), consulter le code de l'électricité (national, européen ou local) pour s'assurer que le calibre du câble est approprié à l'application.



# Instruction de câblage pour courant alternatif

Pompes de transfert CA Série FR600G / SD602G



**AVERTISSEMENT !** Le câblage électrique doit être effectué **UNIQUEMENT** par un électricien agréé conformément aux codes locaux, européens et nationaux de l'électricité NEC/ANSI/NFPA 70, NFPA NFPA30 et NFPA 30A et en fonction de l'utilisation à laquelle est destinée la pompe. La pompe doit être correctement mise à la terre. Une mauvaise installation ou utilisation de cette pompe peut entraîner de graves blessures corporelles, voire même la mort !



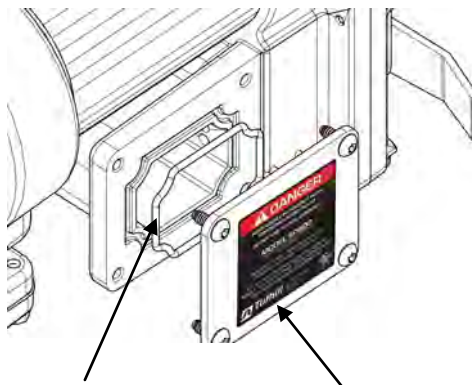
**ATTENTION !** Toutes les pompes doivent fonctionner sur la tension nominale indiquée sur la plaque signalétique. Le secteur doit alimenter la pompe depuis un circuit affecté en propre ayant un dispositif de protection de 15 A. Aucun autre matériel ne doit être alimenté par ce circuit. Le câblage doit être de calibre suffisant pour transporter le courant nécessaire au fonctionnement de la pompe (minimum calibre 12). Les chutes de tension varieront en fonction de la distance avec la pompe et du calibre du câble. Consulter le Code national de l'électricité (NEC) ou les codes locaux pour la compensation des chutes de tension et pour s'assurer d'utiliser le calibre de câble approprié à l'application.

## Procédure de câblage pour courant alternatif

1. Retirer le couvercle de la boîte de jonction électrique de la pompe et redresser les fils pour que les extrémités dénudées soient accessibles de l'extérieur de la boîte de jonction.
2. Poser un conduit rigide et un câble approprié de la source d'alimentation à la boîte de jonction pour maintenir l'intégrité antidéflagrante. L'alimentation doit être fournie depuis un coupe-circuit 15 A affecté en propre. Aucun autre matériel ne doit être alimenté par ce circuit.
3. Connecter les fils de la pompe au secteur en respectant le schéma de câblage (page 11). S'assurer d'isoler correctement les connexions à l'aide de capuchons de connexion ou d'autres connecteurs appropriés. À noter que le fil de mise à la masse **DOIT** être connecté (la connexion du fil de mise à la masse est à l'intérieur de la boîte de jonction, voir Figure 5, page 11).
4. Replier les fils dans la boîte de jonction et remettre le couvercle en place en s'assurant que le joint est bien en place.



**IMPORTANT !** S'assurer que le joint du couvercle de la boîte de jonction est bien en place et que les vis serrent le couvercle sur la boîte de jonction. Il ne doit y avoir aucun espace entre la boîte de jonction et son couvercle. Le joint doit être imperméable pour empêcher l'humidité de pénétrer dans la boîte de jonction.



Joint statique de boîte de jonction

Couvercle de boîte de jonction

## Boîte de jonction de pompe alimentation secteur

(pompes de transfert CA Série FR600G)

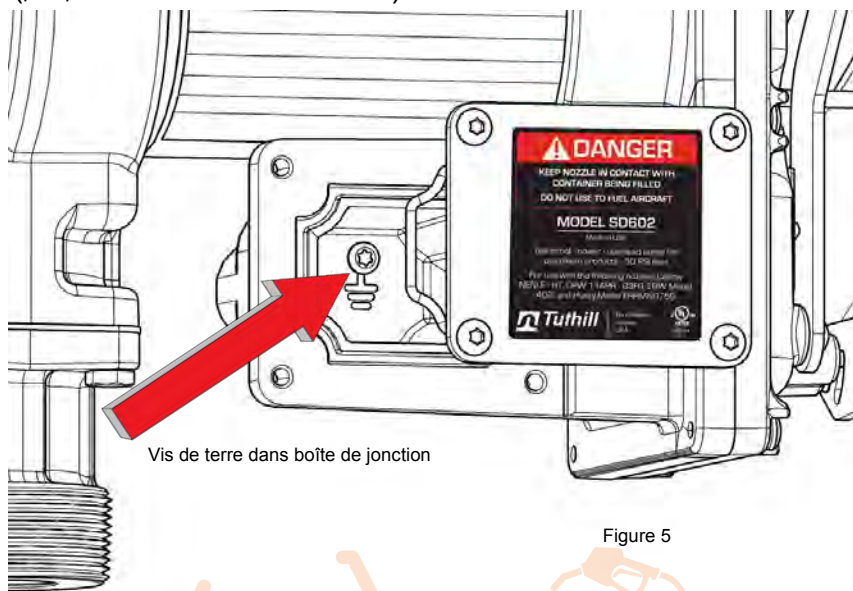
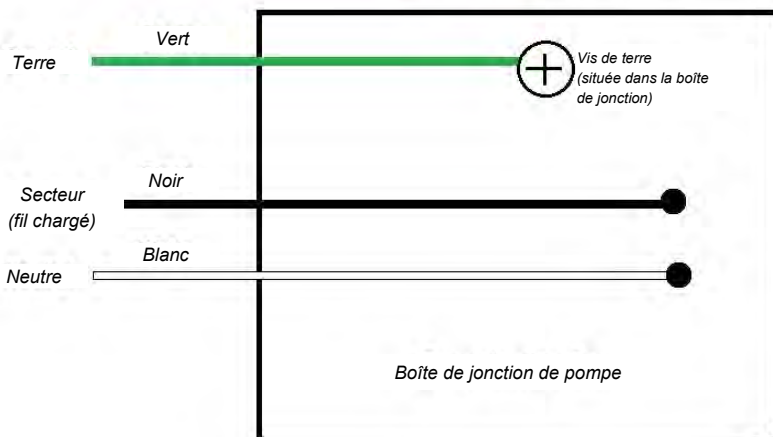


Figure 5

## Schéma de câblage pour courant alternatif

(pompes de transfert CA Série FR600G)

Schéma de câblage 115 Vca



**AVERTISSEMENT !** Le fil de mise à la masse du câblage d'alimentation DOIT être connecté à la vis de terre à l'intérieur de la boîte de jonction.

## Notice d'utilisation



**AVERTISSEMENT !** Toujours maintenir le pistolet en contact avec le récipient **pendant son remplissage** pour réduire au minimum le risque d'accumulation d'électricité statique.

1. Si la machine le permet, réinitialiser le compteur à « 0 » (ne pas réinitialiser pendant l'utilisation et ce, pour ne pas endommager le compteur).
2. Retirer le pistolet de distribution de sa gaine.
3. Amener le levier de commutation sur la position « MARCHÉ » pour mettre sous tension la pompe (Figure 5).
4. Insérer le pistolet de distribution dans le récipient à remplir.
5. Faire fonctionner le pistolet pour distribuer le liquide. Relâcher le pistolet lorsque la quantité désirée de liquide a été distribuée.

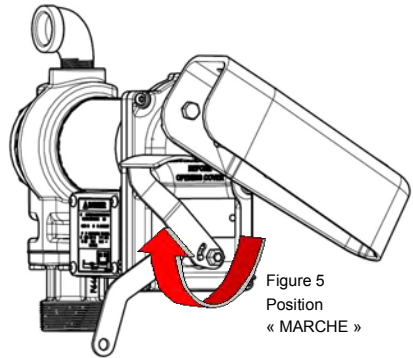


Figure 5  
Position  
« MARCHÉ »

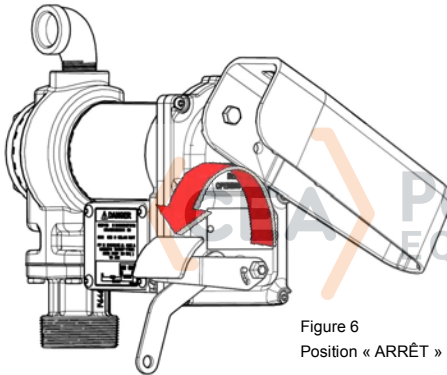


Figure 6  
Position « ARRÊT »

6. Amener le levier de commutation sur la position « ARRÊT » (Figure 6) pour mettre la pompe hors tension.
7. Retirer le pistolet de distribution du récipient à remplir et le replacer dans sa gaine.

## Verrouillage

Pour une meilleure sécurité, il est possible de poser un cadenas sur le pistolet de distribution de votre pompe Fill-Rite. Une fois la pompe mise hors tension et le pistolet dans sa gaine, un cadenas peut être inséré à travers le maillon de verrouillage et la poignée du pistolet.

Le maillon de verrouillage est situé sur le côté pistolet de la pompe et peut être tourné pour s'adapter à différents types de pistolet (Figure 7).

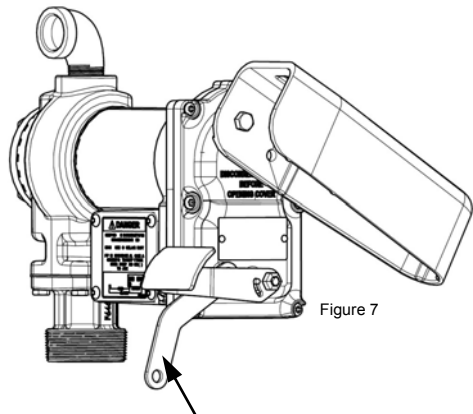


Figure 7

Maillon de verrouillage

## Dépannage

Le guide de dépannage suivant est fourni pour offrir une assistance de diagnostic de base en cas de fonctionnement anormal de votre pompe Fill-Rite.

Pour toute question concernant l'installation, le fonctionnement ou l'entretien de votre pompe, n'hésitez pas à contacter notre Service clientèle au 1-800-634-2695 (du lundi au vendredi de 8 h à 17 h, heure de New York). Il est également possible de nous contacter en ligne sur le site « [www.fillrite.com](http://www.fillrite.com) ».



**AVERTISSEMENT ! NE PAS** ouvrir ni tenter de réparer le moteur de votre pompe Fill-Rite. Le retourner au point de vente pour toute intervention. L'ouverture du boîtier du moteur peut compromettre l'intégrité de sa structure antidéflagrante et annulera toute garantie et homologation en vigueur.



**AVERTISSEMENT !** S'assurer que toutes les sources d'alimentation électrique de la pompe sont déconnectées avant d'effectuer toute intervention ou opération de maintenance.

Symptôme	Cause	Solution
La pompe ne veut pas s'amorcer.	1. Problème de conduite d'aspiration.	Vérifier la présence éventuelle de fuites ou d'obstructions dans la conduite d'aspiration.
	2. Soupape de dérivation ouverte.	Déposer et inspecter la soupape. Elle doit se déplacer librement et être exempte de tout débris.
	3. Les ailettes se coincent.	Vérifier les ailettes et les fentes pour la présence éventuelle de rayures, ébarbures et traces d'usure.*
	4. Usure excessive du rotor ou des ailettes.	Inspecter le rotor et les ailettes pour vérifier leur usure excessive ou d'éventuels dommages. Remplacer au besoin.*
	5. Bouchon de vapeur	Diminuer la distance verticale et horizontale entre la pompe et le liquide. Retirer le pistolet automatique.
Faible capacité.	1. Saleté excessive dans le filtre.	Retirer et nettoyer le filtre.
	2. Problème de conduite d'aspiration.	Inspecter la conduite d'aspiration pour d'éventuelles fuites ou obstructions. Elle peut être trop petite, trop longue ou insuffisamment étanche.
	3. La soupape de dérivation se coince.	Déposer et inspecter la soupape. Elle doit se déplacer librement et être exempte de tout débris.
	4. Sortie colmatée.	Vérifier la sortie de pompe, le tuyau, le pistolet et le filtre pour leur colmatage éventuel.
	5. Les ailettes se coincent.	Vérifier les ailettes et les fentes pour d'éventuelles traces d'usure.*
	6. Usure excessive du rotor ou des ailettes.	Inspecter le rotor et les ailettes pour vérifier leur usure excessive ou d'éventuels dommages. Remplacer au besoin.*
	7. Tuyau ou pistolet endommagé.	Remplacer le tuyau ou le pistolet.
	8. Filtre colmaté.	Remplacer le filtre.
	9. Niveau de fluide bas.	Remplir le réservoir.
La pompe tourne lentement.	1. Tension inappropriée.	Vérifier la tension de ligne à l'arrivée pendant que la pompe tourne.
	2. Les ailettes se coincent.	Vérifier les ailettes et les fentes pour la présence éventuelle de rayures, ébarbures et traces d'usure.*
	3. Problème de câblage.	Vérifier la présence éventuelle de connexions desserrées.
	4. <b>Problème de moteur.</b>	<b>Retourner la pompe au point de vente.</b>

Se reporter à la page 14 pour des explications concernant le texte en **caractères gras** et les \*.

## Dépannage (suite)

Le moteur cale/le fusible saute ou le protecteur thermique disjoncte de façon répétée.	1. La soupape de dérivation se coince.	Déposer et inspecter la soupape. Elle doit se déplacer librement et être exempte de tout débris.
	2. Tension faible.	Vérifier la tension de ligne à l'arrivée pendant que la pompe tourne.
	3. Usure excessive du rotor ou des ailettes.	Inspecter le rotor et les ailettes pour vérifier leur usure excessive ou d'éventuels dommages.*
	4. Débris dans la cavité de pompe.	Nettoyer les débris dans la cavité de pompe.
Le moteur surchauffe.	1. Pompage de fluides à viscosité élevée.	Ces fluides ne peuvent être pompés que pendant de courtes périodes (cycle de service inférieur à 30 minutes).
	2. Filtre colmaté.	Retirer et nettoyer le filtre.
	3. Conduite d'aspiration obstruée.	Déposer et nettoyer la conduite.
	4. <b>Panne de moteur.</b>	<b>Retourner la pompe au point de vente.</b>
Moteur défectueux.	1. Aucune puissance	Vérifier l'alimentation à l'arrivée.
	2. Panne d'interrupteur.	Remplacer l'interrupteur (KIT120SW).
	3. <b>Panne de moteur.</b>	<b>Retourner la pompe au point de vente.</b>
	4. <b>Panne du protecteur thermique.</b>	<b>Retourner la pompe au point de vente.</b>
	5. Erreur de câblage ou fils desserrés.	Vérifier le câblage.
Fuite de liquide.	1. Joint torique défectueux.	Vérifier tous les joints toriques.
	2. Garniture d'étanchéité d'arbre sale.	Nettoyer la garniture d'étanchéité et la chemise.
	3. Garniture d'étanchéité d'arbre défectueuse.	Remplacer la garniture d'étanchéité.
	4. Liquide incompatible.	Se reporter à la nomenclature des pièces immergées compatibles pour le fabricant du liquide.
	5. Attaches desserrées.	Serrer les attaches.
La pompe ronfle mais ne fonctionne pas.	1. <b>Panne de moteur.</b>	<b>Retourner la pompe au point de vente.</b>
	2. Clavette de rotor cassée.	Retirer tous les débris et remplacer la clavette.

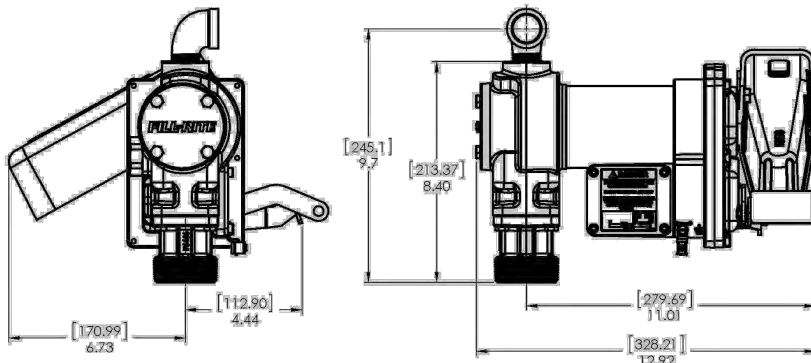
Le **texte en caractères gras** indique que l'intervention ne peut pas être effectuée par le propriétaire. La pompe doit être retournée au point de vente pour ce type d'intervention.

\* Les réparations indiquées par un astérisque (\*) nécessitent le kit de réparation KIT120RG. Ce kit comprend un rotor de remplacement et de nouvelles ailettes ainsi qu'un certain nombre de joints et de composants importants nécessaires à la réparation. Des détails sur ce kit sont fournis à la page 18.



**AVERTISSEMENT !** Débrancher l'alimentation électrique et relâcher toute la pression dans les conduites avant d'intervenir sur cette pompe ! Ne pas tenir compte de cet avertissement peut endommager le matériel et entraîner des blessures, voire même la mort!

## Informations dimensionnelles



## Informations techniques sur les pompes alimentées en courant continu (modèles G/GE)

Moteur	Série FR1200		Série FR2400	
Alimentation secteur 115, 230, 115/230 V~	S/O		S/O	
50, 60, 50/60 Hz	S/O		S/O	
Alimentation CC 12, 24, 12/24	12		24	
Puissance en HP	1/4 HP		1/4 HP	
Longueur du cordon d'alimentation (en pieds)	18		18	
Calibre du cordon d'alimentation	12 AWG		12 AWG	
Connecteurs de cordon d'alimentation pour courant continu	AUCUN		AUCUN	
Intensité maximale	20 A		10 A	
Tr/min	2600		2600	
Cycle de service	30 min		30 min	
Contacteur thermique	Oui		Oui	
Fusible de dispositif de protection des circuits	AUCUN		AUCUN	
Homologation	UL, cUL Motor, ATEX, CE*, ANZEx, INMETRO		UL, cUL Motor, ATEX, CE*, ANZEx, INMETRO	
Pompe	Série FR1200		Série FR2400	
Type - rotative, à membrane, à engrenages, à ailettes	Rotative à ailettes		Rotative à ailettes	
gal/min dans la configuration fournie	Jusqu'à 15		Jusqu'à 15	
gal/min à plein débit - ni tuyau ni pistolet	Jusqu'à 18,5		Jusqu'à 18,5	
Pression limite de dérivation (lb/pi <sup>2</sup> ) - max.	16 lb/pi <sup>2</sup>		16 lb/pi <sup>2</sup>	
Aspiration sèche (en Hg)	5		5	
Tête - max. (pieds)	37		37	
Clapet anti-siphon	Aucun		Aucun	
Entrée - diamètre du filet	1 po NPT	1 po BSPP*	1 po NPT	1 po BSPP*
Sortie - diamètre du filet	3/4 po NPT	3/4 po BSPP*	3/4 po NPT	3/4 po BSPP*
Support de fixation	Bonde 2 po NPT	2 po BSPT*	Bonde 2 po NPT	2 po BSPT*
Matériau - corps de pompe	Fonte		Fonte	
Matériau - matériaux mouillés	BUNA-N		BUNA-N	
Matériau du rotor	Poudre de fer		Poudre de fer	
Matériau des ailettes de rotor	Bronze fritté		Bronze fritté	
Liquide compatibles	Diesel, essence, biodiesel jusqu'à B20, E15, kérosène		Diesel, essence, biodiesel jusqu'à B20, E15, kérosène	
Taille de maille de crépine	20 x 20		20 x 20	
Garantie	2 ans		2 ans	
Homologation	ATEX, CE*, ANZEx, INMETRO		ATEX, CE*, ANZEx, INMETRO	

\* modèles homologués CE : voir page 20

## Informations techniques sur les pompes alimentées en courant continu (modèles G/GE)

Moteur	Série FR4200		Série FR4400	
Alimentation secteur 115, 230, 115/230	S/O		S/O	
50, 60, 50/60 Hz	S/O		S/O	
Alimentation CC 12, 24, 12/24	12		24	
Puissance en HP	1/4 HP		1/4 HP	
Longueur du cordon d'alimentation (en pieds)	18		18	
Calibre du cordon d'alimentation	12 AWG		12 AWG	
Connecteurs de cordon d'alimentation pour courant continu	AUCUN		AUCUN	
Intensité maximale	20 A		10 A	
Tr/min	2600		2600	
Cycle de service	30 min		30 min	
Contacteur thermique	Oui		Oui	
Fusible de dispositif de protection des circuits	AUCUN		AUCUN	
Homologation	UL, cUL Motor, ATEX, CE*, ANZEx, INMETRO		ATEX, CE*, ANZEx, INMETRO	
Pompe	Série FR4200		Série FR4400	
Type - rotative, à membrane, à engrenages, à ailettes	Rotative à ailettes		Rotative à ailettes	
gal/min dans la configuration fournie	Jusqu'à 20		Jusqu'à 20	
gal/min à plein débit - ni tuyau ni pistolet	21		Jusqu'à 20	
Pression limite de dérivation (lb/pi <sup>2</sup> ) - max.	16 lb/pi <sup>2</sup>		16 lb/pi <sup>2</sup>	
Aspiration sèche (en Hg)	5		5	
Tête - max. (pieds)	37		37	
Clapet anti-siphon	Aucun		Aucun	
Entrée - diamètre du filet	1 po NPT	1 po BSPP*	1 po NPT	1 po BSPP*
Sortie - diamètre du filet	1 po NPT	1 po BSPP*	1 po NPT	1 po BSPP*
Support de fixation	Bonde 2 po NPT	2 po BSPT*	Bonde 2 po NPT	2 po BSPT*
Matériau - corps de pompe	Fonte		Fonte	
Matériau - matériaux mouillés	BUNA-N		BUNA-N	
Matériau du rotor	Poudre de fer		Poudre de fer	
Matériau des ailettes de rotor	Bronze fritté		Bronze fritté	
Liquide compatibles	Diesel, essence, biodiesel jusqu'à B20, E15, kérosène		Diesel, essence, biodiesel jusqu'à B20, E15, kérosène	
Taille de maille de crépine	20 x 20		20 x 20	
Garantie	2 ans		2 ans	
Homologation	ATEX, CE*, ANZEx, INMETRO		ATEX, CE*, ANZEx, INMETRO	

\* modèles homologués CE : voir page 20



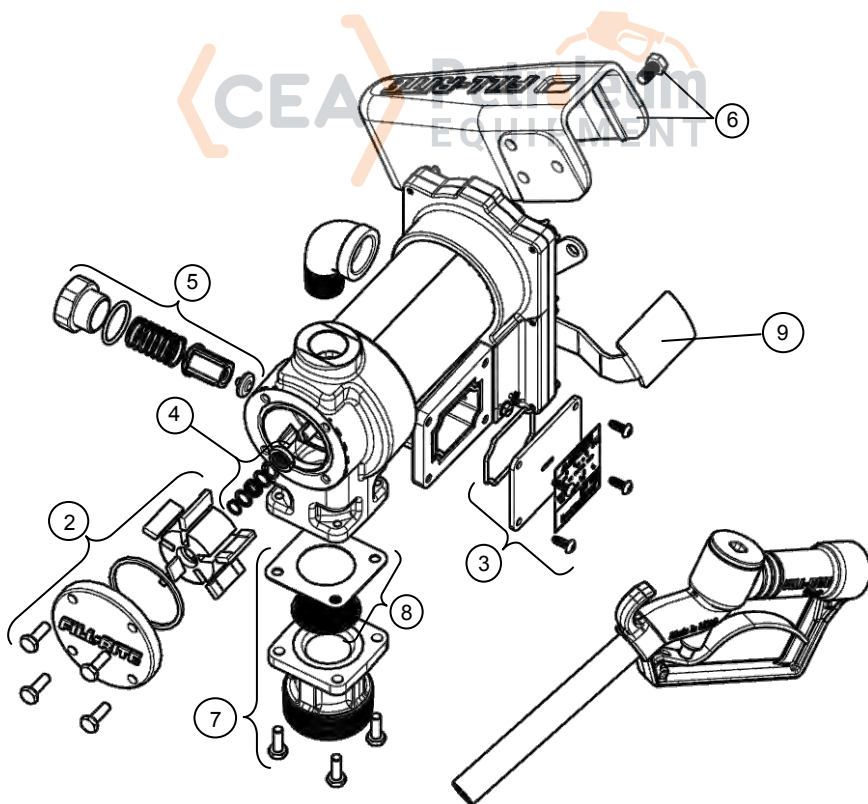
## Informations techniques sur les pompes alimentées en courant alternatif

<b>Moteur</b>	<b>FR600</b>	<b>SD600</b>
Alimentation secteur 115, 230, 115/230	115 V~	115 V~
50, 60, 50/60 Hz	60 Hz	60 Hz
Alimentation CC 12, 24, 12/24	S/O	S/O
Puissance en HP	1/6 HP	1/6 HP
Longueur du cordon d'alimentation (en pieds)	S/O	S/O
Calibre du cordon d'alimentation	S/O	S/O
Cordon d'alimentation pour courant continu	S/O	S/O
Intensité maximale	2.0 A	2.0 A
Tr/min	2000	2000
Cycle de service	30 min	30 min
Contacteur thermique	Oui	Oui
Fusible de dispositif de protection des circuits	Aucun	Aucun
Homologation	UL/cUL	UL/cUL
<b>Pompe</b>	<b>FR600</b>	<b>SD600</b>
Type - rotative, à membrane, à engrenages, à ailettes	Rotative à ailettes	Rotative à ailettes
gal/min dans la configuration fournie	Jusqu'à 14,8	Jusqu'à 14,8
gal/min à plein débit - ni tuyau ni pistolet	Jusqu'à 17,4	Jusqu'à 17,4
Pression limite de dérivation (lb/pi <sup>2</sup> ) - max.	16 lb/pi <sup>2</sup>	16 lb/pi <sup>2</sup>
Aspiration sèche (en Hg)	5	5
Tête - max. (pieds)	37	37
Clapet anti-siphon	Aucun	Aucun
Entrée - diamètre du filet	1 po NPT	1 po NPT
Sortie - diamètre du filet	1 po NPT	1 po NPT
Support de fixation	Bonde 2 po (NPT)	Bonde 2 po (NPT)
Matériau - corps de pompe	Fonte	Fonte
Matériau - matériaux mouillés	BUNA-N	BUNA-N
Matériau du rotor	Poudre de fer	Poudre de fer
Matériau des ailettes de rotor	Bronze fritté	Bronze fritté
Liquide compatibles	Diesel, essence, biodiesel jusqu'à B20, E15, kérosène	Diesel, essence, biodiesel jusqu'à B20, E15, kérosène
Taille de maille de crépine	20 x 20	20 x 20
Garantie	2 ans	1 an
Homologation	UL/cUL	UL/cUL

## Kits et pièces

N°	Kit	Description	Pièces
1	KIT120BD*	Kit biodiesel*	Joint torique, soupape à tige de clapet de dérivation, capuchon d'étanchéité de dérivation, joint d'entrée
2	KIT120RG	Kit rotor et ailettes	Couvercle de rotor, rotor, ailettes, clavette de rotor, joint torique, visserie d'attache
3	KIT120JC	Kit de couvercle de boîte de jonction	Couvercle de boîte de jonction, joint d'étanchéité, Fixations
4	KIT120SL	Kit d'étanchéité	Joint torique, garnitures d'étanchéité d'arbre, bague de maintien
5	KIT120BV	Kit d'intervention sur dérivation	Filtre, clapet de dérivation, ressort de clapet, capuchon d'étanchéité de dérivation, joint torique
6	KIT120NB	Kit de gaine de pistolet	Gaine de pistolet, visserie d'attache
7	KIT120BG	Kit de bride d'entrée	Bride d'entrée (bonde), visserie d'attache, joint d'entrée, filtre
8	KIT120SG	Joint statique d'entrée et filtre	Joint statique pour entrée (bonde) et filtre
9	KIT120SW	Kit levier de commutation	Levier de commutation, visserie de fixation

\*Le KIT120BD ne figure pas dans le schéma ci-dessous .



## Accessoires

Accessoires 3/4 po	Description
FRHMN075S	Pistolet manuel 3/4 po en aluminium
N075DAU10	Pistolet automatique 3/4 po
807CMK	Compteur mécanique Série 800 (gallons)
807CLMK	Compteur mécanique Série 800 (litres)
700F3135	Tuyau flexible 3/4 po x 3,7 m (12 pi), homologué UL
FRH07512	Tuyau flexible 3/4 po x 3,7 m (12 pi)
FRH07514	Tuyau flexible 3/4 po x 4,3 m (14 pi)
FRH07520	Tuyau flexible 3/4 po x 6,1 m (20 pi)
S075H1314	Pivot multi-plan 3/4 po
1200KTG9075	Tête de filtre 3/4 po (pour utilisation avec des filtres F18)
Accessoires 1 po	Description
FRHMN100S	Pistolet manuel 1 po en aluminium
N100DAU10	Pistolet automatique 1 po
N100DAU13	Pistolet automatique 1 po à débit extrêmement élevé
901CMK4200	Compteur mécanique Série 900 (gallons)
901CLMK4200	Compteur mécanique Série 900 (litres)
900CD	Compteur numérique Série 900 (programmable)
900CDP	Compteur numérique Série 900 avec générateur d'impulsions intégral (programmable)
300F7773	Tuyau flexible 1 po x 3,7 m (12 pi), homologué UL
FRH10012	Tuyau flexible 1 po x 3,7 m (12 pi)
FRH10014	Tuyau flexible 1 po x 4,3 m (14 pi)
FRH10020	Tuyau flexible 1 po x 6,1 m (20 pi)
S100H1315	Pivot multi-plan 1 po
700ACCF7017	Tête de filtre 1 po (pour utilisation avec des filtres F40)



900CD



N100DAU13



700ACCF7017

## Homologations de tests de sécurité

La sécurité de la gamme de pompes **Fill-Rite** a été testée en conformité aux normes établies par Underwriters Laboratories, ATEX, ANZEx, INMETRO et IEx.



Série modèle	ATEX	ANZEx	IEx
	94/9/EC	AS 2380.1 AS 2380.2 AS 1939	IEC 60079-0 IEC 60079-1
FR1200GE	X	X	X
FR2400GE	X	X	X
FR4200GE	X	X	X
FR4400GE	X	X	X
Date d'homologation	24 mai 2012	30 mai 2012	31 août 2012

94/9/EC (jusqu'au 19 avril 2016), et 2014/34/UE (après avril 20,2016): Appareils et systèmes de protection destinés à être utilisés dans des atmosphères explosibles.

AS2380.1 : Matériel électrique pour atmosphères explosibles - Explosion - Techniques de protection - Partie 1 : Exigences générales.

AS2380.2 : Matériel électrique pour atmosphères explosibles - Explosion - Techniques de protection - Partie 2 : Exigences générales (Classe I Groupe D)

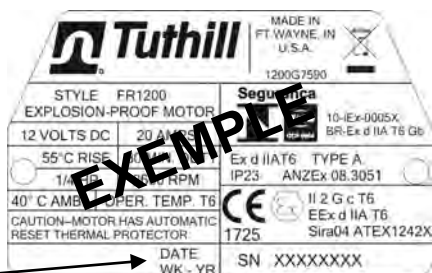
AS1939 : Degrés de protection fournis par les armoires pour matériel électrique.

IEC 60079-0 : Atmosphères explosibles - Partie 0 : Matériel - Exigences générales.

IEC 60079-0 : Atmosphères explosibles - Partie 1 : Protection de matériel par enveloppe antidéflagrante d. (Classe I Groupe D)

### Informations sur l'étiquette du moteur

L'étiquette du moteur de votre pompe Fill-Rite contient des informations importantes sur les performances et d'ordre technique. S'assurer que cette étiquette reste apposée en permanence sur la pompe.



Emplacement de l'horodatage

Visitez notre site Web :

[www.fillrite.com](http://www.fillrite.com)

Apprenez à mieux connaître Tuthill Corporation et notre famille de produits de qualité supérieure et d'un excellent rapport qualité-prix en visitant le site :

[www.tuthill.com](http://www.tuthill.com)

# FILL-RITE

8825 Aviation Drive  
Ft. Wayne, IN 46809  
1-800-634-2695

**FILL-RITE**®

**DC-Transferpumpen der Serien FR1200G /  
FR2400G / FR4200G / FR4400G / SD1200G**

**AC-Transferpumpen der FR600G Serie**



## Inhalt

Sicherheitsinformationen .....	3
Einbau .....	3
Gleichspannungsverkabelung .....	6
Gleichspannungsschaltplan .....	9
Wechselspannungsverkabelung .....	10
Wechselspannungsschaltplan .....	11
Betriebsanweisungen .....	12
Anbringen des Vorhängeschlosses .....	12
Störungsbeseitigung .....	13
Maßangaben .....	14
Technische Informationen – Gleichspannung (1200 / 2400 Serie) .....	15
Technische Informationen – Gleichspannung (4200 / 4400 Serie) .....	16
Technische Informationen – Wechselspannung .....	17
Sätze und Ersatzteile .....	18
Zubehör .....	19
Sicherheitszulassungen und Zertifizierungen .....	20
Angaben am Motortypenschild .....	20

## Vielen Dank!

Vielen Dank für Ihren Kauf! Das Fill-Rite® Produkt wird durch mehr als 80 Jahre Erfahrung bei der Pumpenherstellung gestützt und bietet Ihnen den besten Wert, überlegene Leistung, ein benutzerfreundliches Design, lange Lebensdauer und solide, einfache Technik. Erfahrung, die Ihnen Sorgenfreiheit bietet.

*Pumpen mit ganzem Herzen*

## Zu diesem Handbuch

Vom anfänglichen Konzept bis zur endgültigen Produktion ist die Fill-Rite-Pumpe für problemlosen Betrieb auf Jahre hinaus ausgelegt. Um diese Funktionsweise zu gewährleisten, **müssen Sie dieses gesamte Handbuch durchlesen, bevor der Einbau oder Betrieb der neuen Pumpe versucht wird.** Machen Sie sich mit den Begriffen und Diagrammen vertraut und achten Sie genau auf die hervorgehobenen Bereiche mit den folgenden Bezeichnungen:



**WARNUNG!** Hebt einen Bereich hervor, in dem bei Nichtbefolgung der Anweisungen schwere oder tödliche Verletzungen auftreten können. Es können auch mechanische Schäden entstehen.



**WICHTIG!** Diese Textfelder enthalten Informationen, die auf Zeitersparnisse hinweisen, für den korrekten Betrieb wichtig sind oder einen Arbeitsschritt weiter erläutern.



**VORSICHT!** Bei Nichtbeachtung eines „Vorsichtshinweises“ besteht die Gefahr von Maschinenschäden.

Bei Tuthill ist Ihre Zufriedenheit mit unseren Produkten von höchster Bedeutung. Bei Fragen oder wenn Sie Hilfe mit dem Produkt benötigen, kontaktieren Sie uns bitte unter der Rufnummer 1-800-634-2695 (Mo-Fr 8.00-17.00 Uhr EST).

## Sicherheitsinformationen



**WARNUNG!** Die Verkabelung darf NUR von einem lizenzierten Elektriker durchgeführt werden und muss gemäß dem vorgesehenen Verwendungszweck der Pumpe den geltenden örtlichen und landesweiten Vorschriften, dem technischen Regelwerk sowie NEC/ANSI/NFPA 70, NFPA 30 und NFPA 30A entsprechen. Verschraubte Kabelrohre, abgedichtete Anschlüsse und Leiterdichtungen müssen verwendet werden, wo dies erforderlich ist. Die Pumpe muss vorschriftsmäßig geerdet sein. Unsachgemäßer Einbau oder Einsatz dieser Pumpe kann zu schweren oder tödlichen Verletzungen führen!



**WARNUNG!** Zur Gewährleistung der sicheren und korrekten Funktionsweise des Geräts müssen alle Sicherheitswarnungen und Vorsichtsmaßnahmen gelesen und befolgt werden. Unsachgemäßer Einbau oder Einsatz dieses Produktes kann zu schweren oder tödlichen Verletzungen führen!

- **NIEMALS** in der Nähe der Pumpe rauchen und die Pumpe beim Pumpen entzündlicher Flüssigkeiten nicht in der Nähe von offenen Flammen verwenden! Es besteht Brandgefahr!
- Ein Filter muss am Auslass der Pumpe vorgesehen werden, damit keine Fremdstoffe in den Kraftstofftank eingetragen werden. Für beste Ergebnisse empfehlen wir Fill-Rite-Filter.
- Rohrgewindeverbindungen und Anschlüsse müssen mit geeignetem Dichtmittel oder Dichtband abgedichtet werden, um die Wahrscheinlichkeit von Leckage zu minimieren.
- Lagertanks müssen sicher verankert sein, damit diese beim Füllen oder Entleeren nicht kippen oder sich absetzen.
- Zur Minimierung des Aufbaus statischer Elektrizität darf beim Pumpen entzündlicher Flüssigkeiten nur ein Schlauch mit einem Statikableitungsdraht verwendet werden; das Zapfventil muss während des Füllens durchgehend Kontakt mit dem Behälter haben, in den abgefüllt wird.
- Der Pumpenmotor ist mit einem thermischen Überlastschutz ausgestattet; bei Überhitzung schaltet sich der Motor ab, um Schäden an den Wicklungen zu vermeiden. In diesem Fall:
  - die Pumpen der 2400, 4400, 600 und SD600 Serien werden nach Abkühlen der Pumpe automatisch zurückgesetzt.
  - Pumpen der 1200 und 4200 Serie müssen manuell zurückgesetzt werden, damit sie wieder funktionsfähig sind. Warten, bis der Motor abkühlt und zum Zurücksetzen den Netzschalter ausschalten.



**WARNUNG!** Dieses Produkt darf nicht zum Transfer von Flüssigkeiten in beliebige Arten von Flugzeugen verwendet werden.



**WARNUNG!** Dieses Produkt ist nicht für Flüssigkeiten geeignet, die für menschlichen Verzehr geeignet sind bzw. Flüssigkeiten, die Wasser enthalten.

## Einbau

Die Fill-Rite-Pumpe ist zur Montage an einem auf Schienen aufgestellten Tank vorgesehen. Sie wird an dem mit der Pumpe mitgelieferten Einlassflansch verschraubt (siehe beiliegende Diagramme). Die Pumpe verfügt über ein integriertes Bypassventil zur Flüssigkeitsrückführung, wenn die Pumpe bei geschlossenem Zapfventil betrieben wird.



**WARNUNG!** Bei Anwendungen in auf Schienen aufgestellten Tanks muss sichergestellt sein, dass der Tank stabil ist und seine Position nicht verändern kann, wenn er entleert oder gefüllt wird.



**VORSICHT!** Keine zusätzlichen Rückschlagventile oder Fußventile verwenden, wenn in diese kein geeignetes Druckentlastungsventil integriert ist. Zusätzliche Rückschlagventile verringern die Durchflussrate.



**VORSICHT!** Zum Verlust von Kraftstoff durch Verdunstung kann ein druckfester Füllverschluss verwendet werden; dieser verringert jedoch die Durchflussrate.



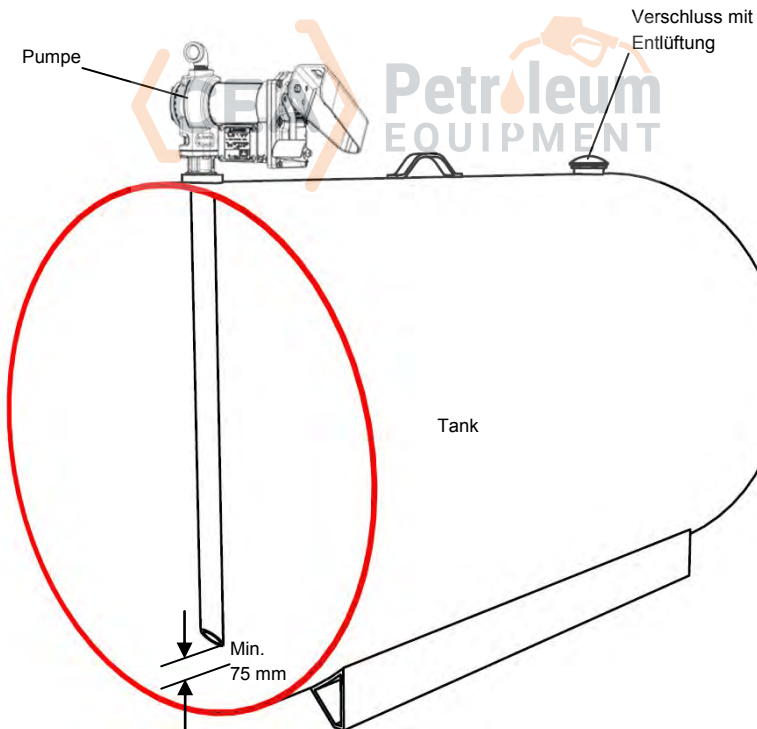
**VORSICHT!** Rohrgewindeverbindungen und Anschlüsse müssen mit geeignetem Dichtmittel oder Dichtband abgedichtet werden, um die Möglichkeit von Leckage zu eliminieren.



**WARNUNG!** Fill-Rite-Pumpen sind zur Verwendung mit stationären und mobilen Tankanwendungen vorgesehen. Gleichspannungsausführungen sind eine ausgezeichnete Wahl für mobile Anwendungen; jedoch ist die Verankerung des Tanks sehr wichtig, an dem die Pumpe montiert ist, um Bewegungen beim Transport zu vermeiden. Falls der Tank nicht am Fahrzeug gesichert wird, können unkontrollierte Bewegungen und damit Schäden, Verletzungen und möglicherweise ein Brand ausgelöst werden.

### Typische Montage an einem Tank auf Schienen

Die Pumpe wird mit dem Einlassflansch am Zapfen eines Tanks auf Schienen montiert. Das Saugrohr wird von unten in den Einlassflansch geschraubt und muss so lang sein, dass das Rohrende mindestens 75 mm über dem Tankboden liegt. Der Tank muss mit einem Verschluss mit Entlüftung versehen sein.

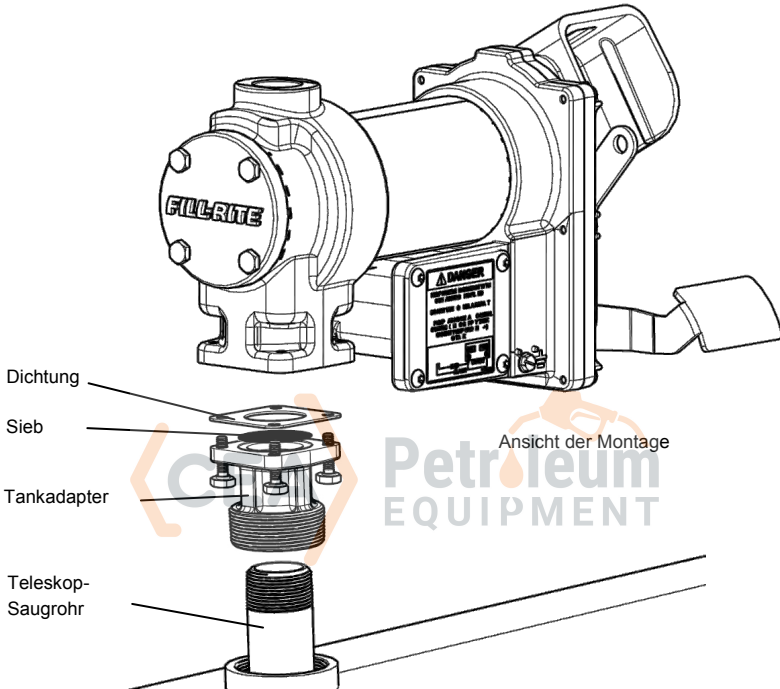




## Typische Montage an einem Tank auf Schienen

### Werkstoffe:

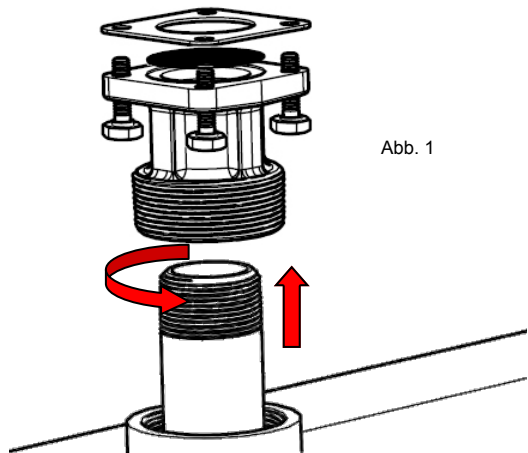
- Das 1-Zoll-Teleskoprohr so ausziehen, dass es bis 75 mm über den Tankboden reicht, wenn es in den Tankadapter eingeschraubt ist und der Tankadapter in den Tankflansch geschraubt ist (siehe Diagramm **MONTAGE AN EINEM TANK AUF SCHIENEN**).
- Für die Anwendung geeignetes Gewindedichtmittel für Rohrverschraubungen.



### Einbauverfahren:

1. Das 1-Zoll-Rohr in den Tankadapter schrauben. Das Gewinde mit einem geeigneten Dichtmittel flüssigkeitsdicht abdichten.

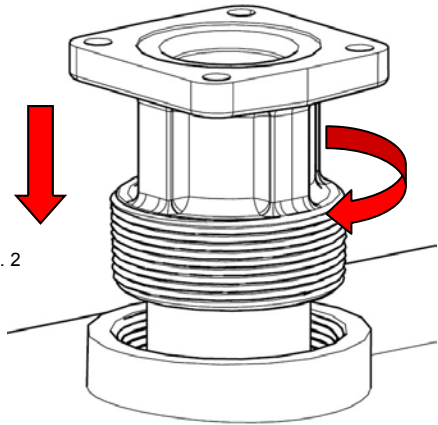
(Abb. 1)



Typische Montage an einem Tank auf Schienen (Forts.)

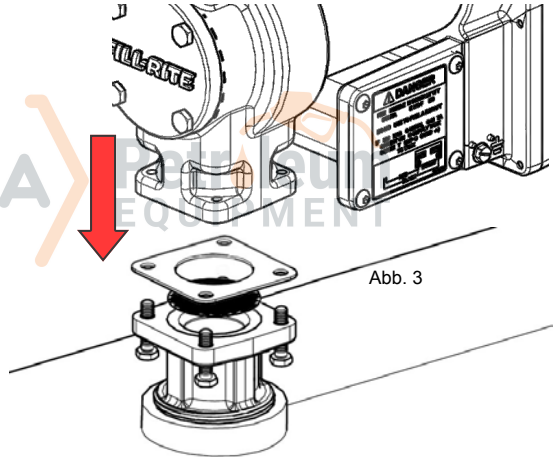
- Den Einlassflansch (mit dem Saugrohr) in den Tankflansch schrauben; das Gewinde mit einem geeigneten Dichtmittel flüssigkeitsdicht abdichten (Abb. 2).

Abb. 2



- Die Pumpe am Adapter montieren; sicherstellen, dass Dichtung und Sieb eingebaut werden wie dargestellt. (Abb. 3)

Abb. 3



## Verkabelung

### Verfahren für Gleichspannungsverkabelung

DC-Transferpumpen der FR1200G / FR2400G / FR4200G / FR4400G / SD1202G Serie



**VORSICHT!** Gleichspannungsbetriebene Pumpen sind je nach Modell für 12 oder 24 VDC vorgesehen. Sofern zutreffend, das mitgelieferte Batteriekabel verwenden, um die Pumpe von einer 12-V- oder 24-V-Gleichspannungsbatterie zu speisen. Eine 30-A-Sicherung (20-A-Sicherung bei 24-Gleichspannungsmotoren) muss im Batteriekabel vorgesehen werden (siehe Schaltplan auf Seite 9), um das Kabel gegen Kurzschluss zu sichern.



**VORSICHT!** Der Spannungsabfall in der Verkabelung hängt vom Abstand zwischen Batterie und Pumpe und dem Drahtdurchmesser ab. Falls der Abstand größer als 6,1 m ist, auf nationale, internationale oder örtliche Vorschriften Bezug nehmen, um den korrekten Drahtdurchmesser für diese Anwendung zu ermitteln.

## Aufgaben vor der Verkabelung mit Gleichspannung

Die Pumpe muss mit dem Versorgungstank oder Fahrzeugarahmen elektrisch verbunden sein. Um die Pumpe elektrisch zu verbinden, die grüne Verbindungsschraube neben dem Verteilerdosendeckel entfernen. Diese Schraube durch die Kabelöse des mitgelieferten grünen Verbindungsdrahts einsetzen und danach wieder sicher an der Pumpe befestigen. Das andere Ende des Drahts muss abisoliert und der blanke Draht am Fahrzeug-/Anhängerrahmen oder am auf Schienen aufgestellten Tank elektrisch leitend befestigt werden.



**WARNUNG!** Nicht den Plus- oder Minuspol an die grüne Schraube oder den Verbindungsdraht anschließen, da dies einen Brand verursachen kann.

### Verkabelungsanweisungen (siehe Abb. 4, Seite 8)

1. Den Deckel der Pumpen-Verteilerdose entfernen und die 2 Drähte gerade richten, damit die abisolierten Drahtende außerhalb der Verteilerdose zugänglich sind.
2. Den mitgelieferten Kabelstecker in die NPT\*-Kabelkanalöffnung in der Pumpen-Verteilerdose schrauben.
3. 150 mm des äußeren Mantels von einem Ende des mitgelieferten Stromkabels abisolieren und dabei darauf achten, dass die Isolierung des schwarzen und roten Drahts nicht beschädigt wird.
4. Die Mutter des Kabelsteckers lockern und das abisolierte Ende des mitgelieferten Kabels durch den Kabelstecker schieben. Die Mutter des Kabelsteckers festziehen.
5. 13 mm Isolierung von den Enden des roten und schwarzen Kabels abisolieren. Diese Drähte mit den mitgelieferten Muttern an die Pumpendrähte mit den jeweils gleichen Farben anschließen. Sicherstellen, dass keine blanken Drähte freiliegen.
6. Die Kabel in die Verteilerdose schichten und den Deckel anbringen. Sicherstellen, dass die Dichtung korrekt sitzt. Sicherstellen, dass alle Schrauben sitzen, damit kein Spalt zwischen Deckel und Verteilerdose vorhanden ist (siehe Textfeld „WICHTIG“ und die Seite 10 mit dem Schaltplan).

### Verkabelung mit der elektrischen Anlage eines Fahrzeugs (siehe Schaltplan, Seite 9)

1. Die Stromkabel zum Versorgungsanschluss der elektrischen Anlage des Fahrzeugs verlegen. Die Kabel nach Bedarf abstützen und vor scharfen Kanten, Hitze und Gegenständen schützen, die die Kabel beschädigen könnten.
2. Zur Bestimmung, ob die elektrische Anlage des Fahrzeugs eine **negative (-)** oder **positive (+)** Masse hat, die Batteriebezeichnung an dem Kontakt prüfen, der mit dem Fahrzeugarahmen oder Motorblock verdrahtet ist. Das rote Kabel von der Pumpe wird an den Batteriepluspol und das schwarze Kabel von Pumpe an den Batterieminuspol angeschlossen.
3. Ein Ende des Sicherungshalters an das Ende des nicht geerdeten Kabels anschließen. Eine gut leitende elektrische Verbindung zwischen dem anderen Ende des Sicherungshalters und der nicht geerdeten **Seite der Batterie und so nahe wie möglich** an der Batterie herstellen. Eine gut leitende elektrische Verbindung zwischen der geerdeten Seite der Batterie und dem anderen Kabel herstellen. Es wird der Batteriepol oder das Ende des Batteriekabels empfohlen.
4. Alle Anschlüsse prüfen, um sicherzustellen, dass diese gemäß den Anweisungen und allen elektrischen Vorschriften hergestellt wurden. Die 30-A-Sicherung (20-A-Sicherung bei 24-V-Gleichspannungsanwendungen) in den Sicherungshalter einsetzen. Der Einbau ist nun abgeschlossen.



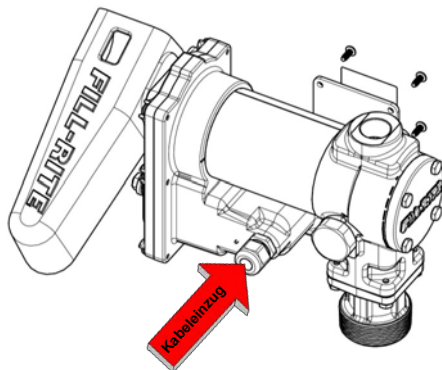
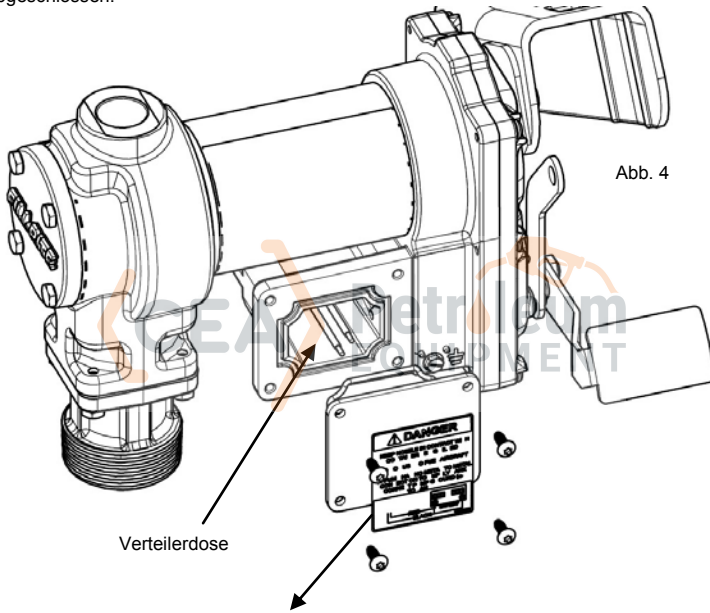
**WARNUNG!** Nicht versuchen, die Pumpe mit einem Kabel von weniger als Kabelstärke AWG12 mit dem Fahrzeug zu verbinden, beispielsweise über das Zigarettenanzünderkabel, da diese dünnen Kabel überhitzen und einen Brand auslösen können.

\*M20 Kabelkanaleinzug bei GE-Modellen

**Gleichspannungsverkabelung (Forts.)**

**Für auf Schienen montierten Tanks**

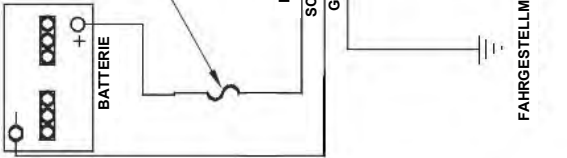
1. Die Stromkabel zur Stromquelle verlegen. Die Kabel nach Bedarf abstützen und vor scharfen Kanten, Hitze und Gegenständen schützen, die die Kabel beschädigen könnten.
2. Ein Ende des Sicherungshalters am **roten** Pumpenkabel **so nahe wie möglich an der Batterie/ Stromquelle anschließen**. Eine gut leitende elektrische Verbindung zwischen dem **positiven** Kontakt der Stromquelle und dem anderen Ende des Sicherungshalters herstellen. Eine gut leitende elektrische Verbindung zwischen dem **schwarzen** Pumpenkabel und dem **negativen** Kontakt der Stromquelle herstellen.
3. Alle Anschlüsse prüfen, um sicherzustellen, dass diese gemäß den Anweisungen und allen elektrischen Vorschriften hergestellt wurden. Die 30-A-Sicherung (20-A-Sicherung bei 24-V-Gleichspannungsanwendungen) in den Sicherungshalter einsetzen. Der Einbau ist nun abgeschlossen.



# Gleichspannungsschaltplan

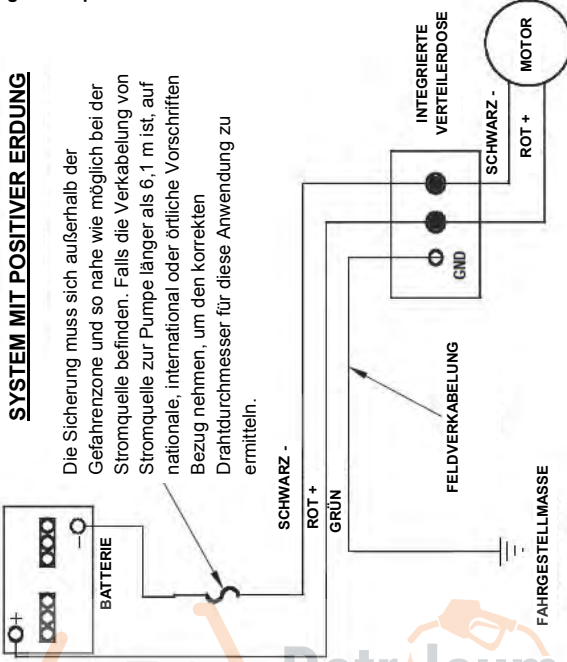
## SYSTEM MIT NEGATIVER ERDUNG

Die Sicherung muss sich außerhalb der Gefahrenzone und so nahe wie möglich bei der Stromquelle befinden. Falls die Verkabelung von Stromquelle zur Pumpe länger als 6,1 m ist, auf nationale, internationale oder örtliche Vorschriften Bezug nehmen, um den korrekten Drahtdurchmesser für diese Anwendung zu ermitteln.



## SYSTEM MIT POSITIVER ERDUNG

Die Sicherung muss sich außerhalb der Gefahrenzone und so nahe wie möglich bei der Stromquelle befinden. Falls die Verkabelung von Stromquelle zur Pumpe länger als 6,1 m ist, auf nationale, internationale oder örtliche Vorschriften Bezug nehmen, um den korrekten Drahtdurchmesser für diese Anwendung zu ermitteln.



# Wechselspannungsschaltplan

## AC-Transferpumpen der FR600G / SD602G Serie



**WARNING!** Die Verkabelung darf NUR von einem lizenzierten Elektriker durchgeführt werden und muss gemäß dem vorgesehenen Verwendungszweck der Pumpe den geltenden örtlichen und landesweiten Vorschriften, dem technischen Regelwerk sowie NEC/ANSI/NFPA 70, NFPA 30 und NFPA 30A entsprechen. Die Pumpe muss vorschriftsmäßig geerdet sein. Unsachgemäßer Einbau oder Einsatz dieser Pumpe kann zu schweren oder tödlichen Verletzungen führen!



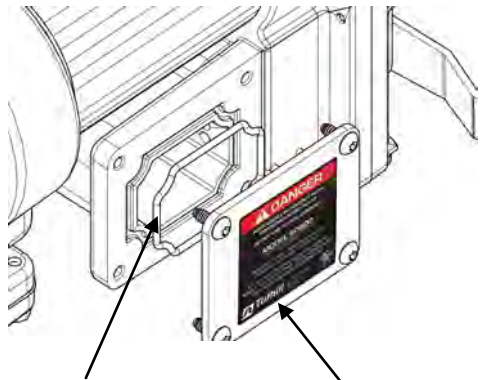
**VORSICHT!** Alle Pumpen müssen mit der am Typenschild angegebenen Nennspannung betrieben werden. Wechselspannung muss über einen eigenen Stromkreis mit 15-A-Sicherung zur Pumpe geführt werden. Dieser Stromkreis darf keine anderen Ausrüstungen versorgen. Die Verkabelung muss ausreichend bemessen sein, um die richtige Stromstärke für die Pumpe zu liefern (mindestens Größe AWG 12). Der Spannungsabfall hängt vom Abstand zur Pumpe und der Kabelgröße ab. Auf nationale, internationale und örtliche Vorschriften oder die US-Norm NEC Bezug nehmen, um den Ausgleich des Spannungsabfalls zu ermitteln und sicherzustellen, dass der korrekte Drahtdurchmesser für diese Anwendung verwendet wird.

### Verfahren für Wechselspannungverkabelung

1. Den Deckel der Verteilerdose entfernen und die Drähte gerade richten, damit die abisolierten Drahtende außerhalb der Verteilerdose zugänglich sind.
2. Starre Kabelkanäle und geeignete Verkabelung von der Stromquelle zur Verteilerdose verlegen, damit die Explosionssicherheit erhalten bleibt. Die Stromversorgung muss durch einen eigenen 15-A-Trennschalter geführt werden; dieser Stromkreis darf keine anderen Ausrüstungen versorgen.
3. Die Pumpenkabel gemäß Schaltplan (Seite 11) an die Versorgungsleitungen anschließen. Darauf achten, dass die Anschlüsse mit geeigneten Kabelmuttern und anderen Steckverbindern vorschriftsmäßig isoliert werden. Es ist zu beachten, dass das Massekabel angeschlossen werden **MUSS** (der Massekabelanschluss befindet sich in der Verteilerdose; siehe Abb. 5, Seite 11).
4. Die Kabel in die Verteilerdose schichten und den Deckel anbringen. Sicherstellen, dass die Deckeldichtung korrekt sitzt.



**WICHTIG!** Darauf achten, dass der Deckel der Verteilerdose aufgesetzt ist. Die Schrauben ziehen den Deckel dicht gegen die Verteilerdose fest. Es darf kein Spalt zwischen Verteilerdose und Deckel vorhanden sein. Die Dichtung muss witterungsfest sein, damit keine Feuchtigkeit in die Verteilerdose eindringen kann.



Dichtung der Verteilerdose

Deckel der Verteilerdose

## Verteilerdose der AC-Pumpe (AC-Transferpumpen der FR600G Serie)

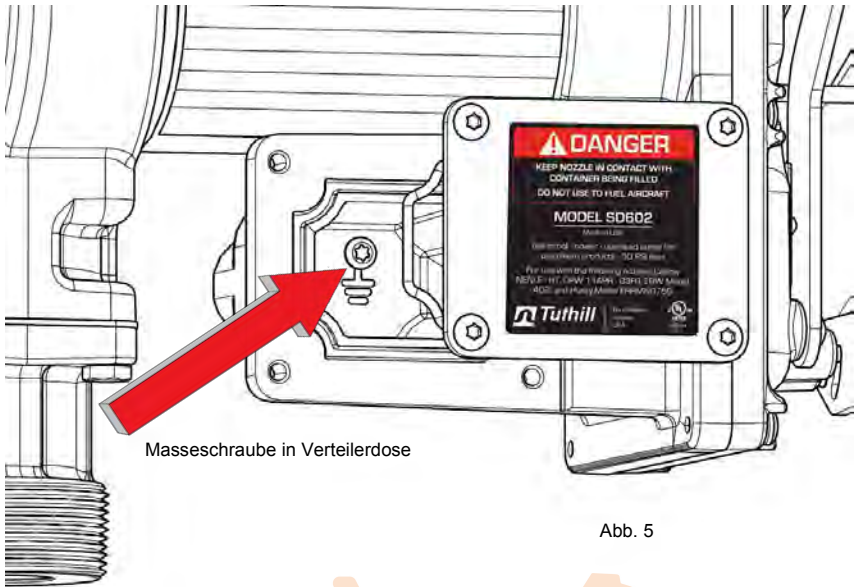
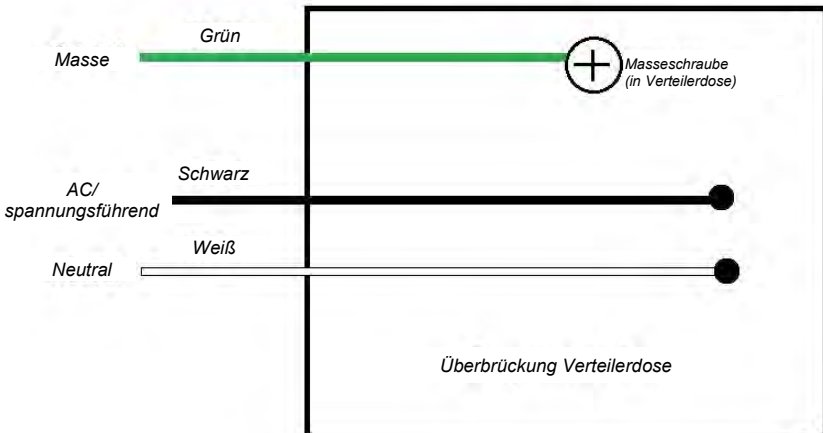


Abb. 5

## Schaltplan für Wechselspannungsausführung

(AC-Transferpumpen der FR600G Serie)

### 115 VAC Schaltplan



**WARNUNG!** Das Massekabel in der Versorgungsleitung MUSS an die Masseschraube in der Verteilerdose angeschlossen werden.

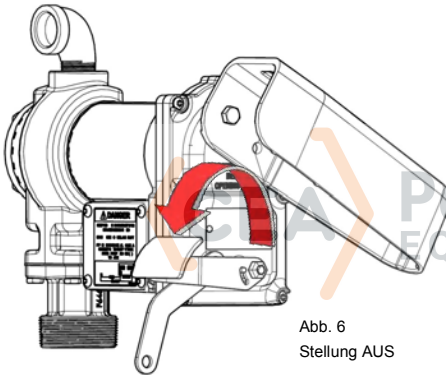
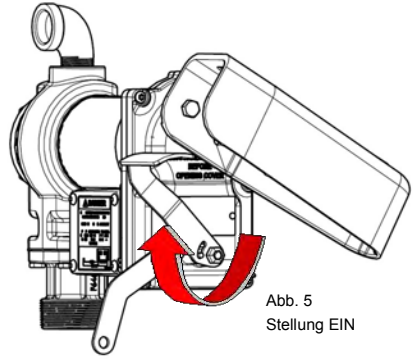


## Betriebsanweisungen



**WARNUNG!** Das Zapfventil **beim Füllen** stets in Kontakt mit dem Behälter halten, der gefüllt wird, um die Möglichkeit statischer Aufladung zu minimieren.

1. Falls vorhanden, den Zähler auf „0“ zurücksetzen (nicht während des Betriebs zurücksetzen, da dies den Zähler beschädigen kann).
2. Das Zapfventil aus der Halterung nehmen.
3. Den Schalthebel auf EIN stellen, um die Pumpe einzuschalten (Abb. 5).
4. Das Zapfventil in den Behälter stecken, der gefüllt werden soll.
5. Das Zapfventil betätigen, um Flüssigkeit zu pumpen; das Zapfventil loslassen, nachdem die gewünschte Flüssigkeitsmenge abgegeben wurde.

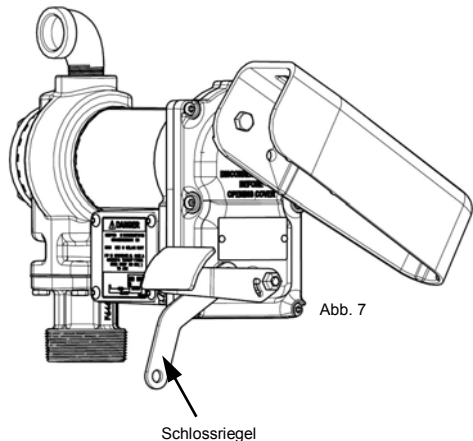


6. Den Schalthebel auf AUS stellen, um die Pumpe auszuschalten (Abb. 6).
7. Das Zapfventil aus dem gefüllten Behälter nehmen und in der Halterung unterbringen.

## Anbringen des Vorhängeschlosses

Das Zapfventil der Fill-Rite-Pumpe kann aus Sicherheitsgründen mit einem Vorhängeschloss an der Pumpe befestigt werden. Wenn die Pumpe abgeschaltet und das Zapfventil in der Halterung ist, kann ein Vorhängeschloss durch den Schlossriegel und Zapfventil-Auslöshebel eingesetzt werden.

Der Schlossriegel befindet sich auf der Zapfventilseite der Pumpe und kann umgeklappt werden, damit er für verschiedene Zapfventile passt (Abb. 7).





## Störungsbeseitigung

Die folgende Anleitung zur Fehlersuche enthält grundlegende Diagnoseinformationen, mit denen eine ungewöhnliche Funktionsweise des Fill-Rite-Produktes untersucht werden kann.

Bei Fragen zum Einbau, Betrieb oder zur Instandhaltung des Produktes kontaktieren Sie bitte unsere Kundendienstabteilung unter der Rufnummer (+1) 800-634-2695 (Mo-Fr 8.00 – 17.00 Uhr EST). Sie erreichen uns auch im World Wide Web unter „www.fillrite.com“.



**WARNUNG! KEINESFALLS** den Motor der Fill-Rite-Pumpe öffnen oder zu reparieren versuchen. Er muss an die Verkaufsstelle zurückgebracht werden. Wenn das Motorgehäuse geöffnet wird, kann dies die explosions sichere Bauweise beeinträchtigen. Dadurch wird außerdem die Garantie und Zulassung ungültig.



**WARNUNG!** Sicherstellen, dass die gesamte Stromversorgung zur Pumpe abgetrennt wird, bevor Wartungs- oder Instandsetzungsarbeiten durchgeführt werden.

Symptom	Ursache	Abhilfe
Pumpe lässt sich nicht vorfüllen.	1. Problem in Saugleitung.	Auf Lecks oder Blockaden in Saugleitung prüfen.
	2. Bypassventil ist offen.	Ventil ausbauen und prüfen; es muss frei beweglich und rückstandsfrei sein.
	3. Schieber klemmen.	Schieber und Kanäle auf Kerben, Grate und Verschleiß prüfen.*
	4. Übermäßiger Rotor- oder Schieberverschleiß.	Rotor und Schieber auf starken Verschleiß oder Schäden prüfen; gegebenenfalls austauschen.*
	5. Dampfblasenbildung	Vertikalen und horizontalen Abstand von Pumpe zu Flüssigkeit verringern; automatische Zapfventile entfernen.
Mangelhafte Förderleistung.	1. Zu viel Schmutz im Sieb.	Sieb ausbauen und reinigen.
	2. Problem in Saugleitung.	Saugleitung auf Lecks oder Blockierungen prüfen; sie kann zu klein, lang oder nicht luftdicht sein.
	3. Bypassventil klemmt.	Ventil ausbauen und prüfen; es muss frei beweglich und rückstandsfrei sein.
	4. Auslass ist blockiert.	Pumpenauslass, Schlauch, Zapfventil und Filter auf Blockierung prüfen.
	5. Schieber klemmen.	Schieber und Kanäle auf Verschleiß prüfen.*
	6. Übermäßiger Rotor- oder Schieberverschleiß.	Rotor und Schieber auf starken Verschleiß oder Schäden prüfen; gegebenenfalls austauschen.*
	7. Schlauch oder Zapfventil ist beschädigt.	Schlauch oder Zapfventil austauschen.
	8. Filter ist verstopft.	Filter austauschen.
	9. Niedriger Flüssigkeitsstand.	Tank füllen.
Pumpe läuft langsam.	1. Falsche Spannung.	Versorgungsspannung bei laufender Pumpe prüfen.
	2. Schieber klemmen.	Schieber und Kanäle auf Kerben, Grate und Verschleiß prüfen.*
	3. Verkabelungsproblem.	Auf lose Anschlussstellen prüfen.
	4. <b>Motorproblem.</b>	<b>Zur Verkaufsstelle zurückbringen.</b>

Auf Seite 14 wird die Bedeutung von **fettgedrucktem** Text und Angaben mit \* erläutert.

## Störungsbeseitigung (Forts.)

Motor stirbt ab / Sicherung brennt durch oder thermischer Überlastschutz wird wiederholt ausgelöst.	1. Bypassventil klemmt.	Ventil ausbauen und prüfen; es muss frei beweglich und rückstandsfrei sein.
	2. Niedrige Spannung.	Versorgungsspannung bei laufender Pumpe prüfen.
	3. Übermäßiger Rotor- oder Schieberverschleiß.	Rotor und Schieber auf starken Verschleiß oder Schäden prüfen.*
	4. Rückstände in Pumpenkammer.	Rückstände aus Pumpenkammer reinigen.
Motor überhitzt.	1. Pumpen von hochviskosen Flüssigkeiten.	Diese Flüssigkeiten dürfen nur kurz (weniger als 30 Minuten Einschaltdauer) gepumpt werden.
	2. Verstopftes Sieb.	Sieb ausbauen und reinigen.
	3. Verstopfte Saugleitung.	Rohr ausbauen und reinigen.
	4. <b>Motorausfall.</b>	<b>Zur Verkaufsstelle zurückbringen.</b>
	5. Pumpenrotor blockiert.	Pumpenrotor und Schieber reinigen und prüfen.*
Motor ist funktionsunfähig.	1. Keine Stromversorgung.	Stromversorgung prüfen.
	2. Schalterdefekt.	Schalter austauschen (KIT120SW).
	3. <b>Motorausfall.</b>	<b>Zur Verkaufsstelle zurückbringen.</b>
	4. <b>Thermischer Überlastschutz defekt.</b>	<b>Zur Verkaufsstelle zurückbringen.</b>
	5. Falsche/lockere Verkabelung.	Verkabelung prüfen.
Flüssigkeitsleck.	1. Mangelhafte O-Ring-Dichtung.	Alle O-Ring-Dichtungen prüfen.
	2. Verschmutzter Wellendichtring.	Dichtring und Dichtungsraum reinigen.
	3. Defekter Wellendichtring.	Dichtring austauschen.
	4. Unverträgliche Flüssigkeit.	Liste der benetzten Werkstoffe dem Flüssigkeitshersteller vorlegen.
	5. Lockere Befestigungsteile.	Befestigungsteile festziehen.
Pumpe summt, lässt sich aber nicht betreiben.	1. <b>Motorausfall.</b>	<b>Zur Verkaufsstelle zurückbringen.</b>
	2. Gebrochene Rotor-Passfeder.	Alle Rückstände entfernen und Passfeder austauschen.

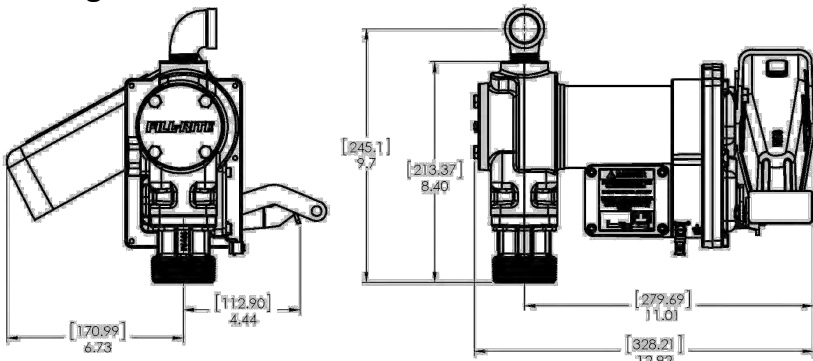
**Fettgedruckter Text** weist auf Wartungsaufgaben hin, die der Eigentümer nicht selbst durchführen kann; die Pumpe muss dazu an die Verkaufsstelle zurückgebracht werden.

\* Bei mit einem Sternchen (\*) gekennzeichneten Reparaturen ist der Reparatursatz KIT120RG erforderlich. Dieser Satz enthält einen Ersatzrotor und neue Schieber sowie einige andere wichtige Dichtungen und Komponenten, die für die Reparatur benötigt werden. Einzelheiten zu diesem Satz sind auf Seite 18 angegeben.



**WARNING!** Die Stromversorgung abtrennen und Druck in den Leitungen entlasten, bevor diese Pumpe gewartet wird! Andernfalls können Maschinenschäden und schwere oder tödliche Verletzungen die Folge sein!

## Maßangaben



## Technische Informationen – DC-Pumpen (G/GE-Modelle)

Motor	Serien FR1200		Serien FR2400	
Stromversorgung - Wechselspannung 115, 230, 115/230 V~	-		-	
HZ 50, 60, 50/60	-		-	
Stromversorgung - Gleichspannung 12, 24, 12/24 V	12		24	
Nennleistung (PS)	0,25 PS		0,25 PS	
Netzkabel Länge (Fuß)	18'		18'	
Netzkabel Stärke (AWG)	12 AWG		12 AWG	
Gleichspannungsnetzkabel-Stecker	KEINE		KEINE	
A (FLA)	20		10	
1/min	2600		2600	
Arbeitszyklus	30 min		30 min	
Thermischer Überlastschalter	Ja		Ja	
Stromkreis-Sicherung	KEINE		KEINE	
Zulassungen	UL, cUL Motor, ATEX, CE*, ANZEx, INMETRO		UL, cUL Motor, ATEX, CE*, ANZEx, INMETRO	
Pumpe	Serien FR1200		Serien FR2400	
Typ - Kreisel, Membran, Zahnrad, Schieber	Drehschieber		Drehschieber	
gal/min in gelieferter Ausführung	bis 15		bis 15	
gal/min offene Strömung - kein Schlauch/Zapfventil	bis 18,5		bis 18,5	
Nennwert Bypass-Druck (psi) - Max.	16 psi		16 psi	
Trockensaughöhe (in Hg)	5		5	
Druckhöhe (Fuß)	37		37	
Heberschutzventil	keines		keines	
Einlass - Größe/Gewinde	1" NPT	1" BSPP*	1" NPT	1" BSPP*
Auslass - Größe/Gewinde	3/4" NPT	3/4" BSPP*	3/4" NPT	3/4" BSPP*
Montage	2" Zapfen NPT	2" BSPT*	2" Zapfen NPT	2" BSPT*
Bauwerkstoffe - Pumpengehäuse	Gusseisen		Gusseisen	
Bauwerkstoffe - benetzt	BUNA-N		BUNA-N	
Rotorwerkstoff	Hochfrequenzstahl		Hochfrequenzstahl	
Rotorschieber-Werkstoff	Sinterbronze		Sinterbronze	
Verträgliche Flüssigkeiten	Diesel, Benzin, Biodiesel bis zu B20, E15, Kerosin		Diesel, Benzin, Biodiesel bis zu B20, E15, Kerosin	
Siebmaschenweite	20 x 20		20 x 20	
Garantie	2 Jahre		2 Jahre	
Zulassungen	ATEX, CE*, ANZEx, INMETRO		ATEX, CE*, ANZEx, INMETRO	

## Technische Informationen – DC-Pumpen (G/GE-Modelle)

<b>Motor</b>	<b>Serien FR4200</b>		<b>Serien FR4400</b>	
Stromversorgung - Wechselspannung 115, 230, 115/230 V	-		-	
HZ 50, 60, 50/60	-		-	
Stromversorgung - Gleichspannung 12, 24, 12/24 V	12		24	
Nennleistung (PS)	0,25 PS		0,25 PS	
Netzkabel Länge (Fuß)	18'		18'	
Netzkabel Stärke (AWG)	12 AWG		12 AWG	
Gleichspannungsnetzkabel-Stecker	KEINE		KEINE	
A (FLA)	20		10	
1/min	2600		2600	
Arbeitszyklus	30 min		30 min	
Thermischer Überlastschalter	Ja		Ja	
Stromkreis-Sicherung	KEINE		KEINE	
Zulassungen	UL, cUL Motor, ATEX, CE*, ANZEx, INMETRO		ATEX, CE*, ANZEx, INMETRO	
<b>Pumpe</b>	<b>Serien FR4200</b>		<b>Serien FR4400</b>	
Typ - Kreisell, Membran, Zahnrad, Schieber	Drehschieber		Drehschieber	
gal/min in gelieferter Ausführung	bis 20		bis 20	
gal/min offene Strömung - kein Schlauch/ Zapfventil	21		bis 20	
Nennwert Bypass-Druck (psi) - Max.	16 psi		16 psi	
Trockensaughöhe (in Hg)	5		5	
Druckhöhe (Fuß)	37		37	
Heberschutzventil	keines		keines	
Einlass - Größe/Gewinde	1" NPT	1" BSPP*	1" NPT	1" BSPP*
Auslass - Größe/Gewinde	1" NPT	1" BSPP*	1" NPT	1" BSPP*
Montage	2" Zapfen NPT	2" BSPT*	2" Zapfen NPT	2" BSPT*
Bauwerkstoffe - Pumpengehäuse	Gusseisen		Gusseisen	
Bauwerkstoffe - benetzt	BUNA-N		BUNA-N	
Rotorwerkstoff	Hochfrequenzstahl		Hochfrequenzstahl	
Rotorschieber-Werkstoff	Sinterbronze		Sinterbronze	
Verträgliche Flüssigkeiten	Diesel, Benzin, Biodiesel bis zu B20, E15, Kerosin		Diesel, Benzin, Biodiesel bis zu B20, E15, Kerosin	
Siebmaschenweite	20 x 20		20 x 20	
Garantie	2 Jahre		2 Jahre	
Zulassungen	ATEX, CE*, ANZEx, INMETRO		ATEX, CE*, ANZEx, INMETRO	

\* Modelle mit CE-Zertifikat: siehe Seite 20

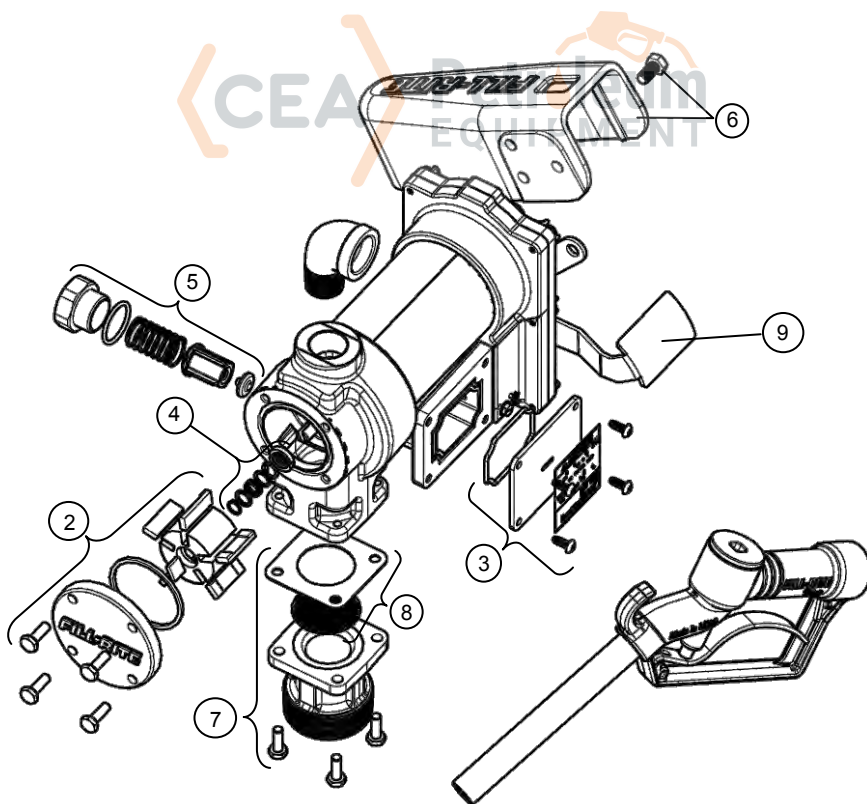
## Technische Informationen – AC-Pumpen

<b>Motor</b>	<b>FR600</b>	<b>SD600</b>
Stromversorgung - Wechselspannung 115, 230, 115/230 V	115 V~	115 V~
Hz 50, 60, 50/60	60 Hz	60 Hz
Stromversorgung - Gleichspannung 12, 24, 12/24 V	-	-
Nennleistung (PS)	0,17 PS	0,17 PS
Netzkabel Länge (Fuß)	-	-
Netzkabel Stärke (AWG)	-	-
Gleichspannungsnetzkabel	-	-
A (FLA)	2.0 A	2.0 A
1/min	2000	2000
Arbeitszyklus	30 min	30 min
Thermischer Überlastschalter	Ja	Ja
Stromkreis-Sicherung	keine	keine
Zulassungen	UL/cUL	UL/cUL
<b>Pumpe</b>	<b>FR600</b>	<b>SD600</b>
Typ - Kreisel, Membran, Zahnrad, Schieber	Drehschieber	Drehschieber
gal/min in gelieferter Ausführung	bis 14,8	bis 14,8
gal/min offene Strömung - kein Schlauch/Zapfventil	bis 17,4	bis 17,4
Nennwert Bypass-Druck (psi) - Max.	16 psi	16 psi
Trockensaughöhe (in Hg)	5	5
Druckhöhe (Fuß)	37	37
Heberschutzventil	keines	keines
Einlass - Größe/Gewinde	1-Zoll-NPT	1-Zoll-NPT
Auslass - Größe/Gewinde	1-Zoll-NPT	1-Zoll-NPT
Montage	2-Zoll-Zapfen (NPT)	2-Zoll-Zapfen (NPT)
Bauwerkstoffe - Pumpengehäuse	Gusseisen	Gusseisen
Bauwerkstoffe - benetzt	BUNA-N	BUNA-N
Rotorwerkstoff	Hochfrequenzeisen	Hochfrequenzeisen
Rotorschieber-Werkstoff	Sinterbronze	Sinterbronze
Verträgliche Flüssigkeiten	Diesel, Benzin, Biodiesel bis zu B20, E15, Kerosin	Diesel, Benzin, Biodiesel bis zu B20, E15, Kerosin
Siebmaschenweite	20 x 20	20 x 20
Garantie	2 Jahre	1 Jahre
Zulassungen	UL/cUL	UL/cUL

## Sätze und Ersatzteile

#	Satz	Beschreibung	Teile-Nr.
1	KIT120BD*	BioDiesel-Satz*	O-Ring-Dichtung, Bypassventilteller, Bypasskappendichtung, Einlassdichtung
2	KIT120RG	Rotor- und Schiebersatz	Rotorabdeckung, Rotor, Schieber, Rotor-Passfeder, O-Ring-Dichtung, Befestigungsteile
3	KIT120JC	Verteilerdosendeckel-Satz	Verteilerdosendeckel, Dichtung, Befestigungselemente
4	KIT120SL	Dichtungssatz	O-Ring, Wellendichtringe, Sicherungsklammer
5	KIT120BV	Bypass-Wartungssatz	Sieb, Bypassventil, Ventillfeder, Bypasskappe, O-Ring-Dichtung
6	KIT120NB	Zapfventil-Halterungssatz	Zapfventilhalterung, Befestigungsteile
7	KIT120BG	Einlassflanschsatz	Einlassflansch (Zapfen), Befestigungsteile, Einlassdichtung, Sieb
8	KIT120SG	Einlassdichtung und Sieb	Dichtung für Einlass (Zapfen) und Sieb
9	KIT120SW	Schalthebelsatz	Schalthebel, Befestigungsteile

\*KIT120BD ist im Diagramm unten nicht angegeben.



## Zubehör

3/4-Zoll-Zubehör	Beschreibung
FRHMN075S	Manuelles 3/4-Zoll-Zapfventil, Aluminium
N075DAU10	Automatisches 3/4-Zoll-Zapfventil
807CMK	Mechanischer Zähler der 800 Serie (US-Gallonen)
807CLMK	Mechanischer Zähler der 800 Serie (Liter)
700F3135	3/4 Zoll x 3,7 m (12 Fuß) Schlauch, UL
FRH07512	3/4 Zoll x 3,7 m (12 Fuß) Schlauch
FRH07514	3/4 Zoll x 4,3 m (14 Fuß) Schlauch
FRH07520	3/4 Zoll x 6,1 m (20 Fuß) Schlauch
S075H1314	3/4-Zoll-Drehgelenk, mehrere Ebenen
1200KTG9075	3/4-Zoll-Filterkopf (für Einsatz mit F18-Filter)
1-Zoll-Zubehör	Beschreibung
FRHMN100S	Manuelles 1-Zoll-Zapfventil, Aluminium
N100DAU10	Automatisches 1-Zoll-Zapfventil
N100DAU13	Automatisches 1-Zoll-Zapfventil, extrem hoher Durchfluss
901CMK4200	Mechanischer Zähler der 900 Serie (US-Gallonen)
900CLMK4200	Mechanischer Zähler der 900 Serie (Liter)
900CD	Digitalzähler der Serie 900 (programmierbar)
900CDP	Digitalzähler der Serie 900 mit integriertem Impulsgeber (programmierbar)
300F7773	1 Zoll x 3,7 m (12 Fuß) Schlauch, UL
FRH10012	1 Zoll x 3,7 m (12 Fuß) Schlauch
FRH10014	1 Zoll x 4,3 m (14 Fuß) Schlauch
FRH10020	1 Zoll x 6,1 m (20 Fuß) Schlauch
S100H1315	1-Zoll-Drehgelenk, mehrere Ebenen
700ACCF7017	1-Zoll-Filterkopf (für Einsatz mit F40-Filter)



900CD



N100DAU13



700ACCF7017

## Sicherheitsprüfungszulassungen

Die **Fill-Rite**-Pumpen wurden auf Konformität mit den Normen geprüft, die von Underwriters Laboratories ATEX, ANZEx, INMETRO und IEx vorgeschrieben werden.



Modell Serie	ATEX	ANZEx	IEx
	94/9/EC	AS 2380.1 AS 2380.2 AS 1939	IEC 60079-0 IEC 60079-1
FR1200GE	X	X	X
FR2400GE	X	X	X
FR4200GE	X	X	X
FR4400GE	X	X	X
Zulassungsdatum	24. Mai 2012	30. Mai 2012	31. August 2012

94/9/EG (bis zum 19. April 2016) und 2014/34/EU (nach April 20,2016). Betriebsmittel und Schutzsysteme zur Verwendung in explosionsgefährdeten Bereichen.

AS2380.1: Elektrische Betriebsmittel für explosionsgefährdete Bereiche - Explosion - Schutztechniken - Teil 1: Allgemeine Anforderungen.

AS2380.2: Elektrische Betriebsmittel für explosionsgefährdete Bereiche - Explosion - Schutztechniken - Teil 2: Druckfeste Kapselung d. (Klasse I Gruppe D).

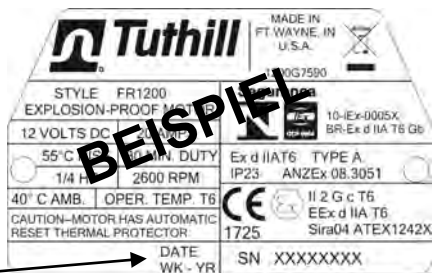
AS1939: Schutzarten von Gehäusen bei elektrischen Betriebsmitteln.

IEC 60079-0: Explosionsgefährdete Bereiche - Teil 0: Betriebsmittel - Allgemeine Anforderungen.

IEC 60079-0: Explosionsgefährdete Bereiche - Teil 1: Betriebsmittelschutz durch druckfeste Kapselung d. (Klasse I Gruppe D)

### Angaben am Motortypenschild

Das Motortypenschild der Fill-Rite-Pumpe enthält wichtige technische Daten und Leistungsangaben. Dieses Typenschild muss immer an der Pumpe angebracht bleiben.



Lage des Datumstempels

Besuchen Sie uns im Web unter:

[www.fillrite.com](http://www.fillrite.com)

Erfahren Sie mehr über die Tuthill Corporation und unsere Angebot an hochwertigen, wertschöpfenden Produkten unter :

[www.tuthill.com](http://www.tuthill.com)

# FILL-RITE

8825 Aviation Drive  
Ft. Wayne, IN 46809  
1-800-634-2695