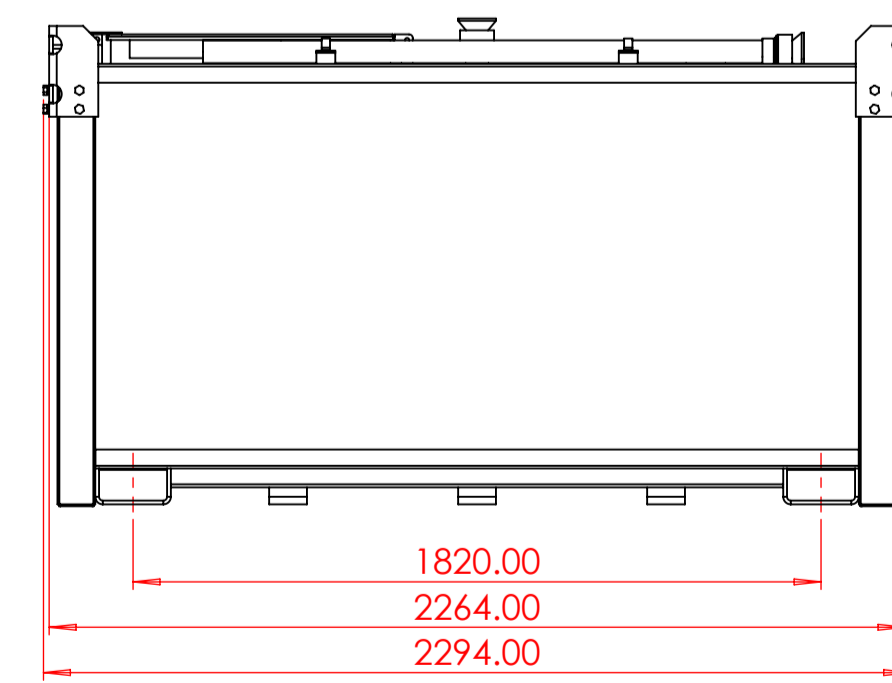
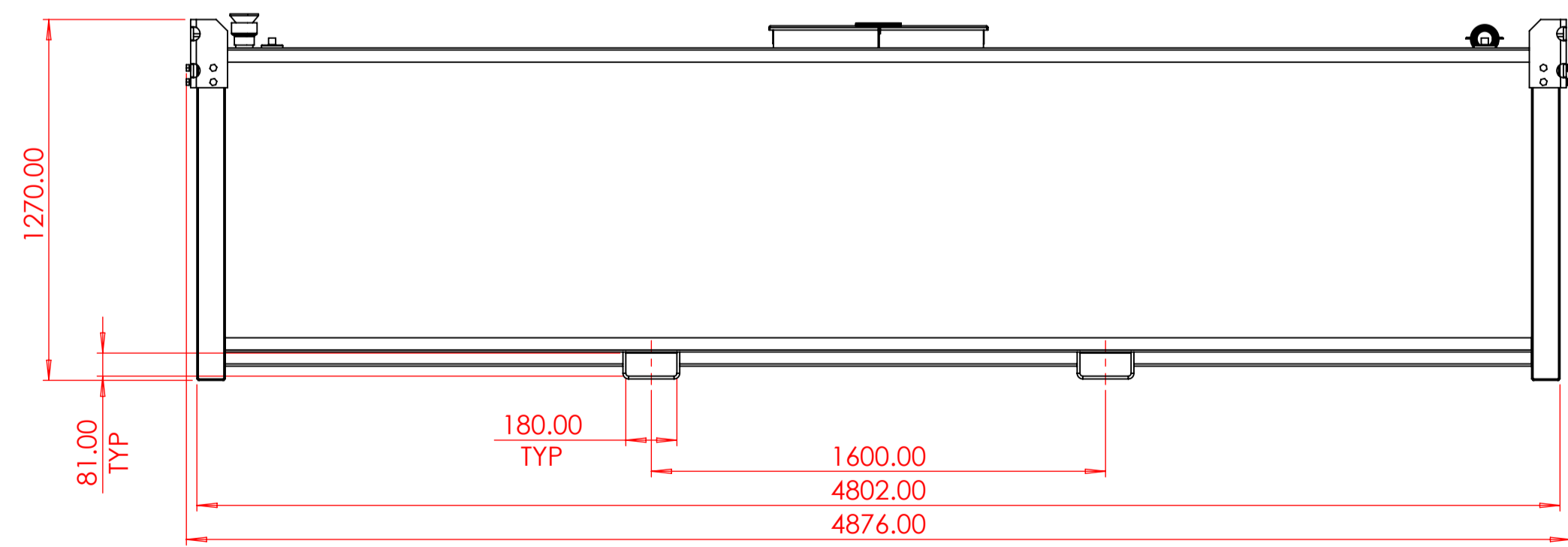
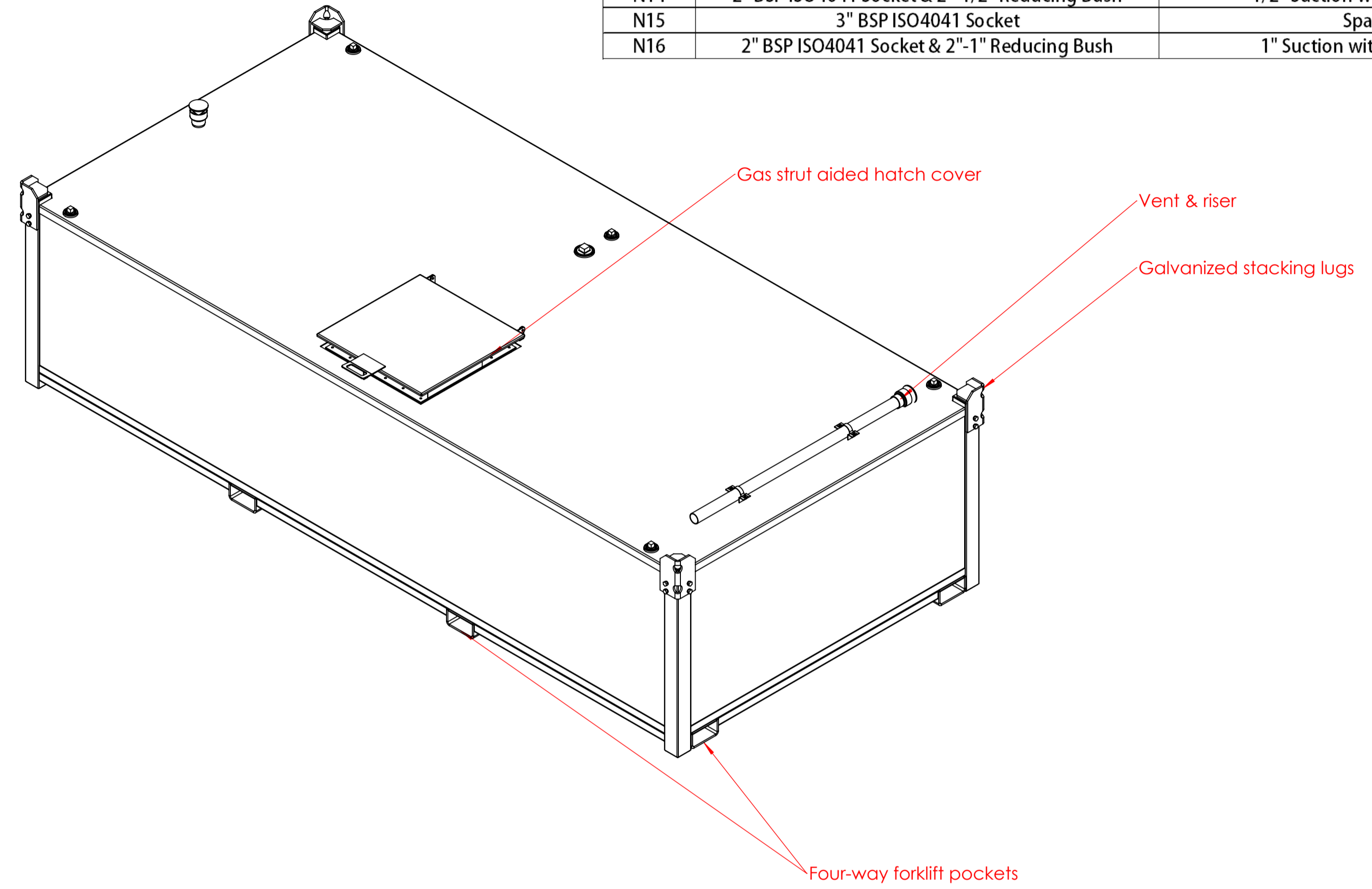
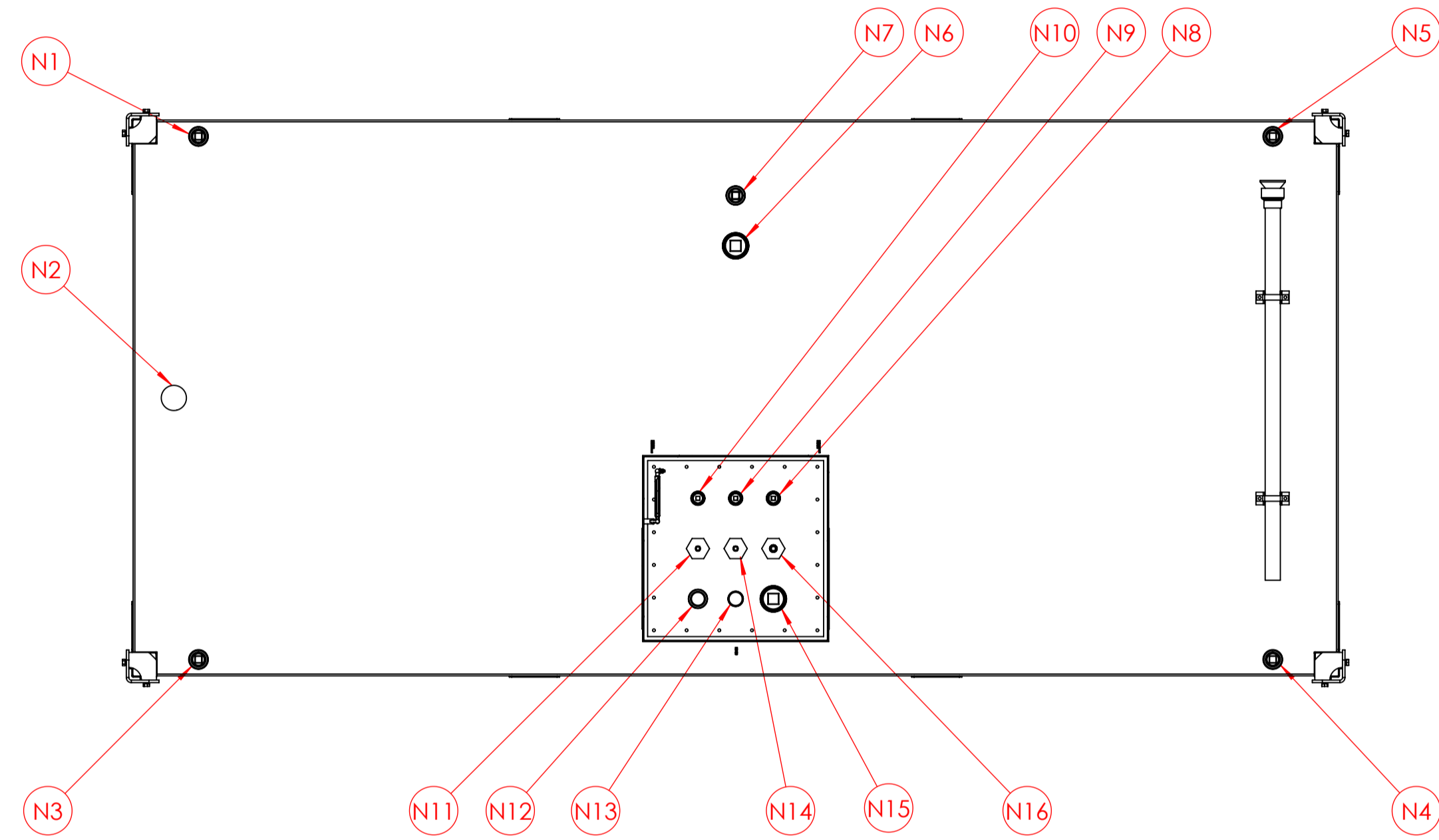


Nozzle Schedule		
Nozzle ID	Connection	Service
N1	2" BSP ISO4041 Socket	Spare (plugged)
N2	2" BSP ISO4041 Socket	Interstitial Vent
N3	2" BSP ISO4041 Socket	Spare (plugged)
N4	2" BSP ISO4041 Socket	Spare (plugged)
N5	2" BSP ISO4041 Socket	Spare (plugged)
N6	3" BSP ISO4041 Socket	Spare (plugged)
N7	2" BSP ISO4041 Socket	Primary Vent (Default location)
N8	1 1/2" BSP ISO4041 Socket	Return to tank (plugged)
N9	1 1/2" BSP ISO4041 Socket	Return to tank (plugged)
N10	1 1/2" BSP ISO4041 Socket	Return to tank (plugged)
N11	2" BSP ISO4041 Socket & 2"-1/2" Reducing Bush	1/2" Suction with foot valve (plugged)
N12	2" BSP ISO4041 Socket	2" Primary fill point (capped)
N13	2" Dip tube with BSP thread (top)	Dipstick with striker plate (capped)
N14	2" BSP ISO4041 Socket & 2"-1/2" Reducing Bush	1/2" Suction with foot valve (plugged)
N15	3" BSP ISO4041 Socket	Spare (plugged)
N16	2" BSP ISO4041 Socket & 2"-1" Reducing Bush	1" Suction with foot valve (plugged)



Tank	
TANK CONTENTS	Diesel
DESIGNED TO	AS1940 / AS1692
BUILT TO	AS1657 / AS1554.1
Plate Thickness, Material	4/4 mm, Q235B
Pressure Test	35 KPA
External size	4876x2294x1270mm
Internal size	4768x2186x1058mm
GROSS VOLUME	11,000 L
SAFE FILL LEVEL	10,000 L
N.D.T.	MPT/DPT
TOTAL MASS	2,683 KG



COPYRIGHT NOTICE  
This drawing remains property of GO Industrial Pty Ltd and is not intended for distribution

THIRD ANGLE PROJECTION		
DRAWN BY: IA	CHECK DRW: A1	
CLIENT:	PROJECT NO:	DRAWING NUMBER: BOX-11
PAGE: 1 OF 1	SCALE 1:20	REV. 04/11/19

REV. DATE	REVISION DESCRIPTION	CHKD	APPR	REV. DATE	REVISION DESCRIPTION	CHKD	APPR	REFERENCE DRAWING No.	REFERENCE DRAWINGS

All dimensions are in mm unless specified otherwise  
Drawn to AS1100.101-1992

MATERIAL: Plain Carbon Steel  
FINISH: RAL9003 Signal White  
PAGE: 1 OF 1

TITLE: BOX-11