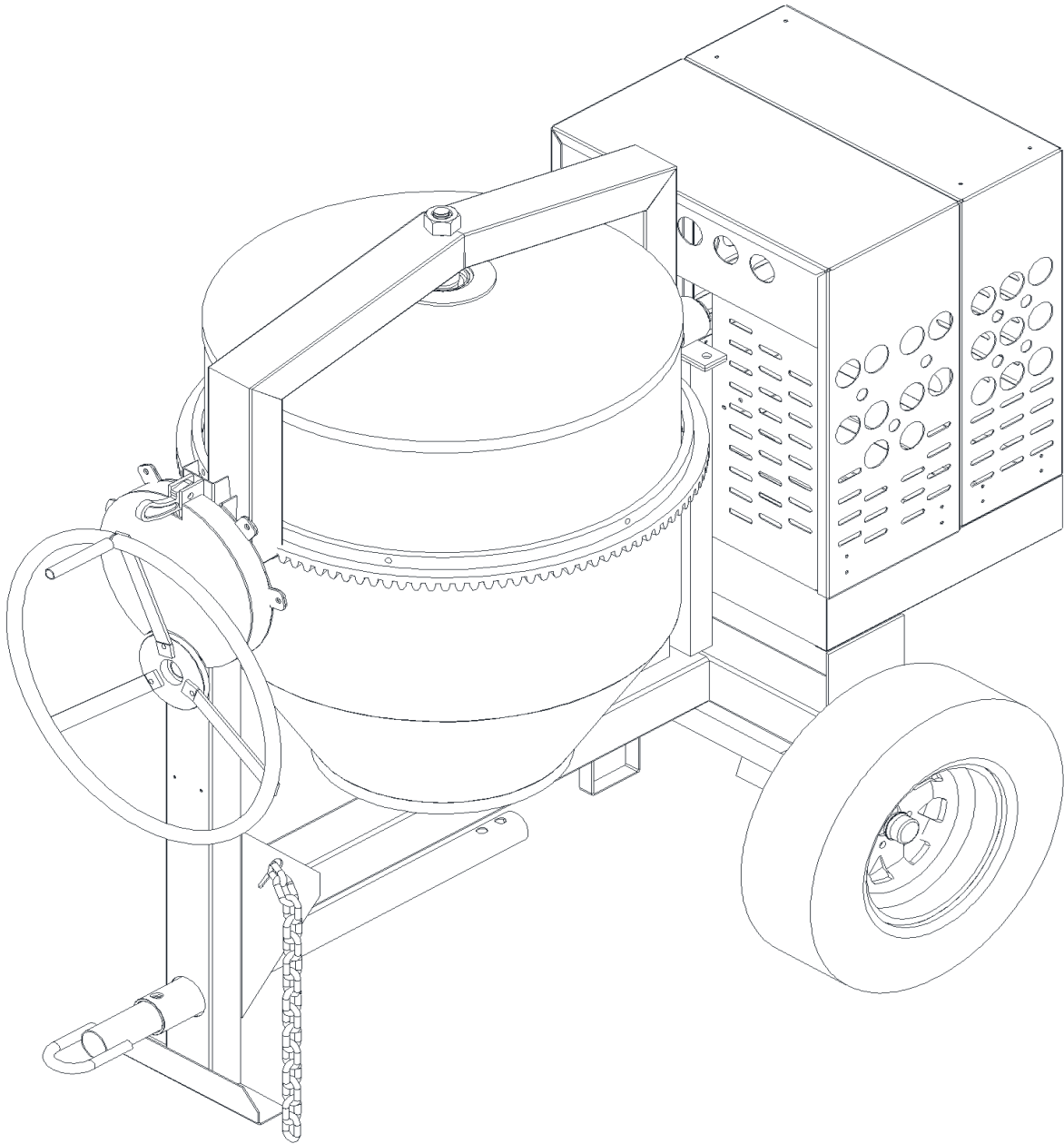
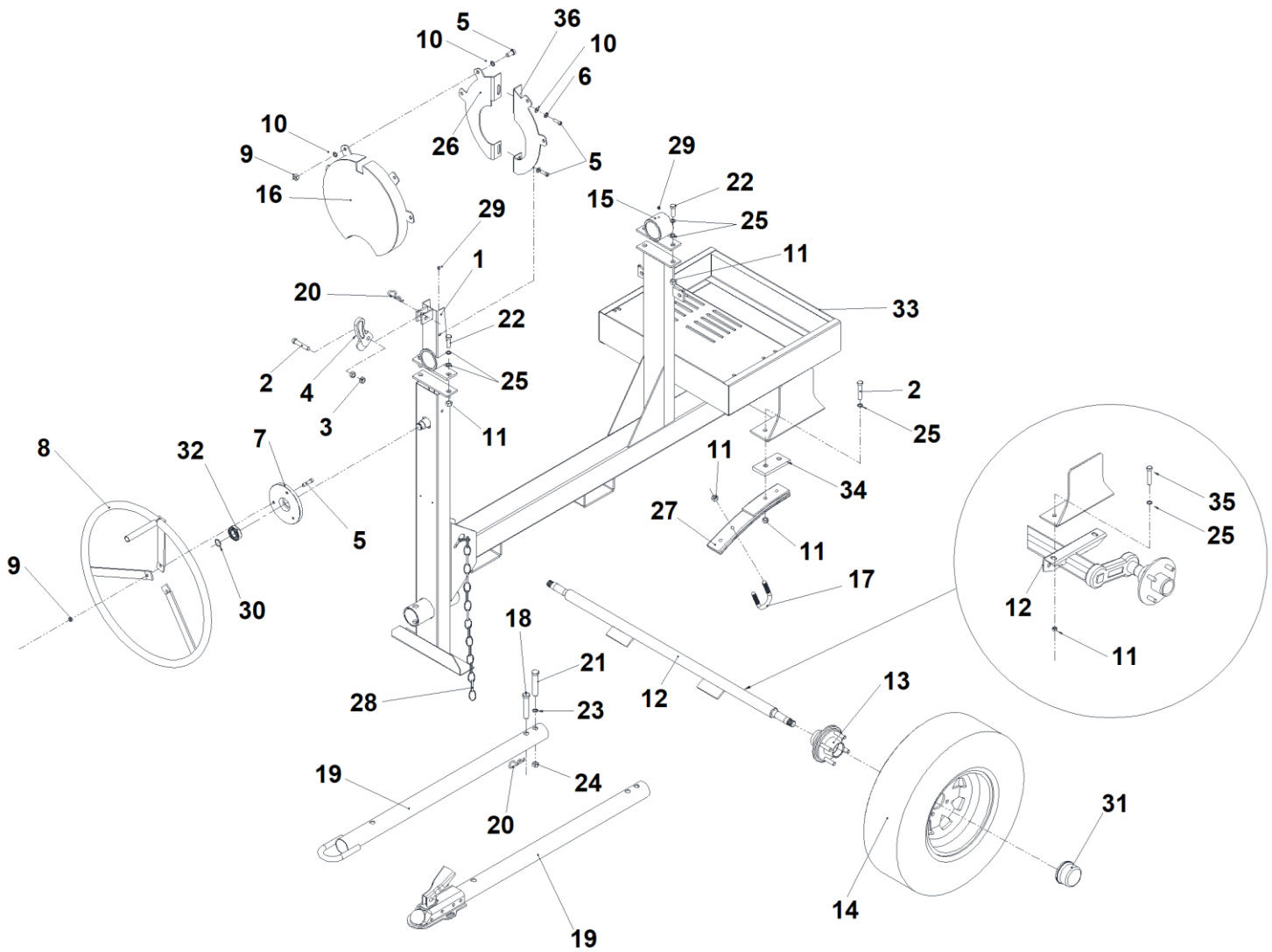


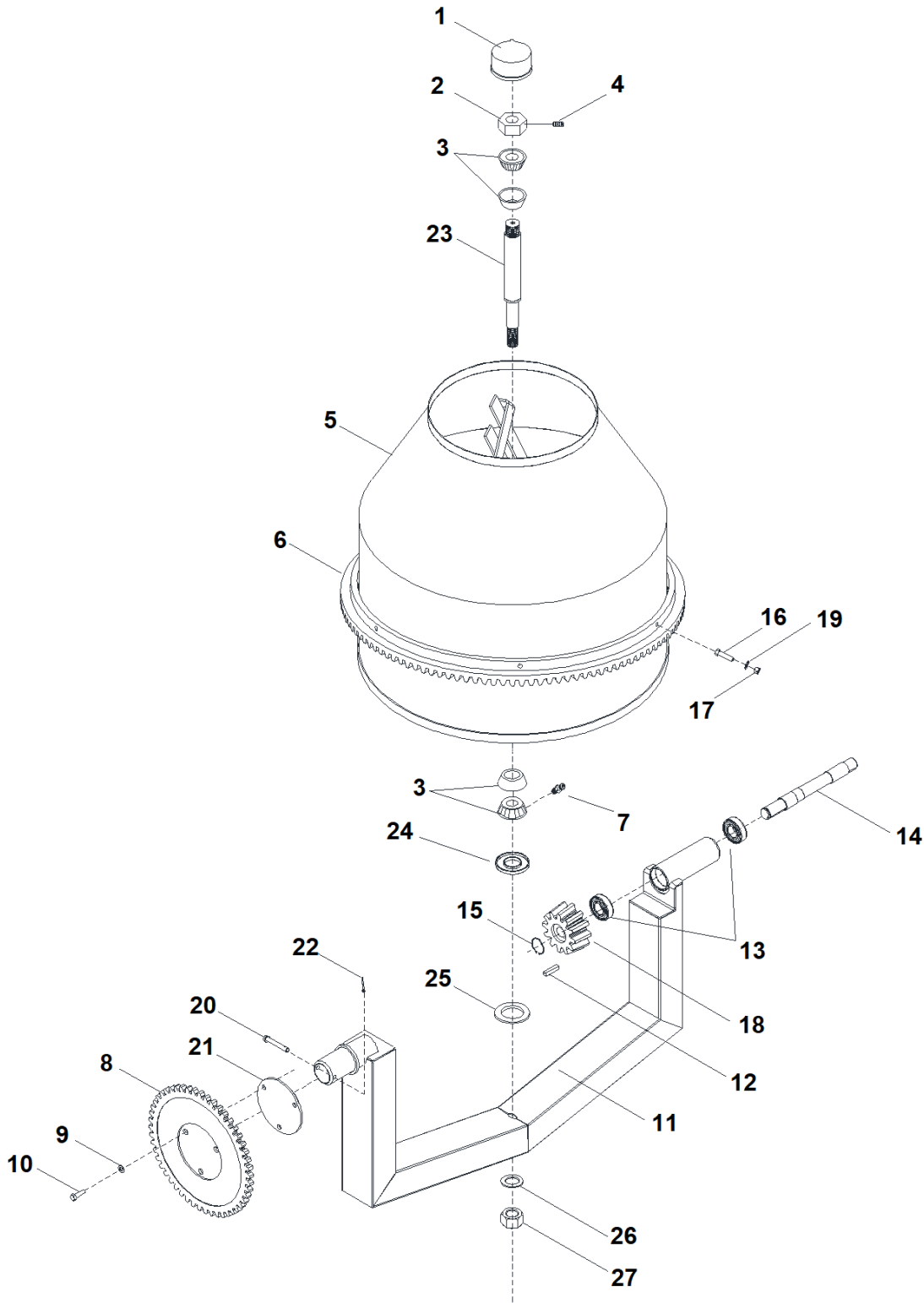
C6C – C9C – C12C (T-FRAME) PARTS BREAKDOWN





| FRAME ASSEY BREAK DOWN | | | | | | | |
|------------------------|------------|--------|---------------------------------------------------------------------------------------------|-----|-----|------|------------|
| ITEM | SKU # | PART # | DESCRIPTION | C6C | C9C | C12C | PRICE LIST |
| 1 | 0113SC01FR | 702200 | STEERING WHEEL BRAKE CM (T-FRAME) - C103T - 702200 | 1 | 1 | 1 | \$50.00 |
| 2 | TOCD012212 | 226690 | HEX BOLT HD 1/2" X 2-1/2" - T104 - C146 - 226690 | 5 | 5 | 5 | \$1.25 |
| 3 | TCCN012GAL | 702201 | HEX LOCK NUT 1/2" - T190 - C178 - 702201 | 2 | 2 | 2 | \$1.08 |
| 4 | 0100FG01FR | 702202 | STEERING WHEEL LOCK PIN BREAK CM - C104 - 702202 | 1 | 1 | 1 | \$5.00 |
| 5 | TOCD038112 | 226230 | HEX BOLT 3/8" X 1-1/2" - T176 - C141 - 226230 | 3 | 3 | 3 | \$1.25 |
| 6 | RNRX038GAL | 176230 | LOCK WASHER 3/8" T113 - C144 -176230 | 4 | 4 | 4 | \$1.08 |
| 7 | 0113FG01VO | 702203 | CONTROL HANDLE BLOCK 5-15/16" E.D. X 1-1/4" W/6205 BRG FOR ALL CM C536 - 702203 (NEW STYLE) | 1 | 1 | 1 | \$36.00 |
| 8 | 0103SC01VO | 702204 | STEERING WHEEL HANDLE W/ GRIP ALL CM - C110 | 1 | 1 | 1 | \$60.00 |
| 9 | TCCS038GAL | 227830 | HEX LOCK NUT 3/8" - 227830 - T114 - C142 | 3 | 3 | 3 | \$1.25 |
| 10 | RNPX038GAL | 174986 | PLAIN WASHER 3/8" (T112 - C139 - 174986) | 12 | 12 | 12 | \$1.08 |
| 11 | TCCS012GAL | 227854 | HEX LOCK NUT 1/2" - T106 - 227854 - C304 - C173 | 12 | 12 | 12 | \$1.25 |
| 12 | 0130SC02RD | 702058 | STANDARD CM AXLE, ASSY INCLUDES HUBS - 702058 - C134 - C195 | 1 | 0 | 0 | \$200.00 |
| 12 | 0113RF01TA | 702205 | TORSION AXLE (UPGRADE) FOR CM-T 702205 | 1 | 1 | 1 | \$500.00 |
| 13 | 0200KI03RD | 702071 | WHEEL HUB W/ 1" BRG L44643 & DUST CAP - 702071 - T129 - C135 (NEW STYLE) | 2 | 2 | 2 | \$75.00 |
| 14 | 0000CO02RD | 431063 | WHEEL & TIRE ASSY 4.8 X 12" - T137-12 - C137- 431063 | 2 | | | \$95.00 |
| 14 | 0000CO01RD | 431081 | WHEEL & TIRE ASSY 165-80 R13" - T137 - 431081 - C136 | 2 | 2 | 2 | \$115.00 |
| 15 | 0113CO01PT | 702206 | DRUM YOKE PILLOW BLOCK - C537 (FOR T-FRAME) | 1 | 1 | 1 | \$30.00 |
| 16 | 0170CO01GF | 702207 | CONTROL HANDLE SAFETY GEAR GUARD FRONT CMT - C538 | 1 | 1 | 1 | \$35.00 |

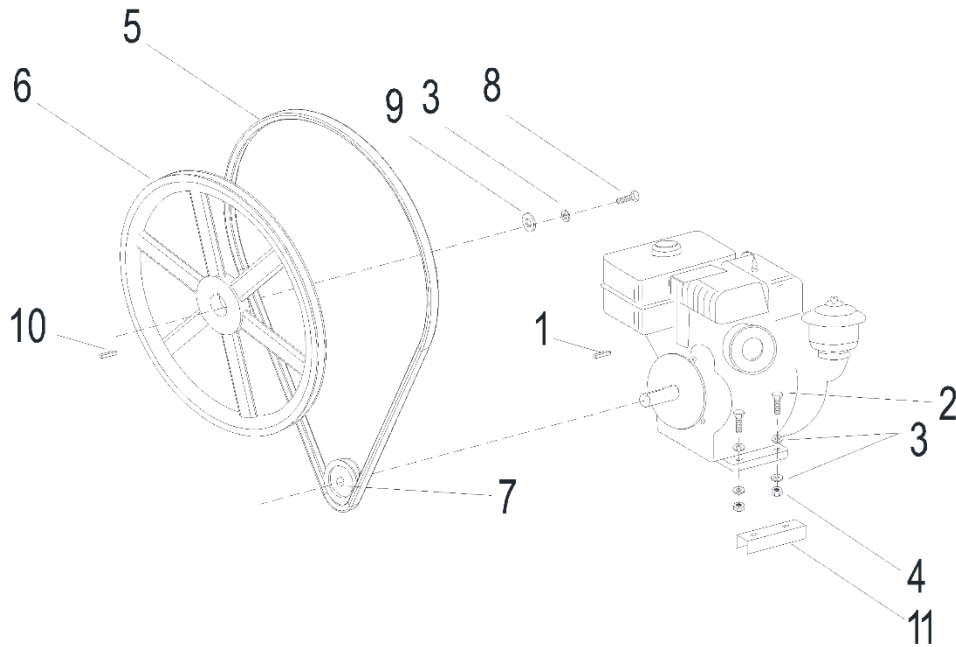
| | | | | | | | |
|----|------------|--------|-------------------------------------------------------------------------------------|----|----|----|------------|
| 17 | 0170CO02CH | 702059 | CM/HM AXLE U-CLAMP C166 - 0900CR02RD -702059 | 2 | 2 | 2 | \$15.00 |
| 18 | ASK FOR # | 702070 | TOWING HITCH, LOCK PIN 5/8" - T121-1 -701031 - C539 | 1 | 1 | 1 | \$10.00 |
| 19 | 0000CO04LZ | 702069 | 2" BALL HITCH VERTICAL HOLE - 702070 - T119 - C199 | 1 | 1 | 1 | \$80.00 |
| 19 | 0000CO03LZ | 134955 | PINTLE HITCH VERTICAL HOLE - 702069 - T118 - C193 - C198 | 1 | 1 | 1 | \$80.00 |
| 20 | 0111SR01LZ | 701035 | 3/6" COTTER PIN CP-85H - SR00036EXT - T110 - 134955 | 2 | 2 | 2 | \$1.08 |
| 21 | TOFD058312 | 226230 | TOWING HITCH, HEX HEAD SCREW 5/8" X 3-1/2" - T122-1 - 701035 - C540 | 1 | 1 | 1 | \$3.00 |
| 22 | TOCD012112 | 701032 | HEX BOLT HD GR5 1/2" X 1-1/2" - 226650 - C303 - T595 - | 4 | 4 | 4 | \$1.25 |
| 23 | RNRX058GAL | 226650 | TOWING HITCH, SPRING WASHER 5/8" - 701032 - C541 | 1 | 1 | 1 | \$3.00 |
| 24 | TCFN058GAL | 702208 | TOWING HITCH, HEX NUT, 5/8 NF - T124-1 - 701033 - C542 | 1 | 1 | 1 | \$5.00 |
| 25 | RNRX012GAL | 702209 | SPING WASHER 1/2" - C145 - 176250 - T568 - T112 | 12 | 12 | 12 | \$1.08 |
| 26 | 0113LA01YU | 701012 | CONTROL HANDLE GEAR GUARD RIGHT C543 - 702208 (T-FRAME) | 1 | 1 | 1 | \$35.00 |
| 27 | 0000RF03CH | 110680 | CM AXLE LEIFS SPRINGS SET (2) FOR CM - C165 | 2 | 2 | 2 | \$250.00 |
| 28 | CAD3516GAL | 701029 | 5/16 SAFETY CHAIN W/ OVAL SNAPS T501 - 609686 - 701012 - CA03316GAL | 1 | 1 | 1 | \$35.00 |
| 29 | 0000GRH200 | 702087 | FTG, GREASE ST 1/8 NPT - 110680 - C15 | 2 | 2 | 2 | \$2.50 |
| 30 | SM00156EXT | 701016 | RETAINING OMEGA RING - 1-15/16" - 701029 - C151 | 1 | 1 | 1 | \$6.47 |
| 31 | 0000RF10RD | 702210 | DUST CAP FOR WHEEL HUBS 1.98" (NEW STYLE) - 702087 - T136-1 - 464804 - P/N 25353844 | 2 | 2 | 2 | \$8.00 |
| 32 | 0000BA6205 | 226650 | BALL BEARING, 6205 - C154 - 701016 (JEL205-100W3) | 1 | 1 | 1 | \$25.00 |
| 33 | 0113CO01CH | 702211 | T-FRAME ALL CM MODELS 2019 - C545 - 702210 | 1 | 1 | 1 | \$1,500.00 |
| 34 | 0113SO01RD | 702212 | SPRING LEIFS SPACER SET (2) CM C556 - 702212 | 2 | 2 | 2 | \$30.00 |
| 35 | TOCD012134 | 226660 | HEX BOLT 1/2 X 1-3/4" - 226660 - T189 | 4 | 4 | 4 | \$1.25 |
| 36 | 0113LA02YU | 702210 | CONTROL HANDLE GEAR GUARD RIGHT C544 - 702211 (T-FRAME) | 1 | 1 | 1 | \$35.00 |



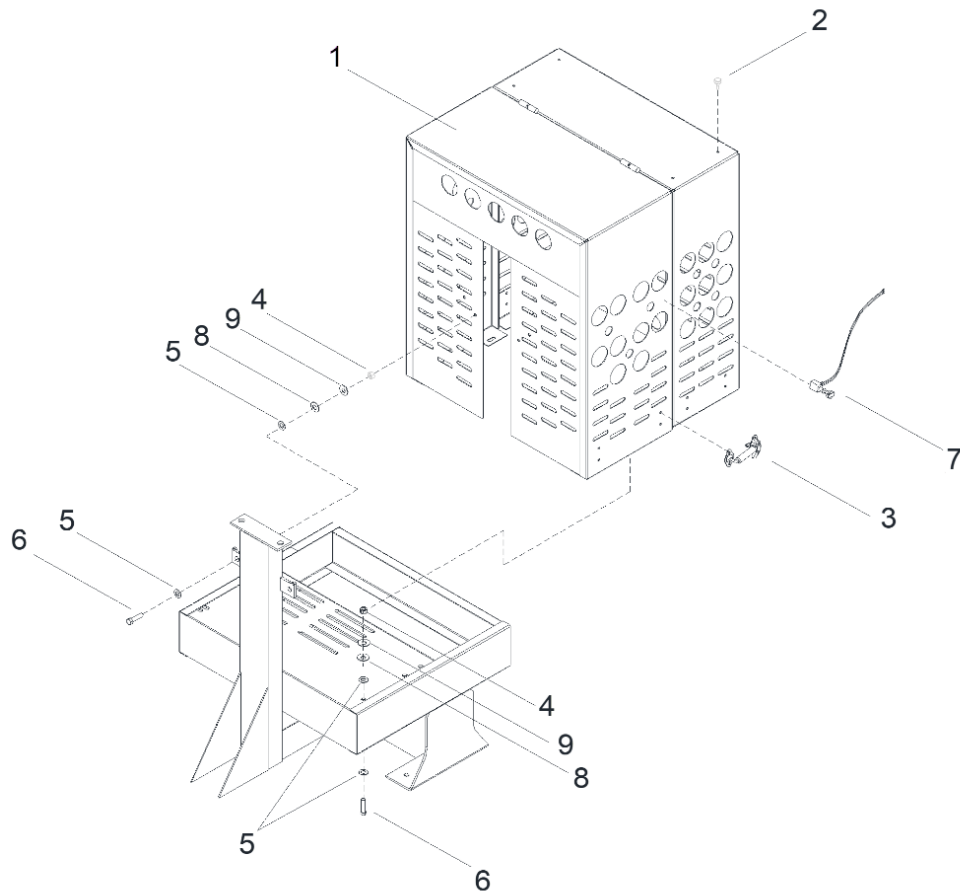
DRUM ASSEY BREAK DOWN

| ITEM | SKU # | PART # | DESCRIPTION | C6C | C9C | C12C | PRICE LIST |
|------|--------------|--------|------------------------------------------------------------------------------------------------|-----|-----|------|------------|
| 1 | 0100FG01TQ | 702033 | CM INSIDE DRUM CM CAP - C118 - 702033 | 1 | 1 | 1 | \$25.00 |
| 2 | TCCN138MAQ | 701036 | HEX NUT, 1-3/8" - C117 - 701048 | 2 | 2 | 2 | \$5.00 |
| 3 | 0000BA2788 | 701014 | BALL BEARING, TRB CO&SL 4T-LM67048L (W/ CUP BA2788/20) - C150 - 701014 (NEW STYLE) 2010 | 2 | 2 | 1 | \$65.00 |
| 3 | 0000BA104949 | 701015 | BALL BEARING, LM104949 FOR CM - C171 - 701015 (BEFORE 2012 CM12V & NEW CM12T) | | | 1 | \$50.00 |
| 4 | OPCR038012 | 702072 | ALLEN SCREW 3/8 X 1/2 - 702072 - C116 | 2 | 2 | 2 | \$1.70 |

| | | | | | | | |
|-----|-------------------|--------|----------------------------------------------------------------------|-----|-----|-----|------------|
| 6 | 0171CO01TQ | 702037 | CM7/C6 BARE DRUM (WITH WELDED PADDLES) - C119 - 702037 - FITS V&T | 1 | | | \$750.00 |
| 6 | 0113TQ01EF | 702215 | CM7 DRUM ASSEY (YOKE, SHAFTS, BEARING & RING GEAR) - C119-1 T-FRAME | 1 | | | \$1,100.00 |
| 6 | 0172CO01TQ | 431479 | CM9/C9 BARE DRUM (WITH WELDED PADDLES) - C120 - 431479 - FITS V&T | | 1 | | \$800.00 |
| 6 | 0113TQ02EF | 702216 | CM9 DRUM ASSEY (YOKE, SHAFTS, BEARING & RING GEAR) - C120-1 T-FRAME | | 1 | | \$1,200.00 |
| 5 | 0173CO01TQ | 702039 | CM12/C12 BARE DRUM (WITH WELDED PADDLES) - C121 - 702039 - FITS V&T | | | 1 | \$900.00 |
| 5 | 0113TQ03EF | 702217 | CM12 DRUM ASSEY (YOKE, SHAFTS, BEARING & RING GEAR) - C121-1 T-FRAME | | | 1 | \$1,350.00 |
| 6 | 0100FG02TQ | 702040 | RING GEAR (115 TH 32-7/8" DIA) ALL CM - C122 -702040 | 1 | 1 | 1 | \$400.00 |
| 7 | 0000GRH200 | 110680 | FTG, GREASE ST 1/8 NPT - 110680 – C155 | 1 | 1 | 1 | \$2.50 |
| 8 | 0100FN01YU | 702219 | STEERING WHEEL GEAR 14" (DUCTILE CASTING) FOR CM - C554 - 702219 | 3 | 3 | 3 | \$50.00 |
| 9 | RNRX012GAL | 176250 | SPING WASHER 1/2" - C145 - 176250 - T568 - T112 | 3 | 3 | 3 | \$1.08 |
| 10 | TOCD012100 | 226630 | HEX BOLT HD, 1/2 X 1 - 226630 - C555 | 3 | 3 | 3 | \$1.08 |
| 11 | 0113CO02YU | 701038 | DRUM YOKE CM7 & CM9 - C549 - 701038 (T- FRAME) | 1 | 1 | | \$500.00 |
| 11 | 0113CO03YU | 701039 | DRUM YOKE CM12 - C550 - 701039 (T-FRAME) | | | 1 | \$500.00 |
| 12 | 0170CC01MO | 701027 | KEY 1/4 X 1-1/4 - 701027 - C152 - T483 - 0000CU01TR | 1 | 1 | 1 | \$1.25 |
| 13 | 0000BA6205 | 701016 | BALL BEARING, 6205 - C154 - 701016 (JEL205-100W3) | 2 | 2 | 2 | \$25.00 |
| 14 | 0100CR02YU | 411894 | TRANS. SHAFT CM SHAFT 1 1/16 X 9 3/4" - C124 - 411894 | 1 | 1 | 1 | \$118.72 |
| 15 | SM00156EXT | 701029 | RETAINING OMEGA RING - 1-15/16" - 701029 - C151 | 1 | 1 | 1 | \$6.47 |
| 16 | TOCD038112 | 226230 | HEX BOLT 3/8" X 1-1/2" - T176 - C141 - 226230 | 6 | 6 | 6 | \$1.25 |
| 17 | TCCS038GAL | 227830 | HEX LOCK NUT 3/8" - 227830 - T114 - C142 | 6 | 6 | 6 | \$1.25 |
| 18 | 0100FG02YU | 702068 | PINION 12 TOOTH (FOR NEW CM) - 702068 - C123 | 1 | 1 | 1 | \$60.00 |
| 19 | RNPX038GAL | 701032 | PLAIN WASHER 3/8" - T112 - C139 - 174986 - 701032 - C140 | 6 | 6 | 6 | \$1.08 |
| 19* | 0000R03FGA | 701030 | NEOPRENE WASHER, 1/2" ID X 2 OD X 1/16" - 701030 - C168 - C180 | OPT | OPT | OPT | \$2.12 |
| 20 | TOCD012400 | 401006 | HEX HEAD CAP SCREW 1/2 X 4" - C552 - 401006 | 1 | 1 | 1 | \$1.23 |
| 21 | 0113CO01YU | 702218 | YOKE HANDLE BLOCK/FLANGE - C553 - 702218 (T-FRAME) | 1 | 1 | 1 | \$30.00 |
| 22 | SC018112NOR | 135790 | COTTER PIN 1/8 X 1-1/2" - C570 - 135790 | 1 | 1 | 1 | \$1.08 |
| 23* | 0900CR20YU | 702226 | BOWL SHAFT (T-FRAME) X 14-1/8" - C571 - 702226 (NUT 1" NF) - 2019 | 1 | 1 | | \$75.00 |
| 23 | 0113CR01YU | 702213 | BOWL SHAFT (T-FRAME) X 14-1/8" - C546 - 702213 (NUT 1-1/4" NF) | 1 | 1 | | \$75.00 |
| 23* | 0900CR21YU | 702227 | BOWL SHAFT CM12 (T-FRAME) X 14" - C572 - 702227 (NUT 1" NF) - 2019 | | | 1 | \$75.00 |
| 23 | 0113CR03YU | 702214 | BOWL SHAFT CM12 (T-FRAME) X 14" - C547 - 702214 (NUT 1-1/4" NF) | | | 1 | \$75.00 |
| 24 | 0100RF01TQ | 702126 | CM-T BOWL SHAFT OIL SEAL TC38X80X8 - C532 - 2017 | 1 | 1 | | \$12.00 |
| 24 | 0113RF01FC | 701037 | CM12-T BOWL SHAFT OIL SEAL 855T - C548 - 701037 (FOR 1X10494 BRG) | | | 1 | \$17.00 |
| 25 | 0113LA01FC | 702220 | DUST COVER 3-1/8" _18 - C557 - 702220 | 1 | 1 | | \$5.00 |
| 25 | 0113LA02FC | 702221 | DUST COVER 3-1/4" _10 - C558 - 702221 | | | 1 | \$5.00 |
| 26 | RNRX114GAL | 701040 | SPRING WASHER 1-1/4" - C559 - 701040 | 1 | 1 | 1 | \$3.00 |
| 27* | TCFN100GAL | 227920 | MAIN SHAFT HEX NUT 1" NF - 2019 | 1 | 1 | 1 | \$10.00 |
| 27 | TCFN114MAQ | 701041 | MAIN SHAFT HEX NUT 1-1/4 NF | 1 | 1 | 1 | \$10.00 |
| * | 0113BH03YU | N/A | BOWL SHAFT, CM-T 3/8" SPACER (FOR REPAIR ONLY) | N/A | N/A | N/A | \$3.00 |



| TRANSM ASSEY BREAK DOWN | | | | | | | |
|-------------------------|--------------|---------|-----------------------------------------------------------------------------------|-----|-----|------|------------|
| ITEM | SKU # | PART # | DESCRIPTION | C6C | C9C | C12C | PRICE LIST |
| * | 202002M | 202002M | HONDA ENGINE GX160 | 1 | 1 | | \$0.00 |
| * | 202008M | 202008M | HONDA ENGINE GX240 | 1 | 1 | | \$0.00 |
| * | 202012M | 202012M | HONDA ENGINE GX390 | | | 1 | \$0.00 |
| * | BALDOR | N/A | ELECTRIC MOTOR VAIROUS OPTIONS | 1 | 1 | 1 | \$0.00 |
| 1 | 0170CC01MO | 701027 | KEY 1/4 X 1-1/4 - 701027 - C152 - T483 - 0000CU01TR | 1 | | | \$1.27 |
| 1 | 0200CU03TR | N/A | ENGINE KEY 3/16" FOR 5HP - C514 - T147-1 | 1 | 1 | 1 | \$1.27 |
| 1 | 0200CU02TR | N/A | ENGINE KEY 1/4 FOR 8HP & 13HP - T147 | 1 | 1 | 1 | \$1.27 |
| 2 | TOCD056312 | 119880 | BOLT HEXHD, 5/16" X 3-1/2" FOR 5.5 HP GAS ENGINE - C563 - 119880 | 4 | | | \$1.25 |
| 2 | TOCD038200 | 226250 | HEX BOLT HD, GR5 3/8" X 2" - 226250 - T145- C158 | 4 | 4 | 4 | \$1.25 |
| 2 | TOCD038100 | 226210 | HEX BOLT 3/8 X 1 - C138 - 226210 (ELECTRIC MOTORS) | 4 | 4 | 4 | \$1.08 |
| 3 | RNPX038GAL | 701032 | PLAIN WASHER 3/8" - T112 - C139 - 174986 - 701032 - C140 | 9 | 9 | 9 | \$1.08 |
| 4 | TCCS056GAL | 227821 | HEX HEAD LOCK NUT 5/16" FOR 5.5 HP GAS ENGINE | 4 | | | \$1.15 |
| 4 | TCCS038GAL | 227830 | HEX LOCK NUT 3/8" - 227830 - T114 - C142 | 4 | 4 | 4 | \$1.15 |
| 5 | 0000BNB63 | 701043 | BELT-V B63 FOR CM GAS ENGINE UNITS (T-FRAME) - C129-T | 1 | 1 | 1 | \$35.00 |
| 5 | 0000BNB63 | 701043 | BELT-V B63 FOR CM ELECTRIC UNITS (T-FRAME) - C129-T IF USED BRACKETS T165* | 1 | 1 | 1 | \$35.00 |
| 5 | 0000BNB66 | N/A | BELT-V B66 FOR CM ELECTRIC UNITS (T-FRAME) *IF NOT USED BRACKETS T165* | 1 | 1 | 1 | \$35.00 |
| 6 | POFG190516TK | 702044 | PULLEY 19" X 1 GROOVE CM - C125 - 702044 | 1 | 1 | 1 | \$240.00 |
| 7 | POFG212034 | 702049 | PULLEY 2-1/2" X CAL 3/4" (AK2534) FOR 5.5 HP GAS ENGINE - 702049 - 411871 - C126 | 1 | | | \$40.00 |
| 7 | POFG212100 | 702050 | PULLEY 2-1/2" X CAL. 1" -702050 - 459960 - C127 (8 HP -13 HP ENGINE) | 1 | 1 | 1 | \$40.00 |
| 7 | POFG212058 | 702051 | PULLEY 2-1/2" X 5/8" (AK2558) - 702051 C185 (.5 HP - 1.5 HP MOTOR) | 1 | | | \$40.00 |
| 7 | POFG212078 | 702052 | PULLEY 2-1/2" X CAL 7/8" 1 GROOVE (AK2578) - 702052 (2 HP MOTOR) | 1 | 1 | 1 | \$40.00 |
| 7 | POFG212118 | 702053 | PULLEY 2-1/2" X CAL 1 1/8" - 702053 (3 HP - 5HP MOTOR) | | 1 | 1 | \$40.00 |
| 8 | TOFD038100 | 701044 | HEX BOLT HD, GR5 3/8 X 1 NF - T116 | 1 | 1 | 1 | \$1.25 |
| 9 | RNPX038GAL | 701032 | PLAIN WASHER 3/8" - T112 - C139 - 174986 - 701032 - C140 | 9 | 9 | 9 | \$1.08 |
| 10 | 0170LA01TR | 701032 | SPRING WASHER 3/8" - C140 - C701032 | 1 | 1 | 1 | \$1.08 |
| 11 | 0201PL01MO | 702223 | RAISING HEIGHT BRACKET FOR 5.5HP ENGINE & ELECTRIC MOTOR - T165 | OP | | | \$25.00 |
| 12 | 0170CC01MO | 701027 | KEY 1/4 X 1-1/4 - 701027 - C152 - T483 - 0000CU01TR | 1 | 1 | 1 | \$1.25 |



| HOOD ASSEY BREAK DOWN | | | | | | | |
|-----------------------|------------|--------|-----------------------------------------------------------------------------|-----|-----|------|------------|
| ITEM | SKU # | PART # | DESCRIPTION | C6C | C9C | C12C | PRICE LIST |
| 1 | 0110CO01GA | 702047 | HOOD, HINGED ASSY SINCE THE SERIES CM7-CM12 - C131 - BLACK | 1 | 1 | 1 | \$250.00 |
| 2 | 0000RF01GA | 201544 | RUBBER SCREW 1/4" FOR SHROUD - T158 - C159 - 201544 | 2 | 2 | 2 | \$3.15 |
| 3 | 0000RF02GA | 201543 | SHROUD HOOK ASSEMBLY - T160 - C161 - 701004 - 201543 | 2 | 2 | 2 | \$9.00 |
| 4 | TCCS038GAL | 227830 | HEX LOCK NUT 3/8" - 227830 - T114 - C142 | 4 | 4 | 4 | \$1.25 |
| 5 | RNPX038GAL | 701032 | PLAIN WASHER 3/8" - T112 - C139 - 174986 - 701032 - C140 | 8 | 8 | 8 | \$1.06 |
| 6 | TOCD038112 | 226230 | HEX BOLT 3/8" X 1-1/2" - T176 - C141 - 226230 | 4 | 4 | 4 | \$1.25 |
| 7 | 1000KI04GA | 701007 | ENGINE KILL SWITCH ASSEY RED (WITH HARNESS) 701007 - T193 | 1 | 1 | 1 | \$29.00 |
| 7 | 0200KI01GA | 290100 | ENGINE N.O KILL SWITCH RED (NO HARNESS) - 816769AS - 112500 - T195-1 | 1 | 1 | 1 | \$18.00 |
| 8 | RNPX012GAL | 174470 | PLAIN WASHER 1/2" | 4 | 4 | 4 | \$2.12 |
| 9 | RNPH012ESP | 701030 | NEOPRENE WASHER 2" X 1/2" X 1/16" - 0000R03FGA - 701030 - C168 - C180 | 4 | 4 | 4 | \$2.00 |