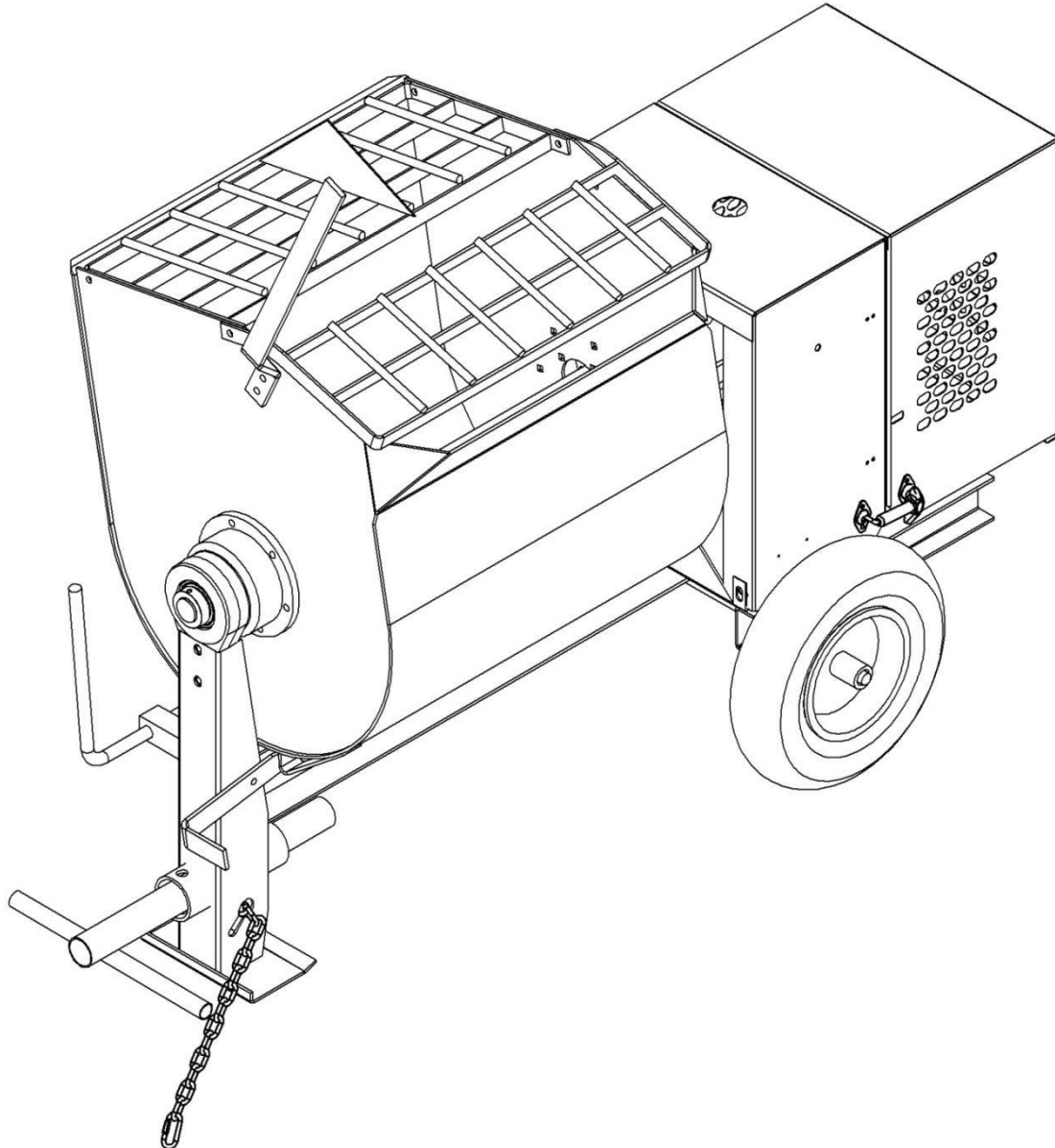


REPAIR PARTS MANUAL

SERIES	MM-Mech
BULLETIN No.	200078R6
SUPERSEDES	200078R5
DATE	Oct 2007
Last Rev: MAY 2020	

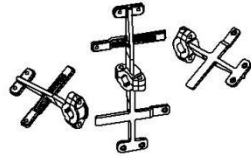
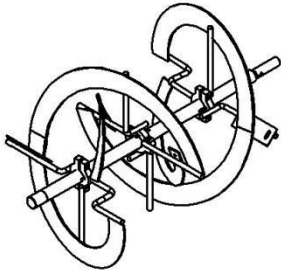
MORTAR MIXERS 4S – S4S



*When ordering parts please always specify the model and serial number of the mixers as a reference.

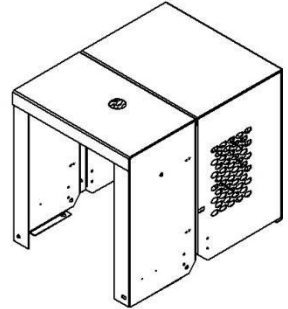
MORTAR MIXERS 4S

SPIRAL
Page 6

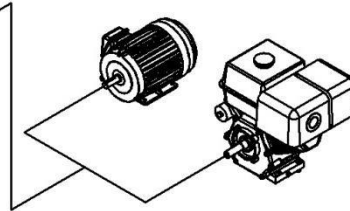
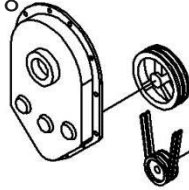


PADDLE
Page 7

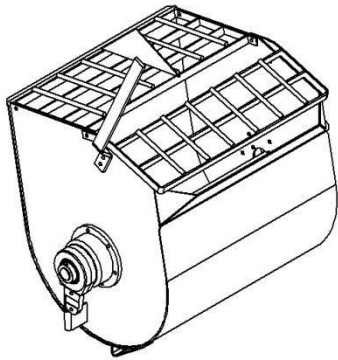
HOOD
Page 9



GEARBOX
Page 8

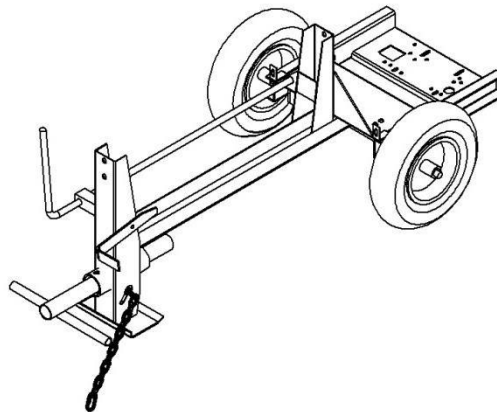


DRIVE
Page 10



DRUM
Page 3

FRAME
Page 4



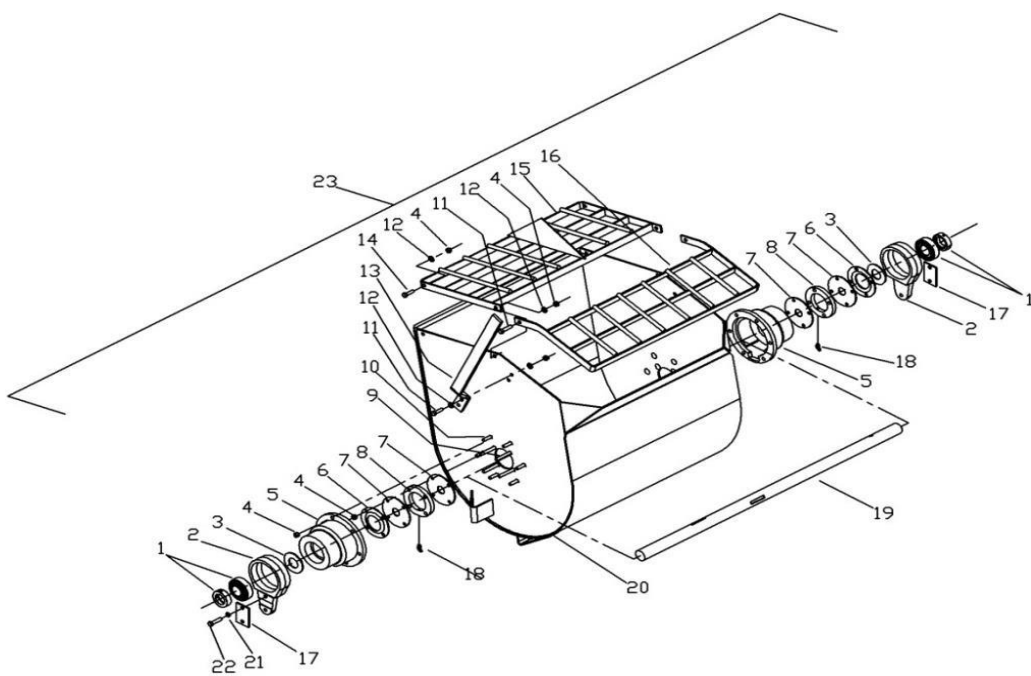
P.O. Box 73 Station L
Winnipeg MB, Canada
R3H 0Z4

10 Keenleyside
St, Unit D.
Winnipeg MB,
Canada
R2L 2B9

Phone (877) 403 1220
Phone (204) 831 8468
Fax (204) 831 8590
www.crownequip.com

*When ordering parts please always specify the model and serial number of the mixers as a reference.

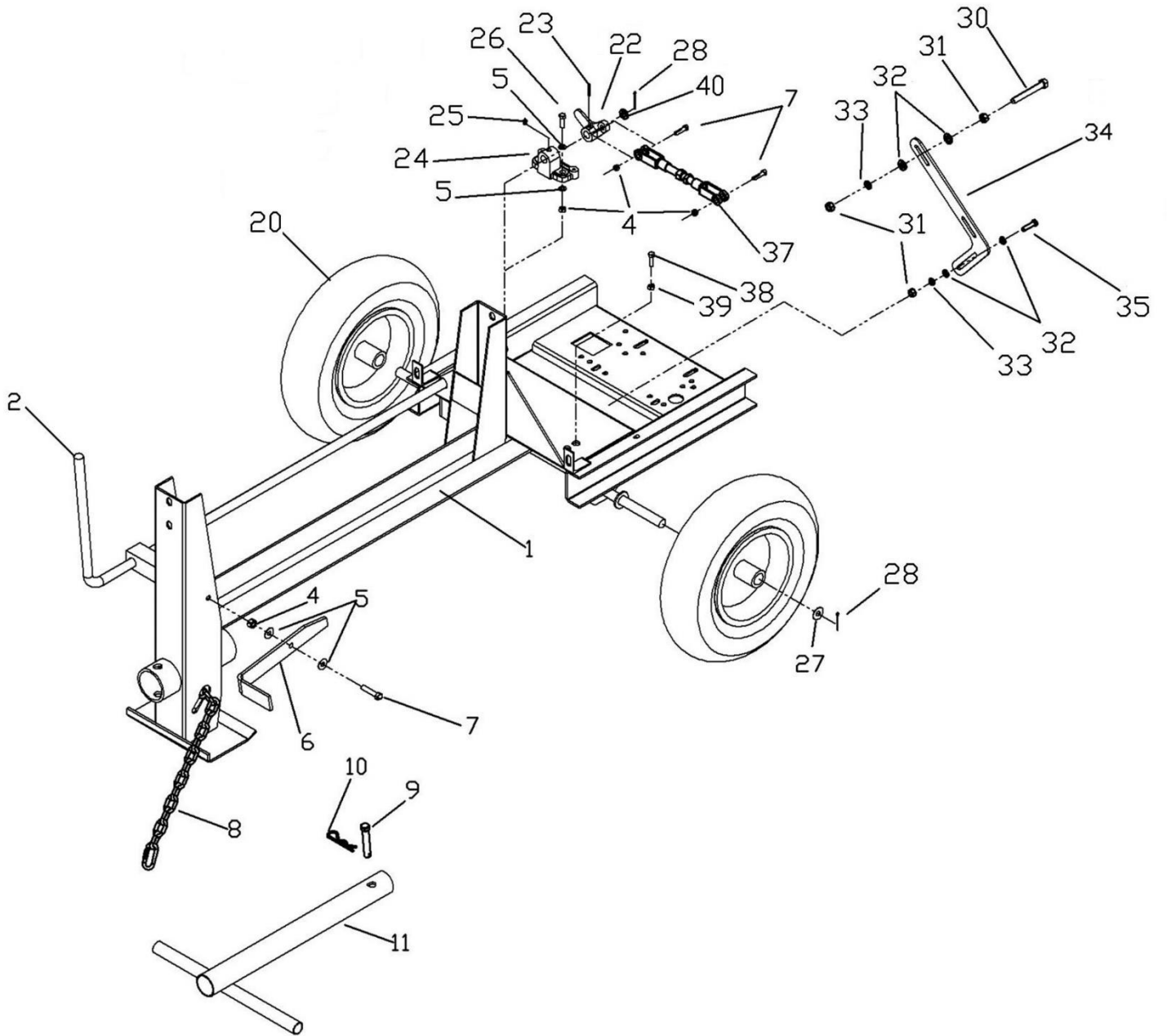
DRUM



DRUM ASSEMBLY					
#	SKU #	ID #	DESCRIPTION	4S	PRICELIST
1	0000BA20824	110450	BALL BEARING, 1746208-108 - 110450 - T175 (W/O GRS FITTING)	2	\$30.00
2	0200CH01TQ	496070	DRUM PIVOT 4S-S10S / MMP - T485 - 496070	2	\$55.00
3	0200HN01TQ	190854	SEAL FINGER (R2) 3.00 X 1.47 X .13 - T486 - 190854	2	\$5.00
4	TCCS038GAL	227830	HEX LOCK NUT 3/8" - 227830 - T114 - C142	26	\$1.25
5	0218FG02TQ	496080	DRUM TRUNNION, 4S-10S / MM8P (R3) - T487 - 496080	2	\$110.00
6	0218PL03TQ	496042	DRUM SEAL RING, 4S-10S (R4) MM8P - T488 - 496042	2	\$9.16
7	0200HN02TQ	192923	DRUM SEAL - 192923 - T551	4	\$12.00
8	0218FG01TQ	496177	DRUM SEAL PLATE 4S-10S / MM8P - T489 - 496177	2	\$29.76
9	TOCL038200	701011	BOLT, CARRIAGE 3/8 X 2 - 701011 - T562	8	\$1.08
10	TOCL038112	117771	CARRIAGE BOLT 3/8" X 1-1/2" GR2 ZP - 117771 - 117771 - T174	12	\$1.25
11	TOCD038112	226230	HEX BOLT 3/8" X 1-1/2" - T176 - C141 - 226230	4	\$1.25
12	RNPX038GAL	174986	PLAIN WASHER 3/8" - T112 - C139 - 174986 - 701032	6	\$1.08
13	0200CO01TQ	496224	DRUM DUMPING HANDLE LEVER W/ GRIP 4S-12S/MM8P (R1) - T168 - 496224	1	\$19.00
14	TOCD038114	226220	HEX BOLT HD, 3/8 X 1-1/4 HX GR5 - 226220 - 134990	2	\$1.25
15	N/A	496214	WA, FIXED GRILL 4S-6SR (R4)	1	\$165.00
16	N/A	496218	WA, GRILL, HINGED 4S-6SR (R4)	1	\$150.00
17	0218PL01TQ	496000	SHIM, 4S-10S 1/4" THK (R2) - 496000 - T555	2	\$10.00
18	0000GRH045	110689	DRUM BEARING, GREASE FITTING 45 DEG - T102 - 110689	2	\$2.50
19	N/A	496657	OLD MAIN SHAFT 4S/6S (INCLUDES KEYS) FOR OLD SPIRAL ONLY	1	\$234.68
19	N/A	496656	MAIN SHAFT 4S/6S 42-1/2" AFTER 2012 FROM S# 3A9S09M14B1168083 (W/ KEYS)	1	\$171.72
20	N/A	464990	BARE DRUM 4SR-S4SR	*	\$856.31
21	RNRX012GAL	176250	SPRING WASHER 1/2" - T112 - C145 - 176250 - T568	4	\$1.08
22	TOCD012112	226650	Bolt, Hex HD, 1/2" x 1-1/2" (TOCD012112)	4	\$1.25
23	N/A	702097	DRUM KIT, 4SR REPLACEMENT (INCLUDES PADDLES)	*	\$1,831.68
23	N/A	609996	DRUM KIT, S4SR REPLACEMENT (INCLUDES SPIRAL)	*	\$1,679.04

*When ordering parts please always specify the model and serial number of the mixers as a reference.

FRAME

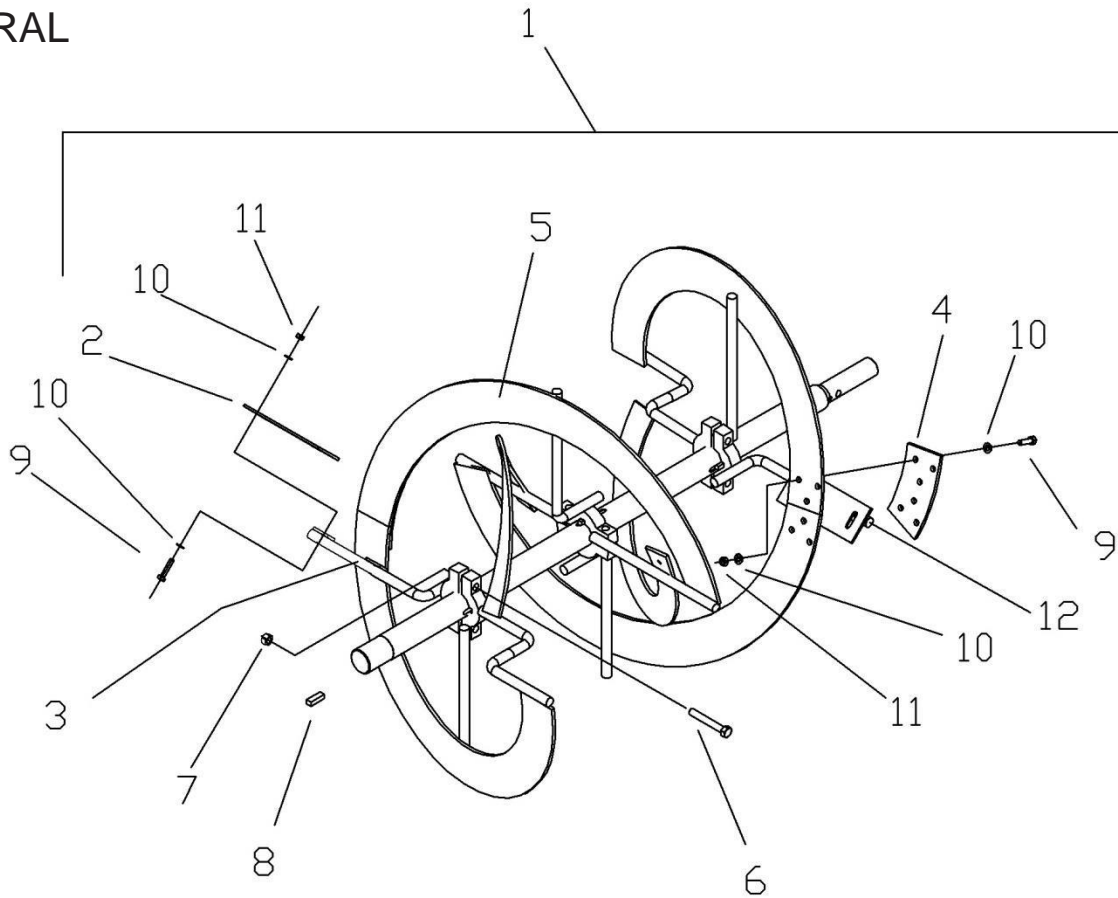


*When ordering parts please always specify the model and serial number of the mixers as a reference.

FRAME ASSEMBLY					
#	SKU #	PART #	DESCRIPTION	4S	PRICELIST
1	N/A	465130	WA, FRAME 4SR-S4SR (R6)	1	\$824.26
2	N/A	496190	LEVER 4S-6S (R3)	1	\$28.62
4	TCCS038GAL	227830	HEX LOCK NUT 3/8" - 227830 - T114 - C142	3	\$1.25
5	RNPX038GAL	174986	PLAIN WASHER 3/8" - T112 - C139 - 174986 - 701032	6	\$1.08
6	N/A	496244	PLATE, LATCH 4S-S10S (R1)	1	\$13.74
7	TOCD038112	226230	HEX BOLT 3/8" X 1-1/2" - T176 - C141 - 226230	1	\$1.25
8	CAD3516GAL	701012	5/16 SAFETY CHAIN W/ OVAL SNAPS T501 - 609686 - 701012 - CA03316GAL	1	\$35.00
9*	0000CR01LZ	702078	TOWING HITCH, LOCK PIN 3/4" - T121 - C169 - 496088 - 702078	1	\$10.00
9	TOFD058312-A	701031	TOWING HITCH, LOCK PIN 5/8" - T121-1 - 701031	1	\$10.00
10	0111SR01LZ	134955	3/6" COTTER PIN CP-85H - SR00036EXT - T110 - 134955	1	\$1.08
11	N/A	464966	DRAW BAR 4S/S4S	1	\$60.00
20	N/A	201675	WHEEL & TIRE ASSEY 4SR - 4.80 X 8" W/ 3/4" BORE - 201672 - 201640	2	\$50.00
22	N/A	496180	LEVER ARMS 4S	1	\$22.90
23	00PE056112	135282	PIN SPR SL STD 5/16 X 1 - 1/2" - 135282 - T683	1	\$1.70
24	N/A	496170	BRACKET, LEVER 4SR	1	\$42.00
25	0000GRH200	110680	FTG, GREASE ST 1/8 NPT - 110680 - C155	1	\$2.50
26	TOCD038200	226250	HEX BOLT HD, GR5 3/8" X 2" - 226250 - T145 - C158	2	\$1.25
27	RNPX034GAL	174996	PLAIN WASHER 3/4" X 1-1/2 - 174996 - T108 - 248277	3	\$3.02
28	SC18112NOR	135810	PIN COTTER, 1/8 X 1-1/2 - 135810 - 135790 - T135	1	\$1.08
30	TOCD056300	701009	HEX BOLT HD 5/16" X 3" - 701009 - T201	2	\$1.08
31	TCCN056GAL	227820	HEX NUT 5/16" - 227820	6	\$1.08
32	RNPX056GAL	174990	PLAIN WASHER, 5/16 ID X 3/4 OD FL ZP - 174990	8	\$1.08
33	RNRX056GAL	176220	SPRING WASHER, 5/16" - 176220	4	\$1.08
34	N/A	464981	BELT GUIDE 4S	1	\$13.28
35	TOCD056100	225980	HEX BOLT, 5/16-18 X 1 HX GR2 CP NC - 225980	2	\$1.25
37	N/A	119225	TURNBUCKLE INCLUDES YOKES (OLD STYLE)	1	\$35.00
37	N/A	119225-A	TURNBUCKLE INCLUDE YOKES (NEW STYLE)	1	\$35.00
38	TOCD012300	226711	HEX BOLT HD 1/2" X 3" - 226711 - T481	1	\$3.00
39	TCCS012GAL	227854	HEX LOCK NUT 1/2" - T106 - 227854 - C304	1	\$1.25
40	RNPX058GAL	702028	WASHER, PLAIN 5/8 - 702028	1	1.08

*When ordering parts please always specify the model and serial number of the mixers as a reference.

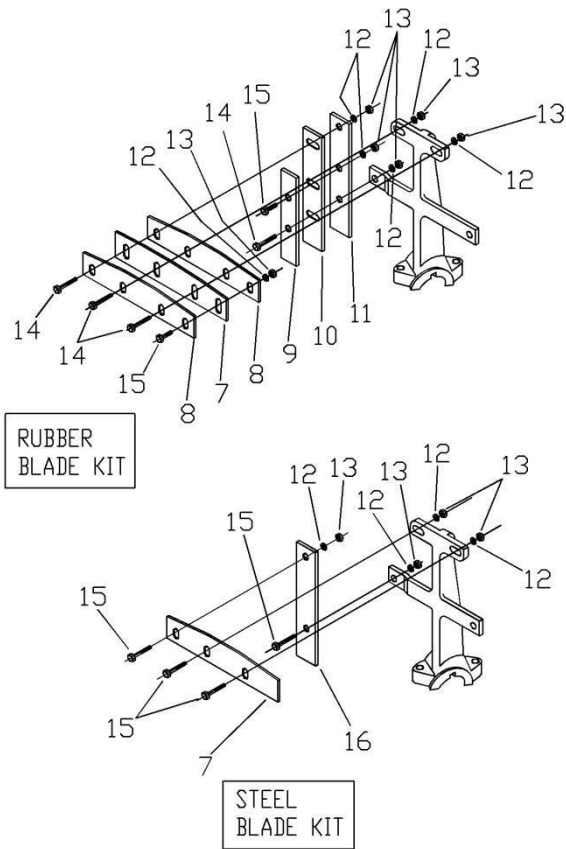
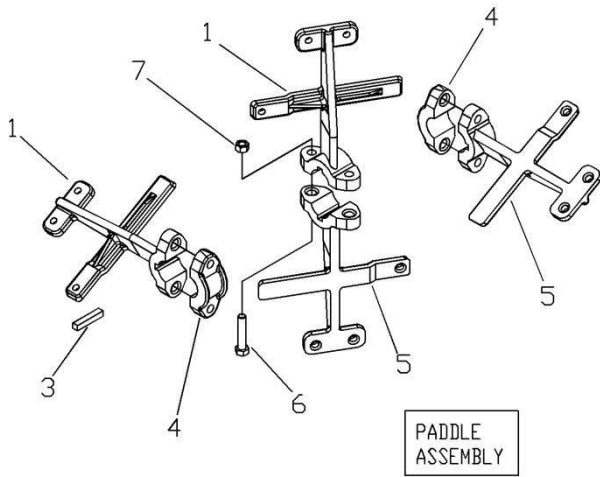
SPIRAL



SPIRAL ASSEMBLY					
#	SKU #	PART #	DESCRIPTION	4S	PRICELIST
1	N/A	702015	KIT ASSEY SPIRAL 4S/6S W/ MAIN SHAFT (FOR MACHINES BEFORE FEB 12,2013)	1	\$528.00
2	N/A	465680	SCRAPER, SPIRAL 4S/S6SR (R2)	2	\$9.61
3	1001RE02ED	702019	ARM BRACKET RIGHT S4S - S6SR - 702019	1	\$36.69
4	N/A	702022	SPIRAL LINK 4S - 6SR	2	\$20.46
5	1001ES01ED	465001	SPIRAL ASSEY 4S/6S (W/O SHAFT) (AFTER FEBRUARY 12, 2013) - 465001	1	\$432.00
6	TOCD012300	226711	HEX BOLT HD 1/2" X 3" - 226711 - T481	6	\$3.00
7	TCCS012GAL	227854	HEX LOCK NUT 1/2" - T106 - 227854 - C304	6	\$1.25
8	1000CC01ED	701013	KEY 3/8" X 1-3/4" - T572 - 701013	4	\$1.25
9	TOCD038114	226220	HEX BOLT HD, 3/8 X 1-1/4 HX GR5 - 226220 - 134990	14	\$1.25
10	RNPX038GAL	174986	PLAIN WASHER 3/8" - T112 - C139 - 174986 - 701032	28	\$1.08
11	TCCS038GAL	227830	HEX LOCK NUT 3/8" - 227830 - T114 - C142	14	\$1.25
12	1001RE01ED	702018	ARM BRACKET LEFT S4S-S6S - 702018	1	\$36.69

*When ordering parts please always specify the model and serial number of the mixers as a reference.

PADDLE ASSEMBLY



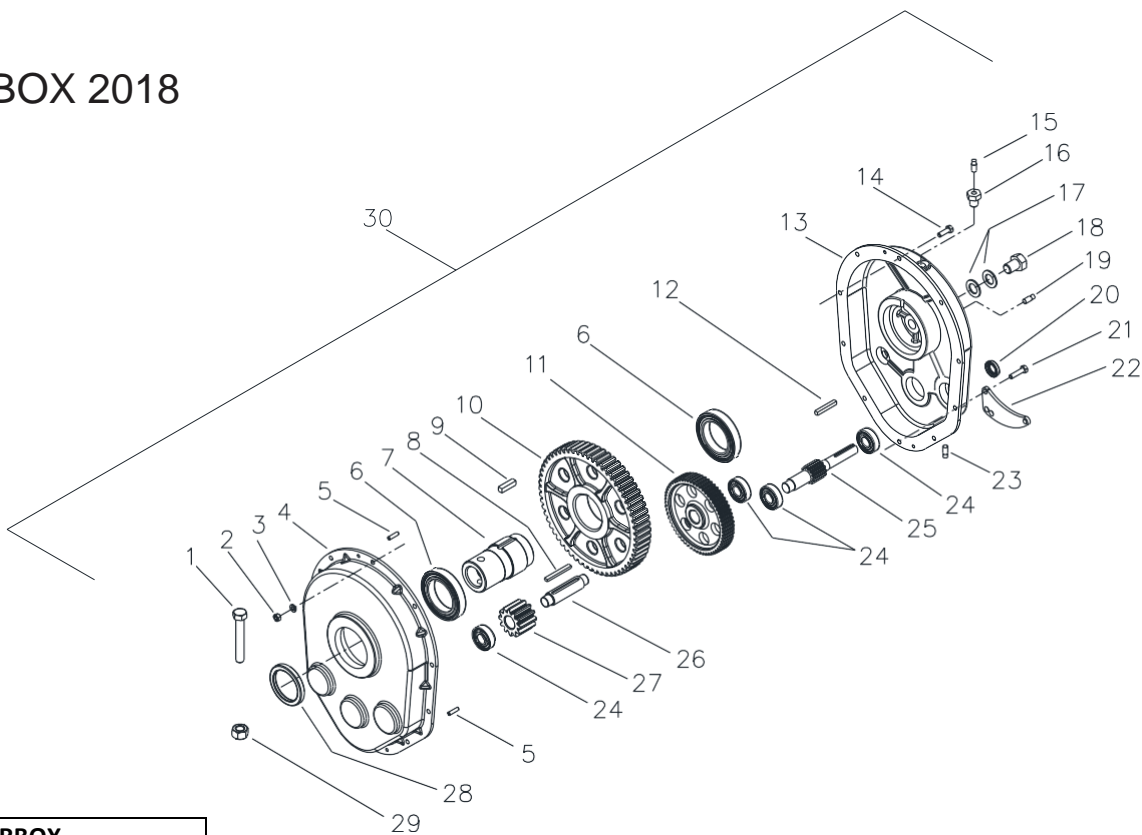
PADDLE ASSEMBLY					
#	SKU #	PART #	DESCRIPTION	4S	PRICELIST
*	N/A	610550	PADDLE KIT, 4-6S/MM6P	1	\$330.00
1	0218FG01AS	096019	END PADDLE & CENTRAL PADDLE LEFT 4S/6(P)/MM6P - T571 - 096019	2	\$65.00
3	1000CC01ED	701013	KEY 3/8" X 1-3/4" - T572 - 701013	4	\$1.25
4	0218FG02AS	096010	CAP PADDLE 4S-10S (R3) T573 - 096010	2	\$19.08
5	0218FG03AS	096018	END PADDLE & CENTRAL PADDLE RIGHT 6S - T574 - 096018	2	\$63.33
6	TOCD012300	226711	HEX BOLT HD 1/2" X 3" - 226711 - T481	6	\$3.00
7	TCCS012GAL	227854	HEX LOCK NUT 1/2" - T106 - 227854 - C304	6	\$1.25

STEEL BLADE KIT					
#	SKU #	PART #	DESCRIPTION	4S	PRICELIST
*	N/A	609803	STEEL BLADE KIT 4S & 6S	1	\$80.00
7	0218PL01AS	436280	BLADE, 4S-6S/MM6P TOP (R3) - T575 - 436280	4	\$15.57
16	0218PL02AS	436300	BLADE 4S-6SR/MM6P SIDE (R1) - T576 - 436300	2	\$9.16
12	RNPX038GAL	174986	PLAIN WASHER 3/8" - T112 - C139 - 174986 - 701032	12	\$1.08
13	TCCS038GAL	227830	HEX LOCK NUT 3/8" - 227830 - T114 - C142	10	\$1.25
15	TOCD038112	226230	HEX BOLT 3/8" X 1-1/2" - T176 - C141 - 226230	10	\$1.25

RUBBER BLADE KIT					
#	SKU #	PART #	DESCRIPTION	4S	PRICELIST
*	N/A	609802	RUBBER BLADE KIT 4S & 6S/P	1	\$100.00
7	0200HN01AS	190970	WIPER 4S/10S, MM4-35 (R5) - T577 - 190970	4	\$8.48
8	0218LA01AS	436290	BLADE, 4S-10S, TOP (R2) - T579 - 436290 - 496290	8	\$11.90
9	0218LA02AS	436320	BLADE, 4S-6SR/MM6P, SIDE (R2) - T580 - 436320	2	\$9.16
10	N/A	192680	WIPER 4S-6SR, MM6-36 (R4)	2	\$6.36
11	N/A	436310	BLADE, 4S-6SR, SIDE (R1)	2	\$9.16
12	RNPX038GAL	174986	PLAIN WASHER 3/8" - T112 - C139 - 174986 - 701032	44	\$1.08
13	TCCS038GAL	227830	HEX LOCK NUT 3/8" - 227830 - T114 - C142	22	\$1.25
14	TOCD038200	226250	HEX BOLT HD, GR5 3/8" X 2" - 226250 - T145 - C158	12	\$1.25
15	TOCD038112	226230	HEX BOLT 3/8" X 1-1/2" - T176 - C141 - 226230	10	\$1.25

*When ordering parts please always specify the model and serial number of the mixers as a reference.

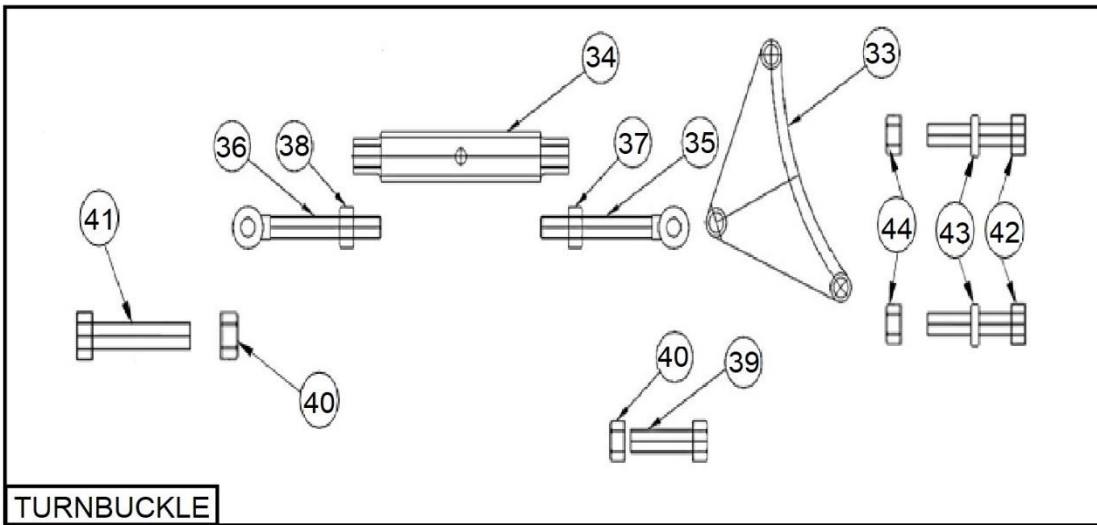
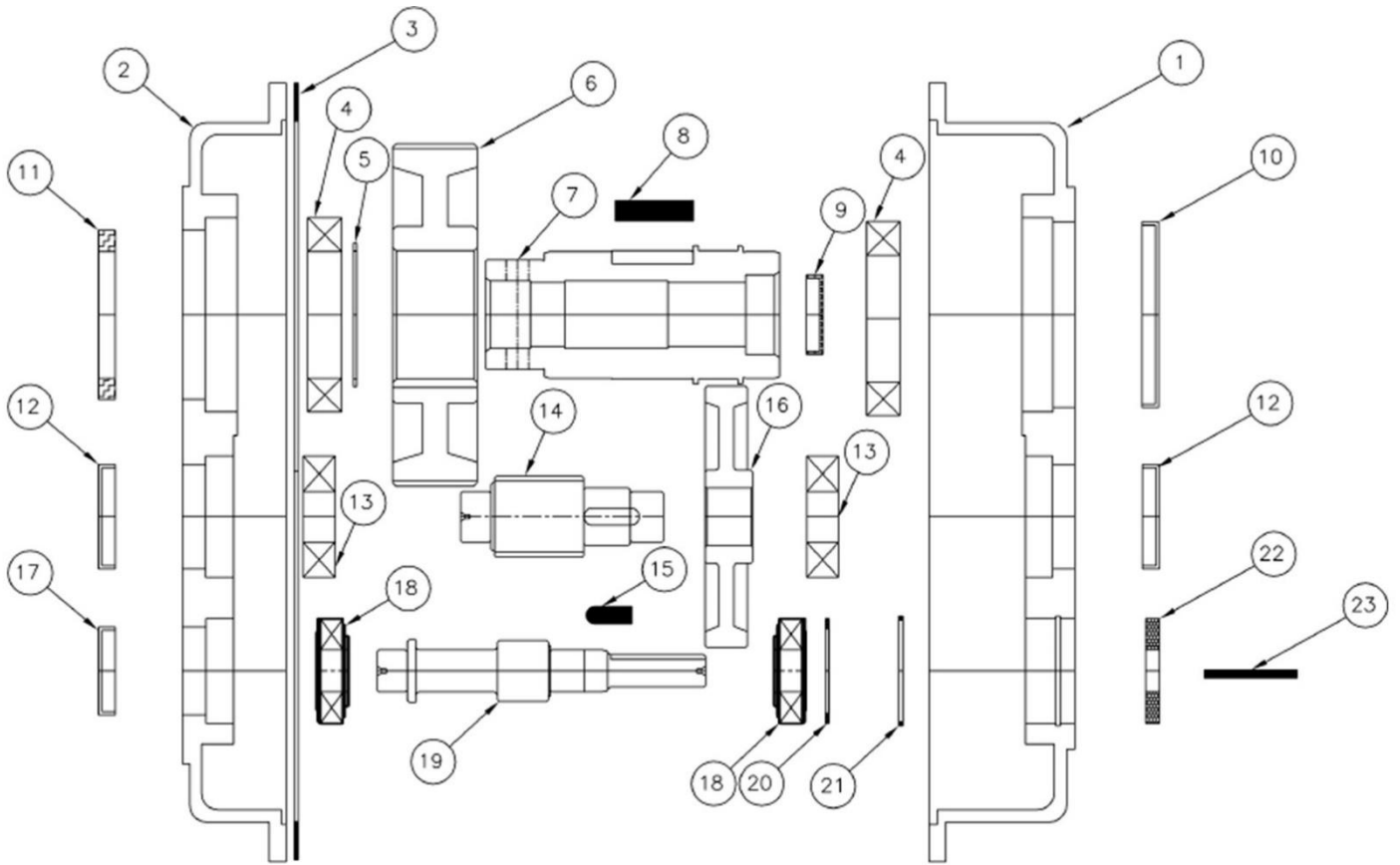
GEARBOX 2018



2018 GEARBOX					
#	SKU #	PART #	DESCRIPTION	4S	PRICELIST
1	TOCD012300	226711	HEX BOLT HD 1/2" X 3" - 226711 - T481	1	\$3.00
2	TCCN056GAL	227820	HEX NUT 5/16" - 227820	10	\$1.08
3	RNRX056GAL	176220	SPRING WASHER, 5/16" - 176220	10	\$1.08
4	N/A	496320	CASE G.R. FRONT HALF OLD STYLE (R4)	1	\$200.00
5	N/A	135470	PIN, SPR 1/4 X 5/8	2	\$1.08
6	N/A	110105	BRG, BALL 6013-2RS - 110105	2	\$47.70
7	N/A	496642	SLEEVE, G.R. (R1)	1	\$111.05
8	N/A	432290	KEY 1/4 X 2-1/2 (R2)	1	\$1.25
9	N/A	432150	KEY 3/8 X 1.38	1	\$1.25
10	N/A	496641	GEAR GR 60T 6DP (10 DIA)	1	\$228.96
11	N/A	496322	GEAR G.R. 60T, 10DP (6"DIA)	1	\$164.85
12	N/A	432050	KEY 3/16 X 1-5/8	1	\$1.25
13	N/A	496640	CASE G.R. REAR HALF (R1)	1	\$200.34
14	TOCD056100	225980	HEX BOLT, 5/16-18 X 1 HX GR2 CP NC - 225980	8	\$1.25
15	N/A	110550	GEARBOX BREATHER - 110550	1	\$2.12
16	N/A	187411	BUSHING, RDCR BLK 3/8 X 1/8 NPT	1	\$12.30
17	RNPX034GAL	174996	PLAIN WASHER 3/4" X 1-1/2 - 174996 - T108 - 248277	2	\$3.02
18	TOCD034100	227236	HEX BOLT 3/4 X 1 - 227236	1	\$1.25
19	N/A	185630	PLUG, 3/8 NPT PIPE BLACK	1	\$2.12
20	199380	199381	SEAL, OIL C/R 7440 - 199381	1	\$3.18
21	N/A	225990	BOLT, HEXHD PL 5/16UNC X1 1/4	2	\$1.08
22	N/A	496045	LINK GR LEVER, 4S-S12S (R2) FOR OLD STYLE GEARBOX	1	\$9.16
23	N/A	185632	PLUG, PIPE, MAGNETIC 3/8 NPT	1	\$9.33
24	0000BA6204	110410	BRG, BALL 6204 - 110410	4	\$10.18
25	N/A	496324	SHAFT PINION G.R. 12T 10 DP	1	\$100.74
26	N/A	496131	SHAFT G.R. PINION (R4)	1	\$61.82
27	N/A	496333	PINION GR 12T, 6DP (2" DIA)	1	\$57.24
28	N/A	199491	SEAL OIL C/R 24897	1	\$5.94
29	TCCS012GAL	227854	HEX LOCK NUT 1/2" - T106 - 227854 - C304	1	\$1.25
30	N/A	496645	*DISCONTINUED* - GEAR REDUCER OLD STYLE (OVAL SHAPED)	1	\$630.00

*When ordering parts please always specify the model and serial number of the mixers as a reference.

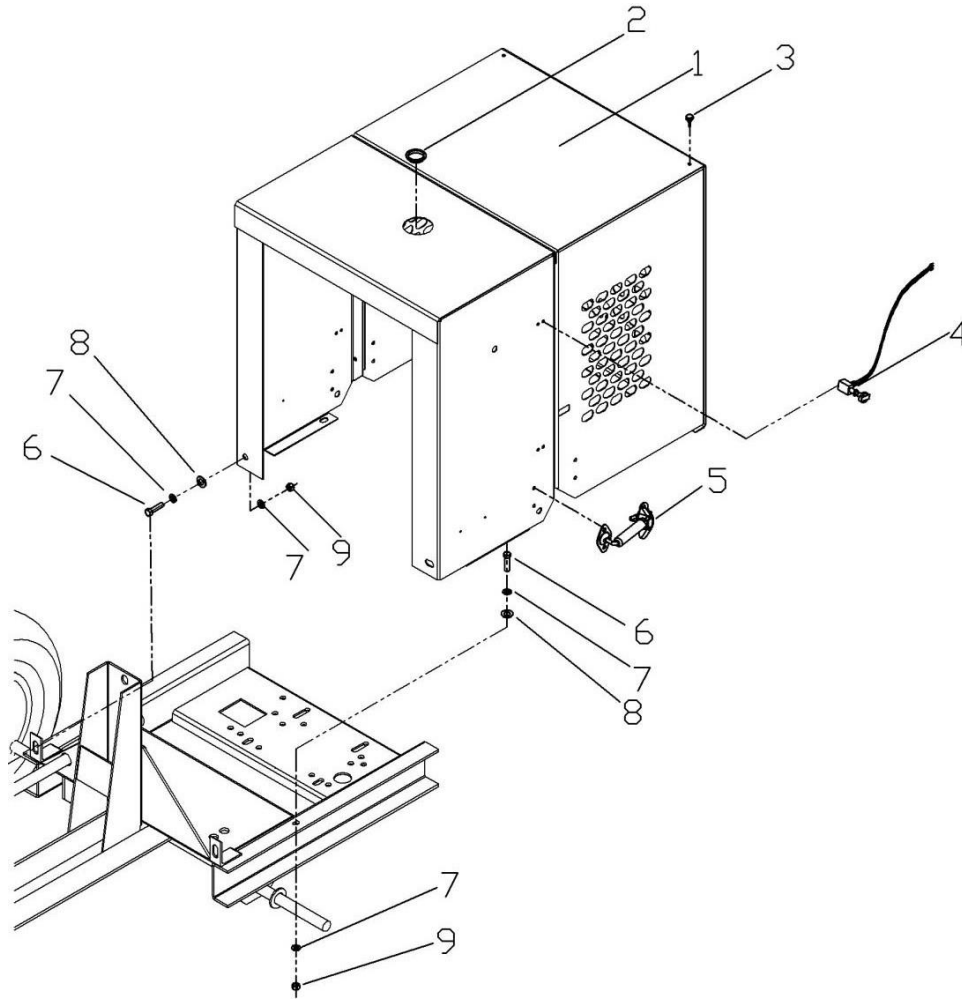
GEARBOX (AFTER 2019)



2019 GEARBOX					
#	SKU #	PART #	DESCRIPTION	4S	PRICELIST
1	N/A	702128	GEARBOX CASING - FRONT ALL MODELS (NEW GEARBOX)	1	\$200.00
2	N/A	702129	GEARBOX CASING - BACK ALL MODELS (NEW GEARBOX)	1	\$200.00
3	N/A	702130	GEARBOX LIQUID GASKET (ALL MODELS)	1	\$30.00
4	N/A	702131	OUTPUT BEARING (NEW GEARBOX)	2	\$45.00
5	N/A	702132	OUTUPT SPACER (NEW GEARBOX)	1	\$12.00
6	N/A	702133	OUTPUT GEAR Z65 (NEW GEARBOX)	1	\$158.66
7	N/A	702134	OUTPUT HUB (NEW GEARBOX)	1	\$84.62
8	N/A	702135	OUTPUT KEY (NEW GEARBOX)	1	\$1.75
9	N/A	702136	OUTPUT HUB END COVER DAI.47 (NEW GEARBOX)	1	\$20.00
10	N/A	702137	GEARBOX FRONT CASING END COVER DAI. 110 (NEW GEARBOX)	1	\$18.00
11	N/A	702138	OUTPUT OILSEAL 75X100X10 (NEW GEARBOX)	1	\$15.00
12	N/A	702139	INTERMEDIATE END COVER DAI. 62 (NEW GEARBOX)	2	\$18.00
13	N/A	702140	INTERMEDIATE BEARING -6306 (NEW GEARBOX)	2	\$26.00
14	N/A	702141	INTERMEDIATE PINION Z13 (NEW GEARBOX)	1	\$38.08
15	N/A	702142	INTERMEDIATE KEY - W 10 X L 27 (NEW GEARBOX)	1	\$1.75
16	N/A	702143	INTERMEDIATE GEAR Z70 (NEW GEARBOX)	1	\$48.66
17	N/A	702144	INPUT END COVER DAI. 52 (NEW GEARBOX)	1	\$18.00
18	N/A	702145	INPUT BEARINGS - 30305 (NEW GEARBOX)	2	\$30.00
19	N/A	702146	INPUT PINION Z14 (NEW GEARBOX)	1	\$29.62
20	N/A	702147	INPUT BEARINGS LOADING SPACER (NEW GEARBOX)	1	\$12.00
21	N/A	702148	CIRCLIP B62 HEAVY (NEW GEARBOX)	1	\$1.08
22	N/A	702149	INPUT OILSEAL - 25 X 62 X 10 (NEW GEARBOX)	1	\$12.00
23	N/A	702150	INPUT PINION KEY - 3/16 X 3/16 X L55 (NEW GEARBOX)	1	\$1.75
24	N/A	702151	HEX BOLTS - M8X35 (NEW GEARBOX)	6	\$2.00
25	N/A	702152	STUDS - M8 X 57 (NEW GEARBOX)	2	\$2.50
26	N/A	702153	HEX NUTS -M8 X 35 (NEW GEARBOX)	10	\$2.00
27	N/A	702154	SPRING WASHER - M8 (NEW GEARBOX)	8	\$2.00
28	N/A	702155	ALLEN HEAD DRAIN PLUG 3/8 BSP (NEW GEARBOX)	1	\$1.75
29	N/A	702156	HEX HEAD PLUG 3/8 BSP (NEW GEARBOX)	1	\$2.00
30	N/A	702157	SIGHT GLASS 3/8 BSP (NEW GEARBOX)	1	\$20.00
31	N/A	702158	BREATHER PLUG 3/8 BSP (NEW GEARBOX)	1	\$19.00
32	N/A	702159	STICKER- FILL OIL (NEW GEARBOX)	1	\$5.00
33	N/A	702160	BRACKET PLATES FOR TORQUE ARM (NEW GEARBOX)	2	\$12.00
34	N/A	702161	TURNBUCKLE (NEW GEARBOX)	1	\$43.40
35	N/A	702162	TORQUE ARM - RIGHT HAND - M12 (NEW GEARBOX)	1	\$3.00
36	N/A	702163	TORQUE ARM - LEFT HAND - M13 (NEW GEARBOX)	1	\$3.00
37	N/A	702164	HEX NUT - RIGHT HAND - M12 (NEW GEARBOX)	1	\$3.00
38	N/A	702165	HEX NUT - LEFT HAND - M12 (NEW GEARBOX)	1	\$3.00
39	TOCD038112	226230	HEX BOLT 3/8" X 1-1/2" - T176 - C141 - 226230	1	\$1.25
40	TCCS038GAL	227830	HEX LOCK NUT 3/8" - 227830 - T114 - C142	2	\$1.25
41	TOCD038200	226250	HEX BOLT HD, GR5 3/8" X 2" - 226250 - T145- C158	1	\$1.25
42	TOCD056200	701022	BOLT, HEX HD, 5/16 X 2" - 701022	2	\$1.25
43	RNRX056GAL	176220	SPRING WASHER, 5/16" - 176220	2	\$1.08
44	TCCN056GAL	227820	HEX NUT 5/16" - 227820	2	\$1.08
*	N/A	119225-A	TURNBUCKLE INCLUDE YOKES (NEW STYLE)	1	\$35.00
*	N/A	496645-A	NEW GEARBOX ASSEY W/ CONN. ROD & LINK LEVER AFTER 2018	1	\$630.00

*When ordering parts please always specify the model and serial number of the mixers as a reference.

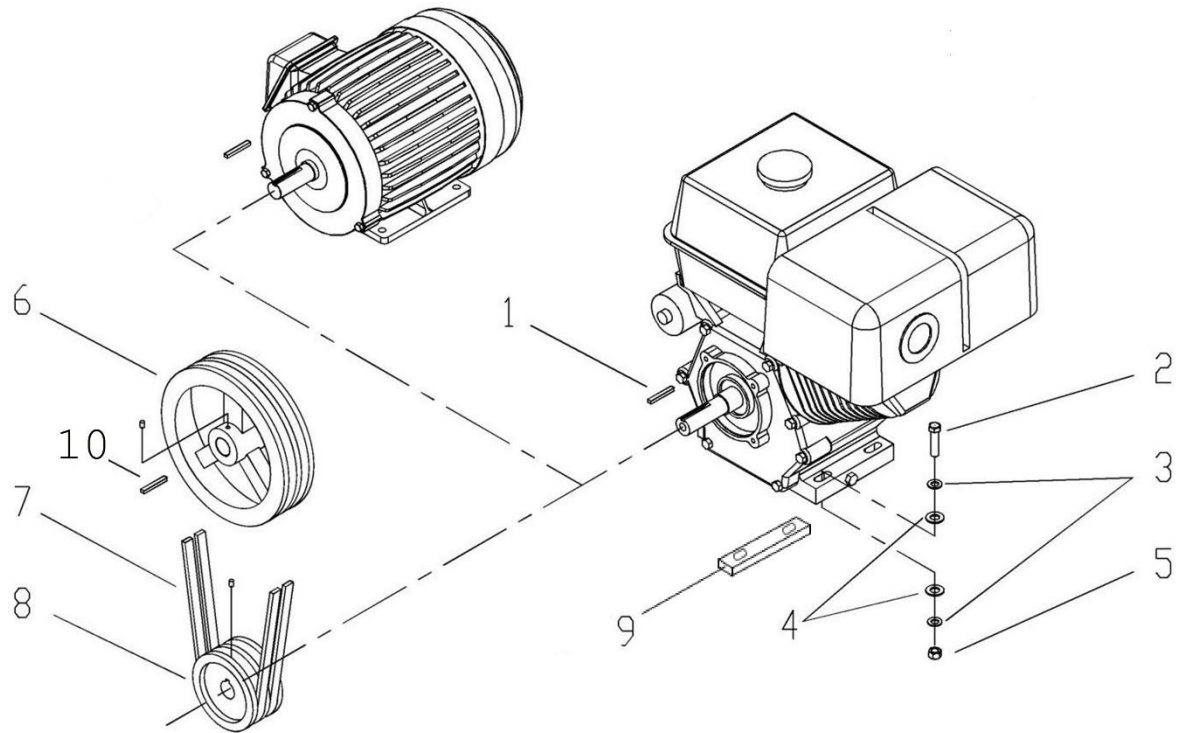
HOOD



SHROUD ASSEY					
#	SKU #	PART #	DESCRIPTION	4S	PRICELIST
1	N/A	464900	HOOD ASSEMBLY, 4S TYPE C	1	\$500.00
2	1000RF01GA	701008	PLUG 2" SNAP IN - 701008 - 174141 - 317333	1	\$1.08
3	0000RF01GA	201544	RUBBER SCREW 1/4" FOR SHROUD - T158 - C159 - 201544	4	\$3.15
4	1000KI04GA	701007	ENGINE KILL SWITCH ASSEY RED (WITH HARNESS) 701007 - T193	1	\$29.00
4	0200KI01GA	112500	ENGINE N.O KILL SWITCH RED (NO HARNESS) - 816769AS - 112500 - T195-1 - 290100	1	\$18.00
5	0000RF02GA	701004	SHROUD HOOK ASSEMBLY - T160 - C161 - 701004 - 201543	2	\$9.00
6	TOCD038112	226230	HEX BOLT 3/8" X 1-1/2" - T176 - C141 - 226230	4	\$1.25
7	RNPX038GAL	174986	PLAIN WASHER 3/8" - T112 - C139 - 174986 - 701032	8	\$1.08
8	RNPX012GAL	174470	PLAIN WASHER 1/2" - T105 - C172 - 174470 (GALVANIZED)	4	\$2.12
9	TCCS038GAL	227830	HEX LOCK NUT 3/8" - 227830 - T114 - C142	4	\$1.25

*When ordering parts please always specify the model and serial number of the mixers as a reference.

DRIVE



POWER ASSEY			GAS		ELECTRIC			PRICELIST
#	SKU #	PART #	5HP	8HP	1.5HP	2HP	3HP	
1	N/A	432050	1	*	1	1	*	\$1.25
1	0200CC03TR	432340	*	1	*	*	1	\$1.25
2	TOCD056200	701022	4	*	*	*	*	\$1.25
2	TOCD038200	226250	*	4	*	*	*	\$1.25
2	TOCD056100	225980	*	*	4	*	*	\$1.25
2	TOCD038100	226210	*	*	*	4	4	\$1.25
3	RNPX056GAL	174990	8	*	8	8	8	\$1.08
3	RNPX038GAL	174986	*	8	*	*	*	\$1.08
4	RNPX012GAL	174470	8	8	8	8	8	\$2.12
5	TCCS056GAL	227821	4	*	4	4	4	\$1.25
5	TCCS038GAL	227830	*	4	*	*	*	\$1.25
6	N/A	496160	1	1	1	1	1	\$89.29
7	0000BNA37C	702024-A	2	2	*	*	*	\$20.00
7	0000BNA40	702024	2	2	2	2	2	\$25.00
7	SM00156EXT	701029	*	*	2	2	2	\$6.47
7	0000BNA44	702013	*	*	2	2	2	\$25.00
8	POFG3340342R	702025	1	*	*	*	*	\$50.00
8	POFG3341002R	702010	*	1	*	*	*	\$50.00
8	POFG4140582R	702026	*	*	1	*	*	\$50.00
8	POFG4140782R	702095	*	*	*	1	*	\$50.00
8	POFG4141182R	702011	*	*	*	*	1	\$50.00
9	N/A	702187	N/A	N/A	N/A	N/A	N/A	\$10.00
10	N/A	432050	1	1	1	1	1	\$1.25

*When ordering parts please always specify the model and serial number of the mixers as a reference.



P.O. Box 73 Station L
Winnipeg MB, Canada
R3H 0Z4

10 Keenleyside St,
Unit D. Winnipeg MB,
Canada R2L 2B9

Phone (877) 403 1220

Phone (204) 831 8468

Fax (204) 831 8590

www.crownequip.com