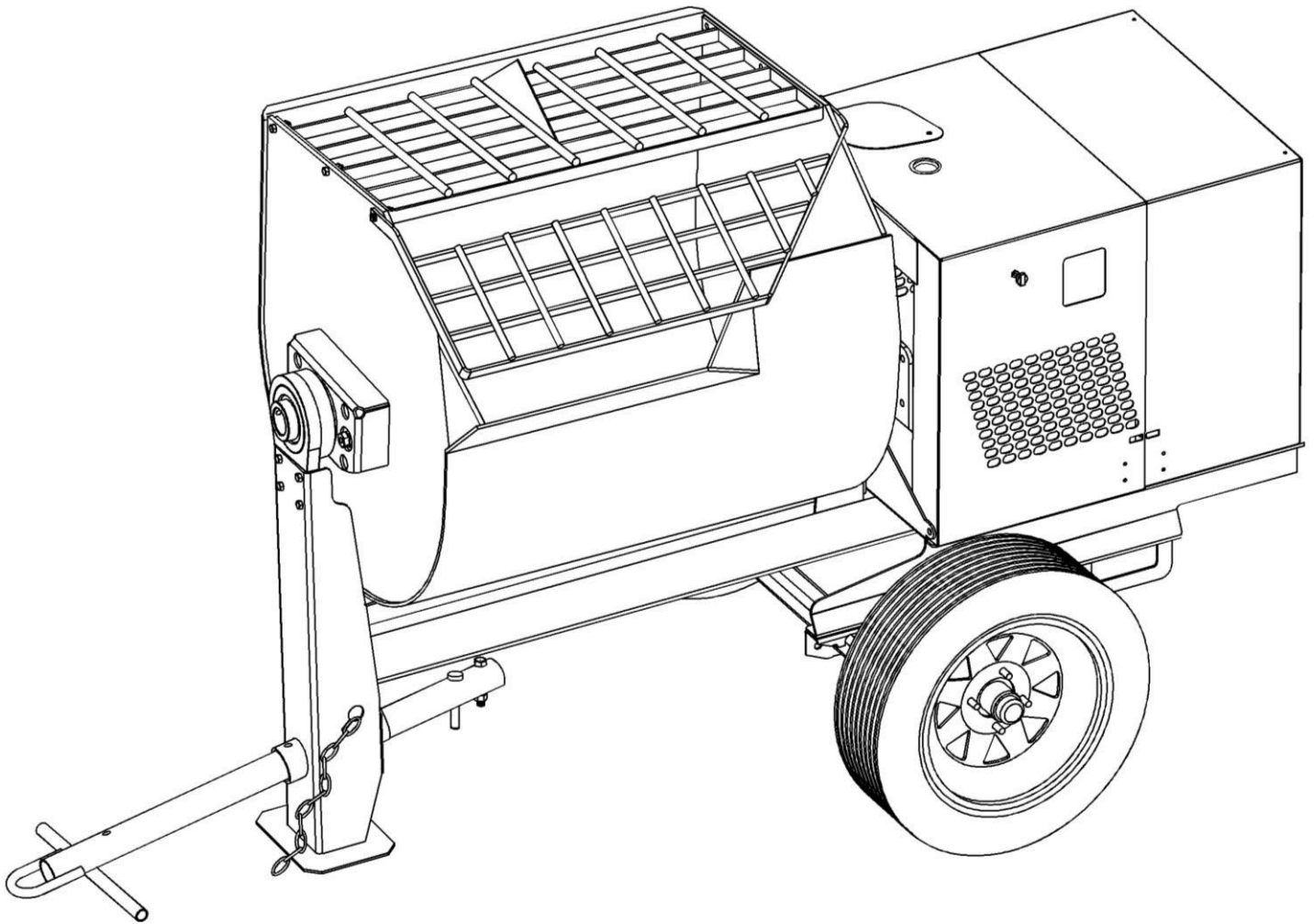


REPAIR PARTS MANUAL

SERIES	12:16-SH
BULLETIN No.	200212R05
SUPERSEDES	200212R04
DATE	Oct 2007
Last Rev: February 2015	

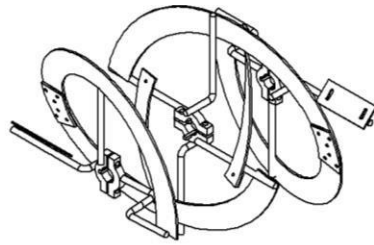
HYDRAULIC MIXERS 12-SH, S12-SH, S16-SH



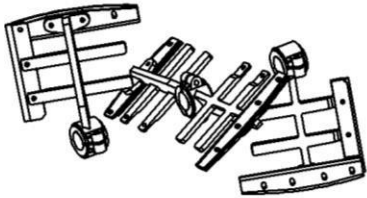
*When ordering parts please always specify the model and serial number of the mixers as a reference. Printed in CANADA

HYDRAULIC MIXERS

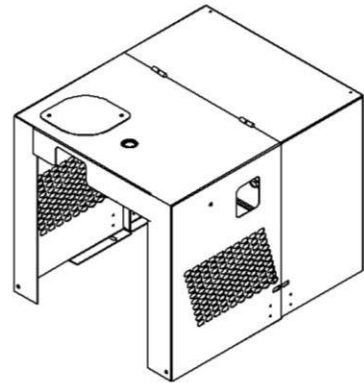
12-SH, S12-SH, S16-SH



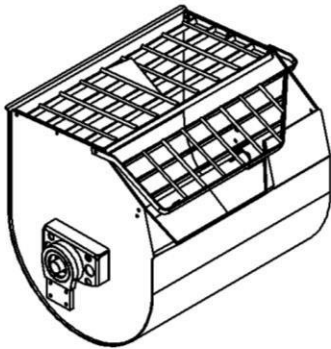
SPIRAL
Page 6



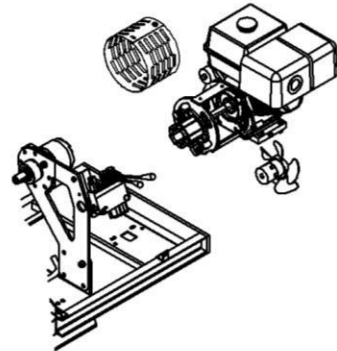
PADDLE
Page 7



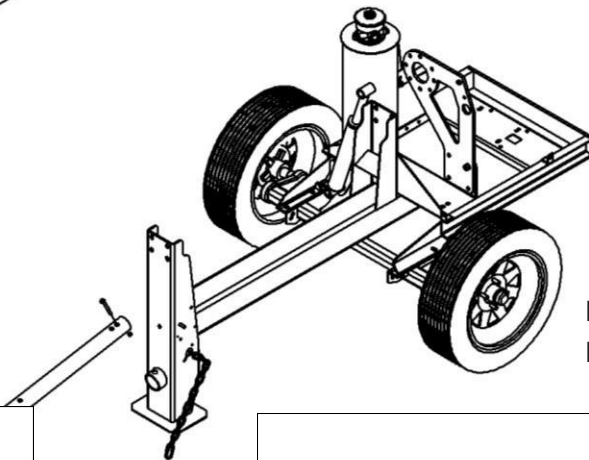
HOOD
Page 8



DRUM
Page 3



DRIVE
Page 9



FRAME
Page 4

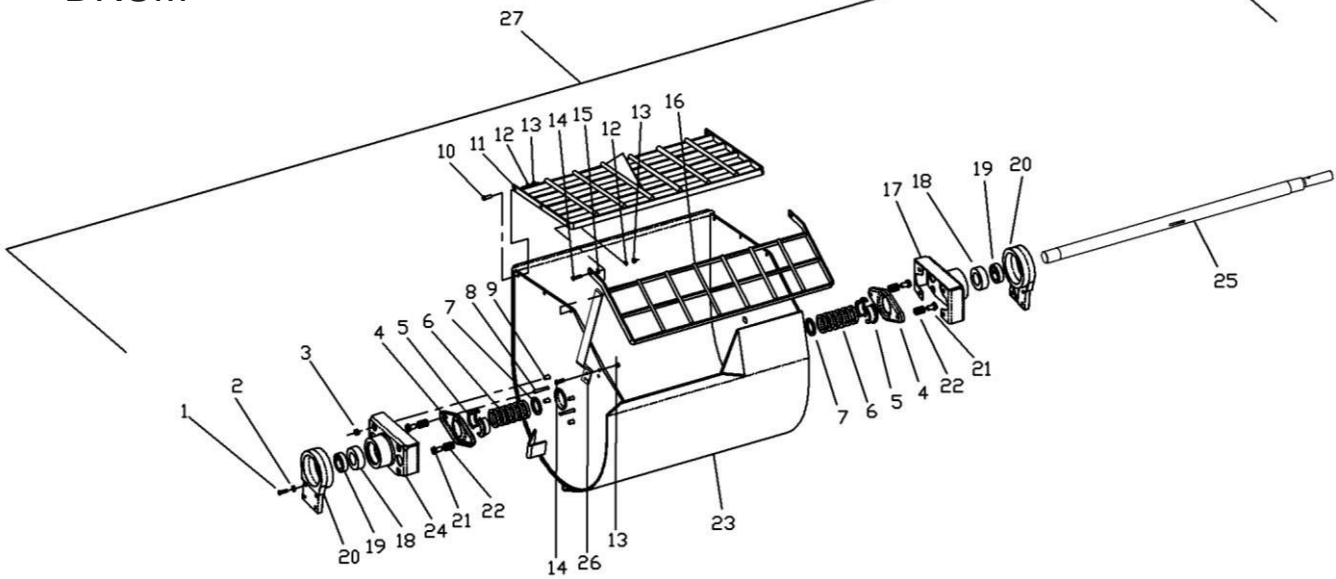
P.O. Box 73 Station L
Winnipeg MB, Canada
R3H 0Z4

354 SAULTEAUX, CR
Winnipeg MB, Canada
R3J 3T2

Phone (877) 403 1220
Phone (204) 831 8468
Fax (204) 831 8590
www.crownequip.com

*When ordering parts please always specify the model and serial number of the mixers as a reference.

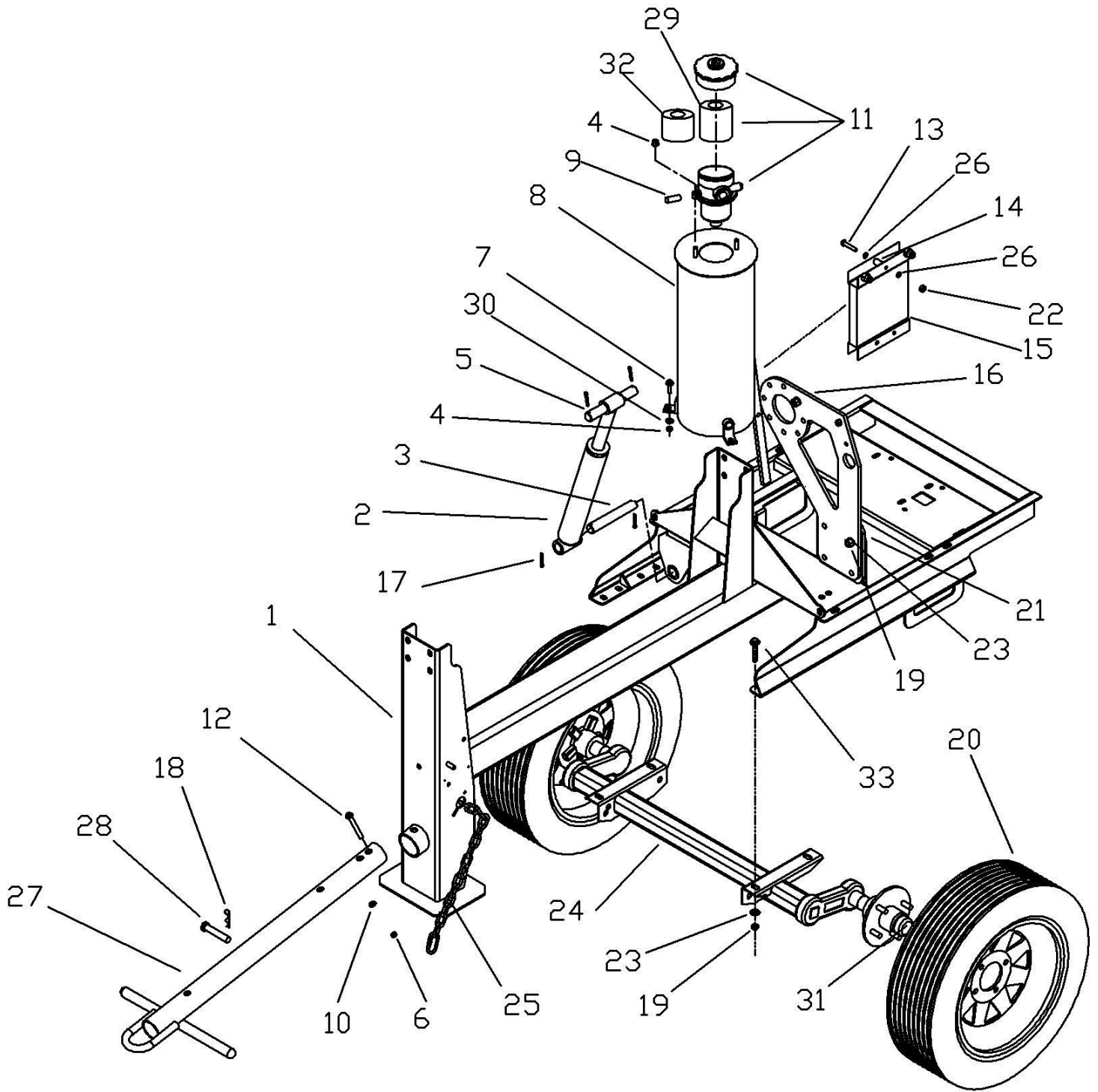
DRUM



Ref	Part #	Description	12SH	S12SH	S16SH
1	226650	Bolt, Hex Hd, 1/2 x 1-1/2 (TOCD012112)	8	8	8
2	176250	Washer, Spring, 1/2 (RNRX012GAL)	8	8	8
3	227854	Nut, Hex 1/2, Top Lock Gr5 (TCCS012GAL)	8	8	8
4	496855	Spring Plate	2	2	2
5	465925	Gland, Half Packing	4	4	4
6	465920	Packing, Alb# 176 3/8 x 3/8 x 7.25L	12	12	12
7	465915	Packing Seal Ring	2	2	2
8	117831	Bolt, Carriage, 3/8 x 3 (TOCL038300)	4	4	4
9	118331	Bolt, Carriage, 1/2 x 1.5 (TOCL012112)	8	8	8
10	226220	Bolt, Hex Hd, 3/8 x 1-1/4 (TOCD038114)	4	4	4
11	496490	Grill, Fixed	1	1	*
	465024	Grill, Fixed	*	*	1
12	174986	Washer, Plain, 3/8 (RNPX038GAL)	6	6	6
13	227830	Nut, Hex Lock, 3/8 (TCCS038GAL)	8	8	8
14	226230	Bolt, Hex Hd, 3/8 x 1-1/2 (TOCD038112)	4	4	4
15	174470	Washer, Plain, 1/2 (RNPX012GAL)	2	2	2
16	496395	Grill, Hinged	1	1	*
	465036	Grill, Hinged	*	*	1
17	412861	Trunnion (w/ cylinder mount bushing)	1	1	1
18	110452	Ball Bearing, 3210 - 2RS JAF	2	2	2
19	410453	Bearing Lock Collar, (includes set screw # OPCR012012)	2	2	2
20	496071	Pivot	2	2	2
21	496860	T-Nut, 3/8-16	4	4	4
22	496861	Spring, Packing Compressed	4	4	4
23	412865	Drum 12SH - S12SH	1	1	*
	412866	Drum S16SH	*	*	1
24	496850	Trunnion	1	1	1
25	496671	Old Main Shaft S16SH before February 2012 (Includes Keys)	*	*	1
	702090	Main Shaft S16SH since February 2012 (Includes Keys)	*	*	1
	496670	Old Main Shaft S12SH before February 2012 (Includes Keys)	*	1	*
	496672	Main Shaft 12SH since February 2012 (Includes Keys)	1	1	*
26	496224	Drum lever	1	1	1
27	610501	Drum Kit 12SH (includes Paddles)	1	*	*
	609999	Drum Kit S12SH (includes Spiral)	*	1	*
	609997	Drum Kit S16SH (includes Spiral)	*	*	1
	607779	Drum Kit 16SH (includes Paddles)	*	*	1

*When ordering parts please always specify the model and serial number of the mixers as a reference.

FRAME



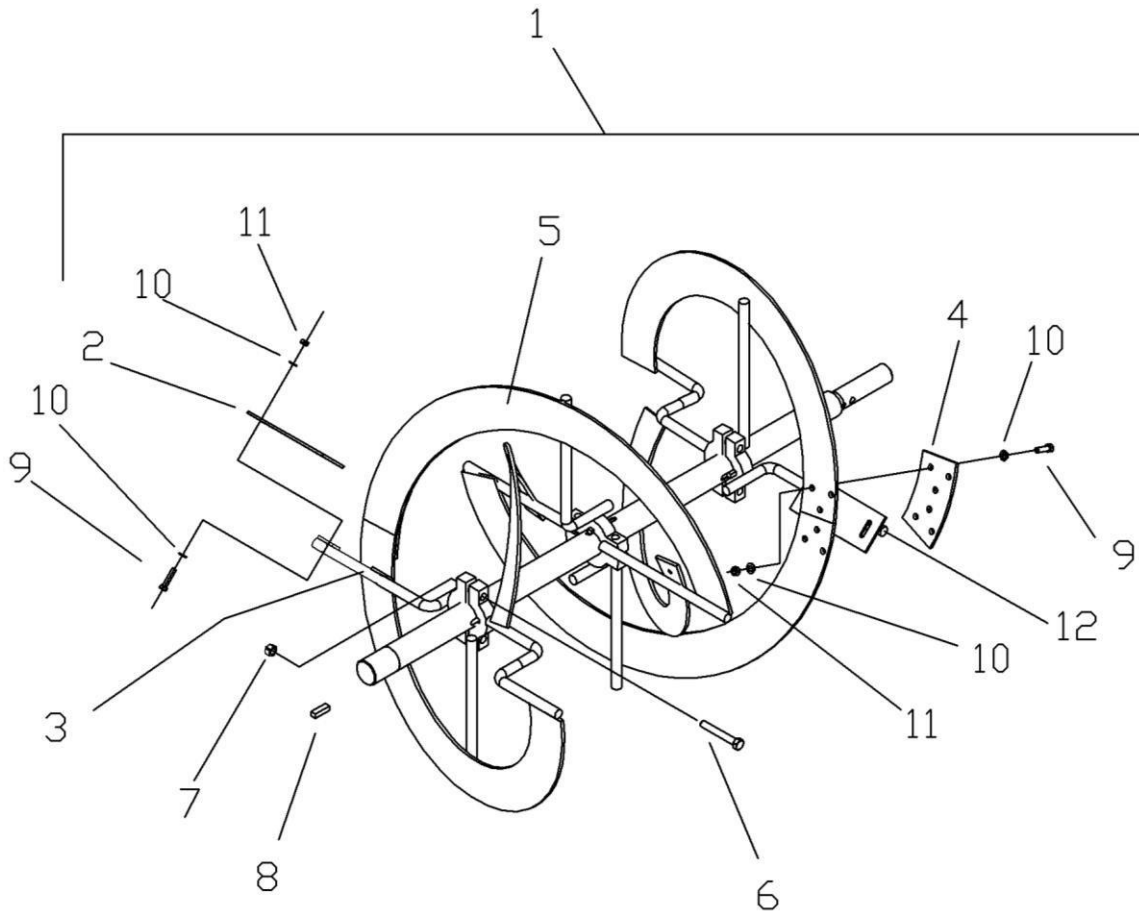
*When ordering parts please always specify the model and serial number of the mixers as a reference.

FRAME

Ref	Part #	Description	12SH	S12SH	S16SH
1	412863	Frame	1	1	*
	412862	Frame	*	*	1
2	412915	Cylinder, Hyd 2" x 10"	1	1	1
3	412855	Pin, Cylinder 1 x 6.5"	1	1	1
4	227830	Nut, Hex Lock, 3/8 (TCCS038GAL)	5	5	5
5	412826	Pin,Cylinder 1 x 5.5"	1	1	1
6	701028	Nut, 3/4 NF (TCFN034GAL)	1	1	1
7	226210	Bolt, HexHd, 3/8 x 1 (TOCD038100)	3	3	3
8	412801	Reservoir Assembly	1	1	1
9	412873	Filter Element, Breather 10 Micron	1	1	1
10	174510	Washer, Spring, 3/4 (RNRX034GAL)	1	1	1
11	412857	Filter, Assembly 10 Micron (includes #33)	1	1	1
12	226272	Bolt, HexHd, 3/4 x 3-1/2 NF (TOFD034312)	1	1	1
13	701009	Bolt, HexHd, 5/16 x 3 (TOCD056300)	2	2	2
14	412167	Spacer	2	2	2
15	412902	Hydraulic Oil Cooler	1	1	1
16	412810	Reaction Arm	1	1	1
17	135810	Cotter Pin, 1/8 x 1-1/2 (SC018112NOR)	3	3	3
18	134955	Hitch Pin Clip (SR00316EXT)	1	1	1
19	227854	Nut, Hex Lock 1/2 (TCCS012GAL)	8	8	8
20	431081	Wheel & Tire Assy. 5.5 x 13 (0000CO01RD)	2	2	2
21	226650	Bolt, HexHd 1/2 x 1-1/2 Gr5 (TOCD012112)	4	4	4
22	227821	Nut, Hex Lock, 5/16 (TCCS056GAL)	2	2	2
23	174470	Washer, Plain 1/2 (RNPX012GAL)	8	8	8
24	607916	Torsion Axle	1	1	1
25	701012	Safety Chain (CA03056GAL)	1	1	1
26	174990	Washer, Plain 5/16 (RNPX056GAL)	4	4	4
27	702076	Drawbar - Pintel (1000HY02LZ) since November 15, 2013	1	1	1
	702077	Drawbar - 2" Ball Hitch (1000HY01LZ) since November 15, 2013	opt	opt	opt
28	702078	Pin, Lock (0000CR01LZ)	1	1	1
29	412860	Filter Element, Oil 10 Micron 2" x 8"	1	1	1
30	174986	Washer Plain, 3/8 (RNPX038GAL)	6	6	6
31	702087	Dust Cap (0000RF06RD)	1	1	1
32	702088	Filter Element, Oil 10 Micron 2" x 5" (for old mixers)	1	1	1
33	226660	Bolt, HexHd, 1/2 x 1-3/4 (TOCD012134)	4	4	4

*When ordering parts please always specify the model and serial number of the mixers as a reference.

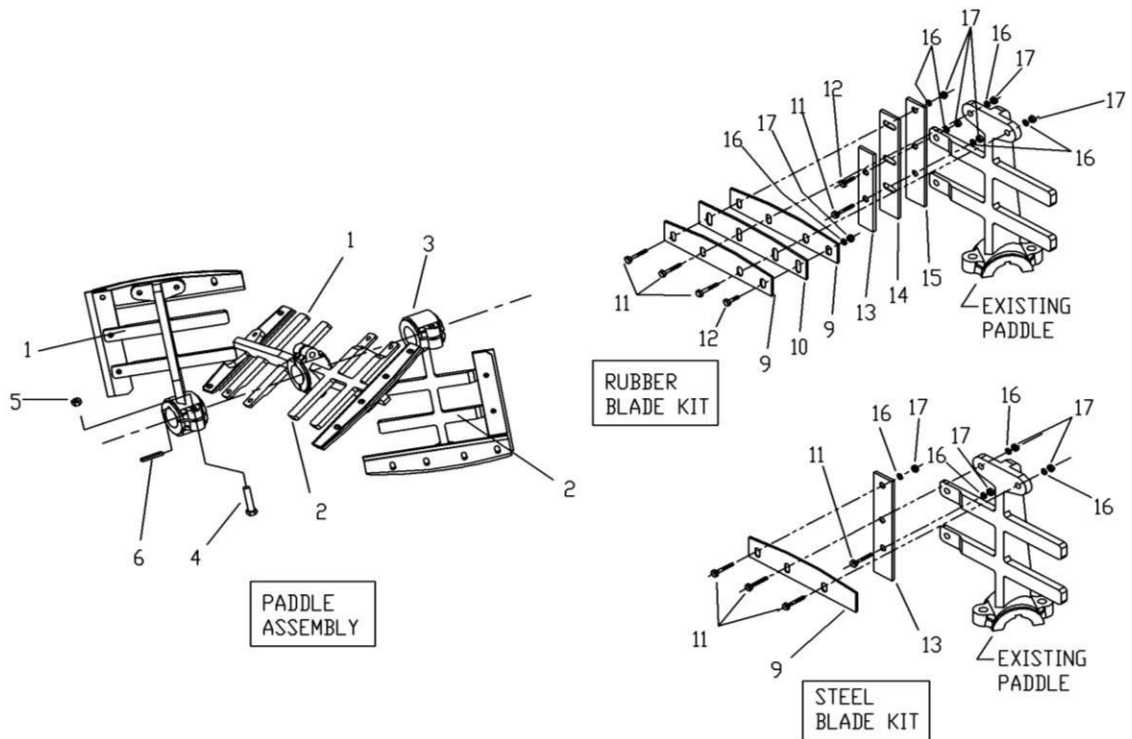
SPIRAL



Ref	Part #	Description	12SH	S12SH	S16SH
1	702001	Spiral Kit with Main Shaft, S12SH (if your machine is before February 12, 2013)	*	1	*
	702082	Spiral Kit with Main Shaft, S16SH (if your machine is before February 12, 2013)	*	*	1
2	496242	Scraper S12S - S16S	*	2	2
3	702004	Bracket, Arm Right	*	1	1
4	702005	Spiral Link Plate	*	2	2
5	465004	Spiral Assembly S12SH without Main Shaft (if your machine is after February 12, 2013)	*	1	*
	465005	Spiral Assembly S16SH without Main Shaft (if your machine is after February 12, 2013)	*	*	1
6	120520	Bolt, HexHd, 1/2 x 3-1/2 (TOCD012312)	*	6	6
7	227854	Lock Nut, 1/2 (TCCS012GAL)	*	6	6
8	702098	Key, 3/8 x 2-3/4	*	4	4
9	226220	Bolt, HexHd, 3/8 x 1-1/4 (TOCD038114)	*	18	18
10	174986	Flat Washer, 3/8 (RNPX038GAL)	*	36	36
11	227830	Lock Nut, 3/8 (TCCS038GAL)	*	18	18
12	702003	Bracket, Arm Left	*	1	1

*When ordering parts please always specify the model and serial number of the mixers as a reference.

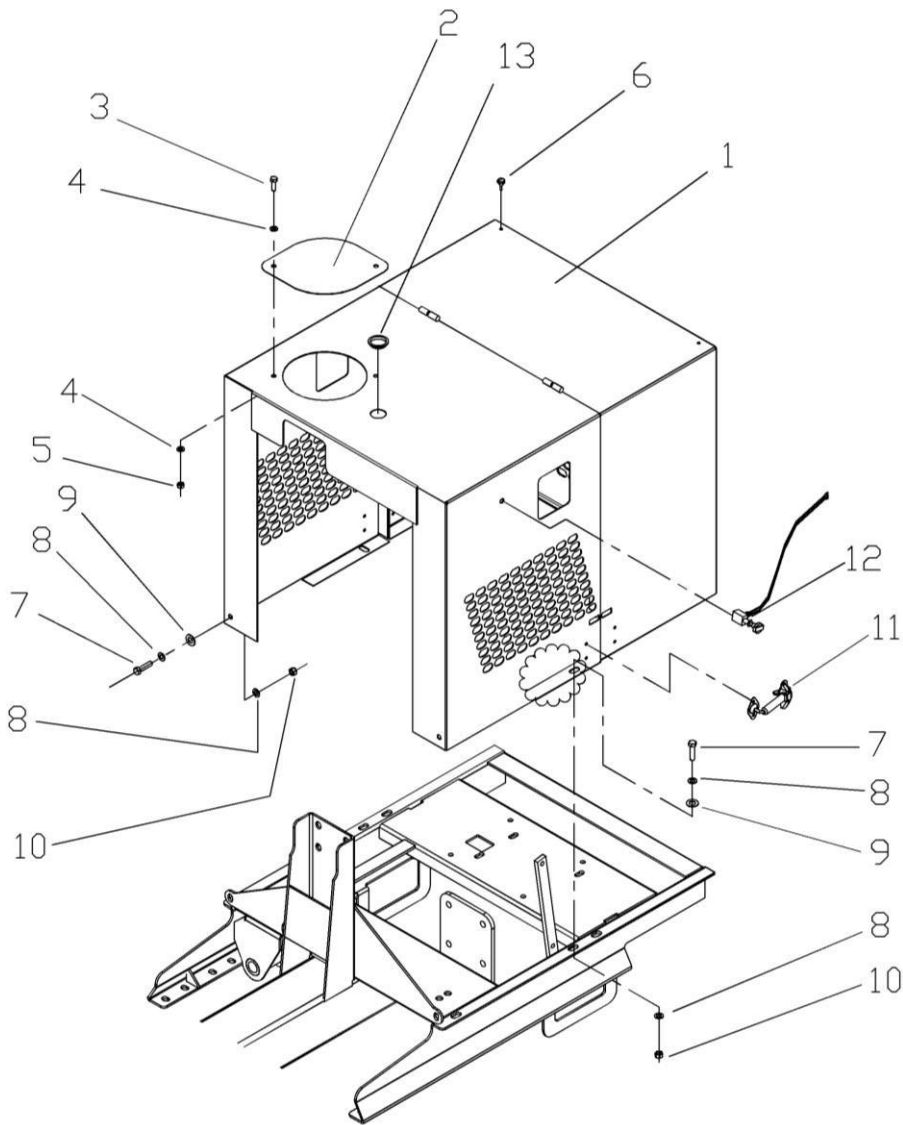
PADDLE - 610560



Ref	Part #	Description	12SH	S12SH	S16SH
Paddle Assembly 610560					
1	96125	Paddle LH	2	OPT	OPT
2	96124	Paddle RH	2	OPT	OPT
3	96126	Cap, Paddle	2	OPT	OPT
4	120520	Bolt, HexHd G5 PI 1/2 UNC x 3-1/2 (TOCD012312)	6	OPT	OPT
5	227854	Lock Nut, 1/2 (TCCS012GAL)	6	OPT	OPT
6	702098	Key 3/8 x 2-3/4	4	OPT	OPT
Rubber Blade Kit - 609804					
9	496097	Blade, Top	8	OPT	OPT
10	190973	Wiper, Top	4	OPT	OPT
11	226250	Bolt, HexHd, 3/8 x 2 (TOCD038200)	14	OPT	OPT
12	226230	Bolt, HexHd, 3/8 x 1-1/2 (TOCD038112)	6	OPT	OPT
13	496098	Blade, Side	2	OPT	OPT
14	190974	Wiper, Side	2	OPT	OPT
15	496099	Blade, Side	2	OPT	OPT
16	174986	Flat Washer, 3/8 (RNPX038GAL)	40	OPT	OPT
17	227830	Lock Nut, 3/8 (TCCS038GAL)	20	OPT	OPT
Steel Blade Kit - 609814					
9	496097	Blade, Top	4	OPT	OPT
11	226250	Bolt, HexHd, 3/8 x 2 (TOCD038200)	14	OPT	OPT
13	496098	Blade, Side	2	OPT	OPT
16	174986	Flat Washer, 3/8 (RNPX038GAL)	28	OPT	OPT
17	227830	Lock Nut, 3/8 (TCCS038GAL)	14	OPT	OPT

*When ordering parts please always specify the model and serial number of the mixers as a reference.

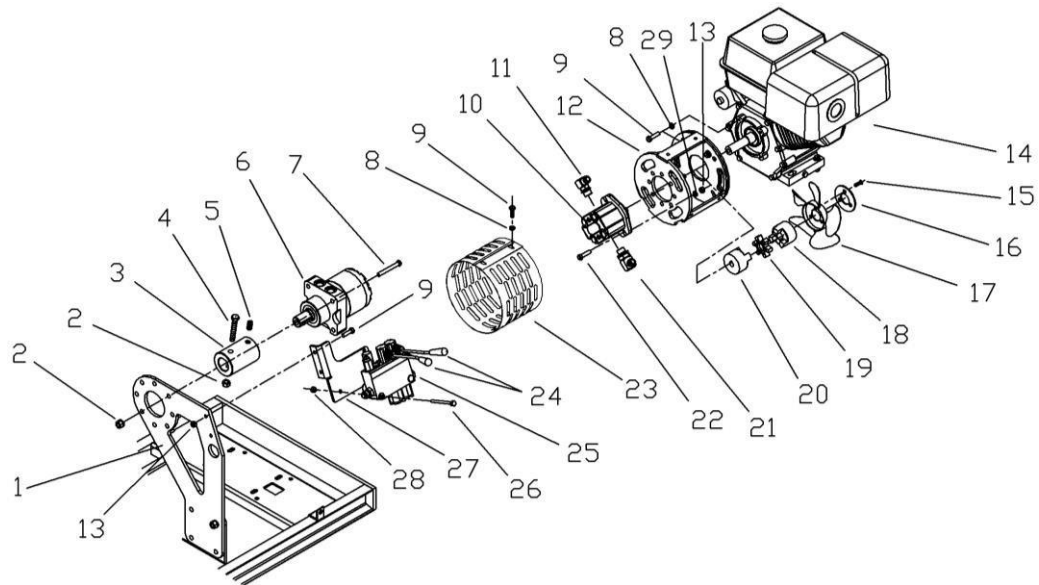
HOOD



REF	Part #	Description	12SH	S12SH	S16SH
1	702006	Hyd. Hood (1013CO01GA) Starts from Serial No. 3A9S22M1XE1168001 Since November 27, 2014	1	1	1
	464735	Old Hood Assy	1	1	1
2	412825	Acces Cover	1	1	1
3	225980	Bolt, HexHd, 5/16 x 1 (TOCD056100)	2	2	2
4	174990	Flat Washer, 5/16 (RNPX056GAL)	4	4	4
5	227821	Lock Nut, 5/16 (TCCS056GAL)	2	2	2
6	201544	Rubber Bumper (0000RF01GA)	4	4	4
7	226230	Bolt, HexHd, 3/8 x 1-1/2 (TOCD038112)	4	4	4
8	174986	Flat Washer, 3/8 (RNPX038GAL)	8	8	8
9	174470	Flat Washer, 1/2 (RNPX012GAL)	4	4	4
10	227830	Lock Nut, 3/8 (TCCS038GAL)	4	4	4
11	701004	Hook (0000RF02GA)	2	2	2
12	701007	Complete, Push Stop (1000KI04GA)	1	1	1
13	701008	Snap (317333) (1000RF01GA)	1	1	1

*When ordering parts please always specify the model and serial number of the mixers as a reference.

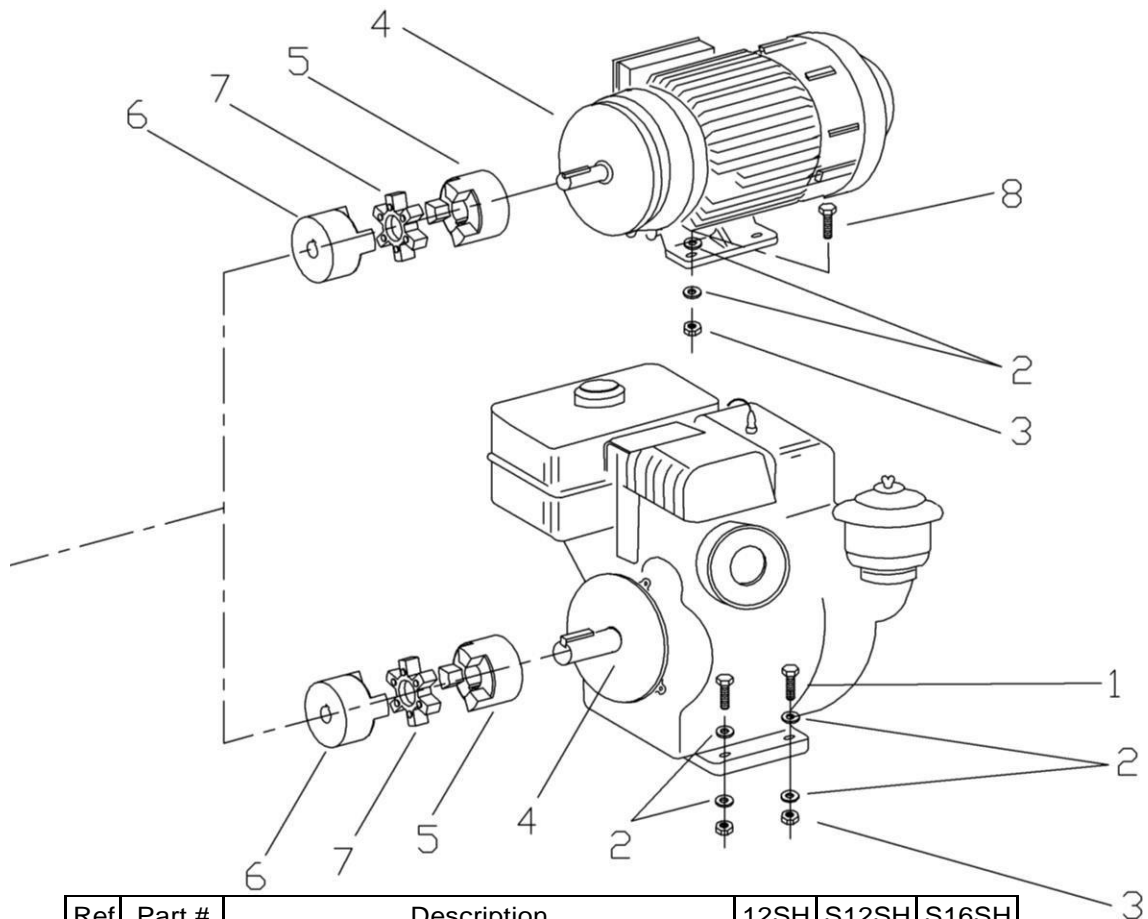
DRIVE



Ref	Part #	Description	12SH	S12SH	S16SH
1	412810	Reaction Arm	1	1	1
2	227854	Nut, Hex Lock 1/2 (TCCS012GAL)	5	5	5
3	412814	Coupler, 1.5" W/P key	1	1	1
4	401006	Bolt 1/2 x 4 Gr5 (TOCD012400)	1	1	1
5	228028	Allen Screw, 5/16 x 3/8 (OPCR056038)	1	1	1
6	412950	Motor, Hyd 32.7 In3/Rev	1	1	1
7	226690	Bolt, HexHd, 1/2 x 2-1/2 (TOCD012212)	4	4	4
8	176230	Washer, Spring, 3/8 (RNRX038GAL)	6	6	6
9	226210	Bolt, HexHd, 3/8 x 1 (TOCD038100)	8	8	8
10	412927	Pump, Hyd. .366 In3 Rev, Gas Engine	a/r	a/r	a/r
	412928	Pump, Hyd. .659 In3 Rev, Elec Motor	a/r	a/r	a/r
11	412926	Adapter, 90°#10 ORB Male ~ #10 JIC	1	1	1
12	412800	Pump Mount W.A. ~ "A" Flange	1	1	1
	702008	Pump Mount W.A. Electric Motor (1017CO01PM)	1	1	1
13	227830	Nut, Hex, Lock 3/8 (TCCS038GAL)	4	4	4
14		Motor/Engine, See page 10	a/r	a/r	a/r
15	142532	SHCS 5/16 x 3/4, CSK	3	3	3
16	412815	Fan Collar, 2" BCD	1	1	1
17	412851	Fan, 8" CCW	1	1	1
18		Coupler, See page 10			
19		Insert, See page 10			
20		Coupler, See page 10			
21	412920	Adapter, 90°#12 ORB Male ~ #10 JIC	1	1	1
22	226250	Bolt, HexHd, 3/8 x 2 (TOCD038200)	2	2	2
23	412820	Guard, 9" Dia	1	1	1
	702009	Guard, Electric Motor (1017LA01PM)	1	1	1
24	485704	Lever, Valve Control	2	2	2
25	412914	Valve, 2 Spool Press Comp	1	1	1
26	701009	Bolt, HexHd, 5/16 x 3 (TOCD056300)	2	2	2
27	412818	Valve mounting Bracket	1	1	1
28	227821	Nut, Lock 5/16 (TCCS056GAL)	2	2	2
29	174986	Washer, Plain 3/8"	4	4	4

*When ordering parts please always specify the model and serial number of the mixers as a reference.

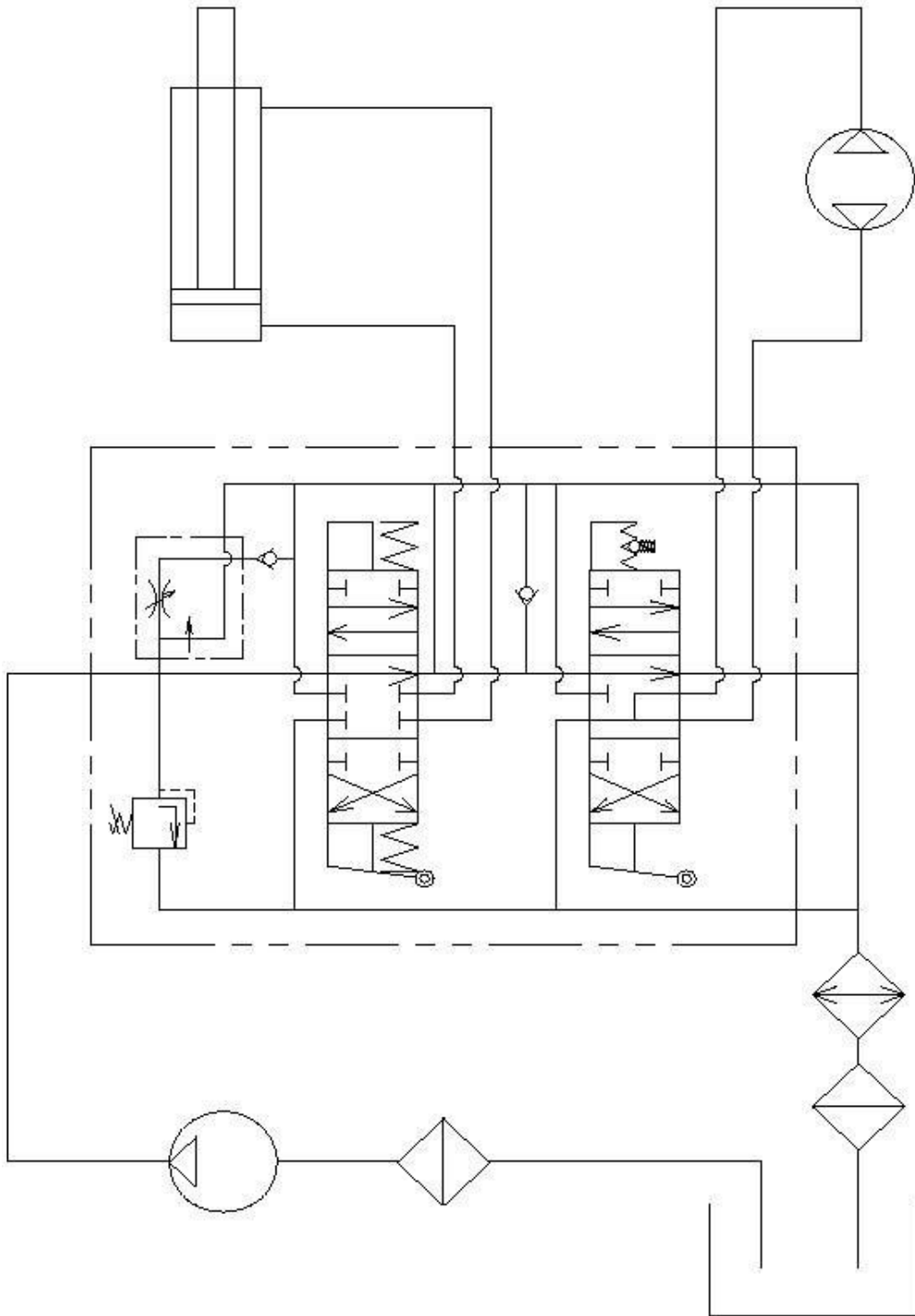
OPTIONS



Ref	Part #	Description	12SH	S12SH	S16SH
1	226240	Bolt, HexHd, 3/8 x 1-3/4 (TOCD038134)	4	4	4
2	174986	Washer, Plain 3/8 (RNRX038GAL)	8	8	8
3	227830	Nut, Hex, Lock, 3/8 (TCCS038GAL)	4	4	4
4	202020	Eng. Hon, 13Hp, GX390K1QA6	1	1	1
5	412856	Coupler, L100 x 1" Dia.	1	1	1
4	219991	Motor, 5 Hp, 1-115/230, Ext Shaft	1	1	*
5	412859	Coupler, L100 x 1.125" Dia.	1	1	*
4	219993	Motor, 7.5 Hp, 3-575, Ext Shaft, 1" C Fl	1	1	1
5	412871	Coupler, L100 x 1.375" Dia.	1	1	1
4	219999	Motor, 7.5 Hp, 1-115/230, 1" C Flg	1	1	1
5	412871	Coupler, L100 x 1.375" Dia.	1	1	1
4	220000	Motor, 7.5 Hp, 3-239/460, Ext Shaft	1	1	1
5	412871	Coupler, L100 x 1.375" Dia.	1	1	1
6	412853	Coupler, L100 x 5/8" Dia. Elec Motor	1	1	1
	702007	Coupler, L100 x 3/4" Dia. Gas Engine	1	1	1
7	412854	Insert, L099-100U Blue	1	1	1
8	226210	Bolt, HexHd, 3/8 x 1 (TOCD038100)	4	4	4

*When ordering parts please always specify the model and serial number of the mixers as a reference.

HYDRAULIC SCHEMATIC



*When ordering parts please always specify the model and serial number of the mixers as a reference.

HYDRAULIC HOSES & FITTINGS

Part	Description	Qty	Location
412858	Detent Kit	1	Valve
412903	Hose, 3/4 x 16" #10 JIC ~ #10 JIC	1	Reservoir To Pump Btm
412904	Hose, 1/2 x 18" #10 JIC ~ #10 JIC	1	Valve To Pump - Side
412905	Hose, 3/8 x 72" #6 JIC ~ #6 JIC	2	Valve To Cylinder
412906	Hose, 1/2 x 24" #10 JIC ~ #10 JIC	2	Valve To Motor
412907	Hose, 1/2 x 18" #8 JIC ~ #8 JIC	2	Cooler To Valve & Filter
412909	Adapter, 90° #4 NPT ~ #6 JIC	2	Cylinder Valve
412910	Adapter, #8 ORB ~ #10 JIC	2	Valve
412911	Adapter, #12 ORB ~ #8 JIC	1	Valve
412912	Adapter, 45° #8 NPT ~ #8 JIC	1	Filter
412913	Adapter, 45° #8 NPT ~ #10 JIC	1	Reservoir ~ Btm
412916	Adapter, #8 ORB ~ #6 JIC	2	Valve
412917	Adapter, Plug #10	1	Valve
412918	Adapter, Plug #8	1	Valve
412919	Adapter, 90° #8 JIC Fern ~ #8 JIC Male	2	Filter
412922	Adapter, 45° #10 ORB ~ #10 JIC	2	Hyd. Motor (pdl/spri shft)
412925	Adapter, Hyd #8 ORB ~ #8 JIC	1	Valve
412932	Ftg, Plug, #8 NPT	2	Reservoir
485104	Adapter, 90° #10 JIC Fern ~ #10 JIC Male	1	Valve
485115	Screen, Sucton - 100 Mesh 1" NPT	1	Reservoir

*When ordering parts please always specify the model and serial number of the mixers as a reference.



P.O. Box 73 Station L
Winnipeg MB, Canada
R3H 0Z4

354 SAULTEAUX, CR
Winnipeg MB, Canada
R3J 3T2

Phone (877) 403 1220

Phone (204) 831 8468

Fax (204) 831 8590

www.crownequip.com

*When ordering parts please always specify the model and serial number of the mixers as a reference.