

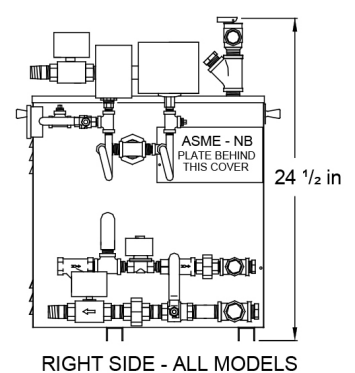
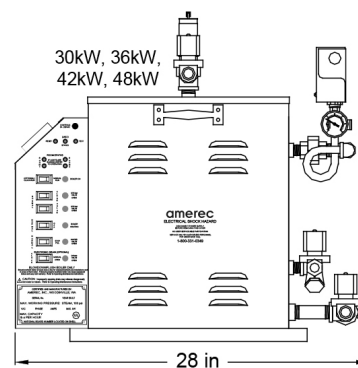
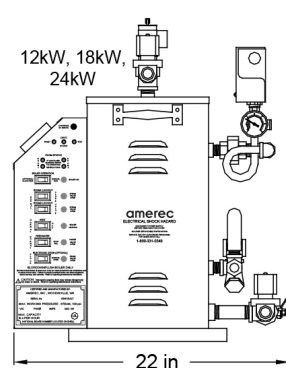
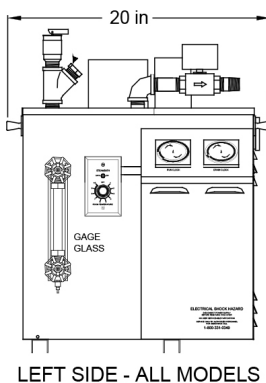
# AI SERIES COMMERCIAL BOILER

## SPECIFICATION SHEET

Ideal for large steam rooms, the Amerec AI Series is designed for user enjoyment, ease of operation and long life. The AI boilers are engineered for easy on-site maintenance and hands-off, automated operation. Amerec engineering and technology incorporates several unique features, making the AI Series the ideal choice for large commercial steam rooms.

### AI Series Boiler Features

- UL Listed, cUL Listed, tested to UL834.
- ASME H-Stamped Low-Pressure Vessel, National Board registered.
- Multiple safety features, including:
  - Sight Glass
  - Three-level water sensing system with integral LWCO (low water cutoff)
  - Control system per CSD-1
- Low Water Cut-Off (LWCO) with manual reset prevents heating should the water level drop below safe levels.
- Room “over-temperature shut down” turns boiler elements off and blinks indicators to show alarm.
- All steel construction with powder coat finish and stainless steel feet to prevent corrosion.
- Designed for easy serviceability: indicator lights with integral diagnostics, simple service access and control.
- One steam valve for single room operation.
- Two-room operation with each room controlled individually. Requires 2-room thermostatic control kit.
- CoolFlush™ Auto Drain option performs recommended daily draining and flushing to reduce sludge and scale build up:
  - Anti-vacuum drain system reduces gurgling noises and slow draining.
  - Drain clock allows system to start at desired time of day, whether the generator is on or off.
  - Cools water in tank to 140 F or less to prevent damage to plumbing drain system.
- Optional 24-hour and 24-hour / 7-day integral run and drain clocks.
- Optional “Refresh” control provides short bursts of steam on demand with a simple push button switch in side the steam room. Provides a 15 to 20 second burst of steam even if the room is at set temperature and does not call for steam.



Model	UL-Model #	Watts	Volts	Phase	Amps	Max. Room Size cu ft (cu M)	Steam Output lb/hr (kg/hr)
<b>AI-12</b>	12-208	12000	208	1	59	550 (14,2)	36 (16,3)
	12-240		240	1	51		
	12-208		208	3	34		
	12-240		240	3	30		
	12-415		415	3	18		
	12-480		480	3	15		
<b>AI-18</b>	18-208	18000	208	1	88	900 (25,5)	54 (24,5)
	18-240		240	1	76		
	18-208		208	3	51		
	18-240		240	3	44		
	18-415		415	3	27		
	18-480		480	3	22		
<b>AI-24</b>	24-208	24000	208	1	116	1200 (34,0)	73 (33,1)
	24-240		240	1	101		
	24-208		208	3	68		
	24-240		240	3	59		
	24-415		415	3	36		
	24-480		480	3	29		
<b>AI-30</b>	30-208	30000	208	3	85	1500 (42,5)	91 (41,3)
	30-240		240	3	73		
	30-415		415	3	44		
	30-480		480	3	36		
<b>AI-36</b>	36-208	36000	208	3	101	1800 (50,0)	109 (49,4f)
	36-240		240	3	88		
	36-415		415	3	53		
	36-480		480	3	43		
<b>AI-42</b>	42-208	42000	208	3	118	2100 (59,5)	127 (57,6)
	42-240		240	3	102		
	42-415		415	3	62		
	42-480		480	3	51		
<b>AI-48</b>	48-240	48000	240	3	117	2400 (68,0)	145 (65,8)
	48-415		415	3	70		
	48-480		480	3	58		

**Notes:**

- All models: no internal heating circuit fuses are needed
- All models use 120VAC 50/60Hz control circuits except 415V models use 240V 50/60Hz control circuits.
- 208V and 240V models supply their 120V control circuit voltage internally. A 14AWG Neutral is required.
- 480V models require a separate 15A 120V+N service for the control circuit.
- 415V-N models supply their 240V control circuit voltage and neutral internally.
- Use only copper wire, rated 75°C or better.
- Install all wiring per local codes.

**AI Series Boiler Controls and Options**

MODEL	DESCRIPTION
<b>IT1</b>	Thermostat for 1 room installation. Required for all models.
<b>IT2</b>	Second Thermostat for 2 room installations.
<b>ADI</b>	CoolFlush™ autodrain and flush system
<b>ADI-D</b>	CoolFlush™ autodrain and flush system with Digital Clock.
<b>IDS</b>	In room "Refresh" control for a quick burst of steam on demand.
<b>I60</b>	60-minute timer to control steam in rooms with intermittent use.
<b>I24/7</b>	7-Day Timer with 2-hour on/off segments.
<b>I24/1</b>	24-Hour Timer with 30-minute on/off segments.
<b>D24/7</b>	7-Day Digital Timer.
<b>ASX-200</b>	Dual cartridge Scale-X filter system.

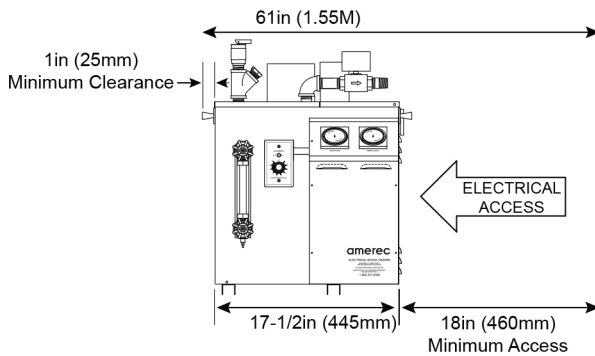
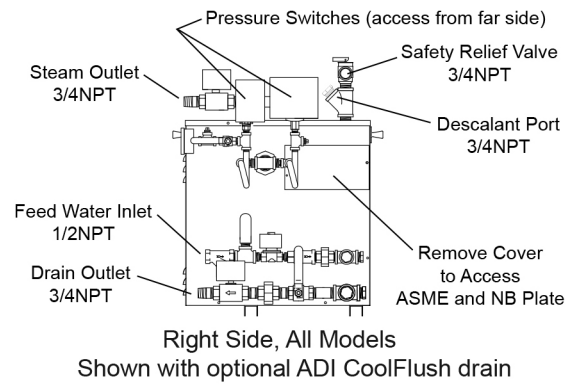
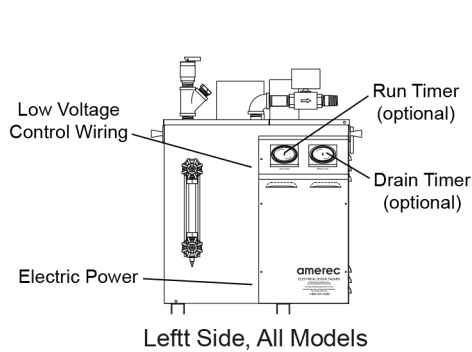
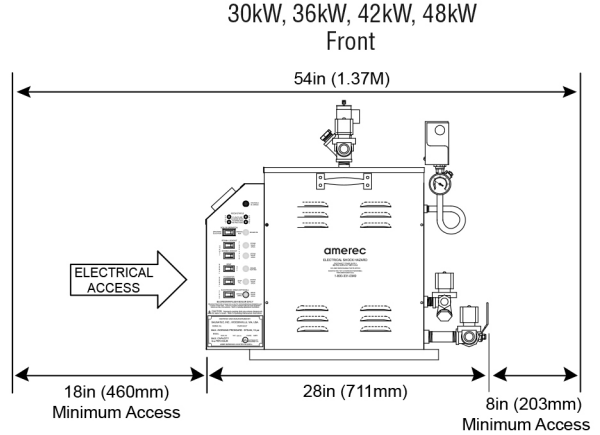
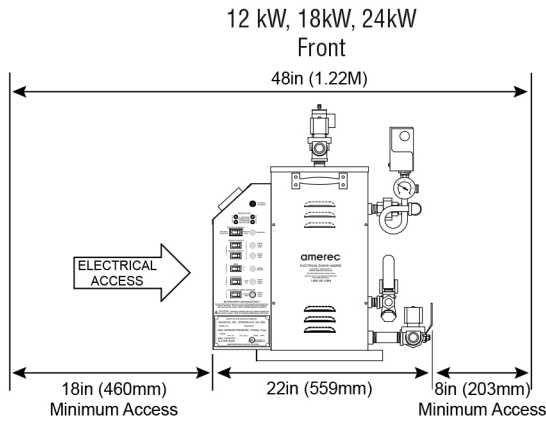
AMEREC  
 525 E Cokato Street | Cokato, MN 55321  
 Toll-Free 1-800-331-0349  
 amerec@amerec.com | www.amerec.com

Amerec reserves the right to change specifications and design without notice.  
 © 2021 Amerec Steam

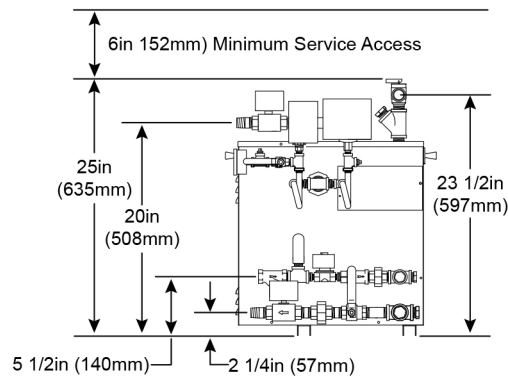


# AI SERIES COMMERCIAL BOILER

## SPECIFICATION SHEET



Left Side, All Models  
Shown with optional Boiler Mounted Thermostat



Right Side, All Models  
Shown with optional ADI CoolFlush drain



**SEE COMPLETE INSTALLATION INSTRUCTION FOR WARNINGS!**

AMEREC  
525 E Cokato Street | Cokato, MN 55321  
Toll-Free 1-800-331-0349  
amerec@amerec.com | www.amerec.com

Amerec reserves the right to change specifications and design without notice.  
© 2021 Amerec Steam

**amerec**<sup>®</sup>

STEAM. SAUNA. SOLUTIONS.