



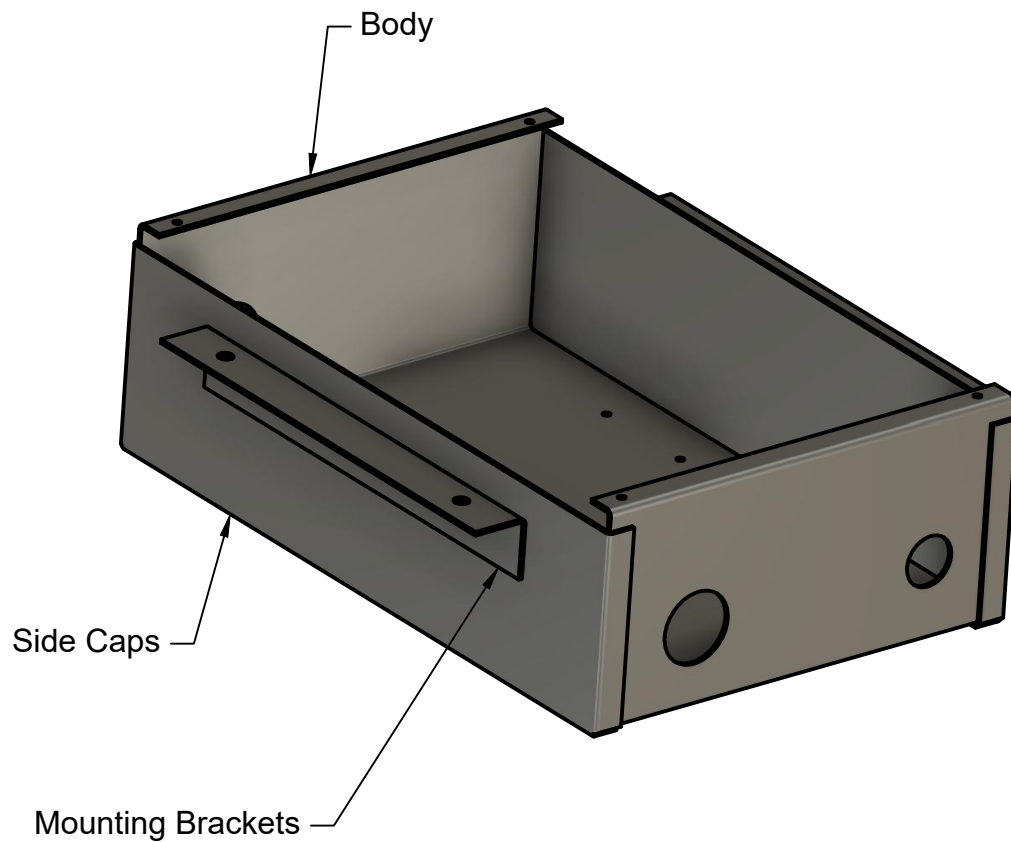
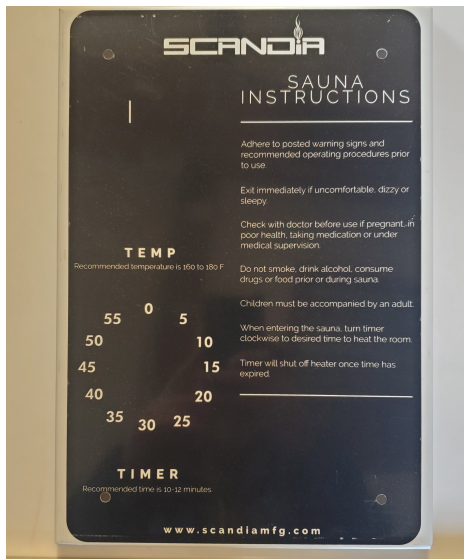
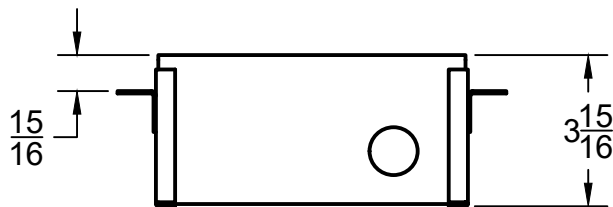
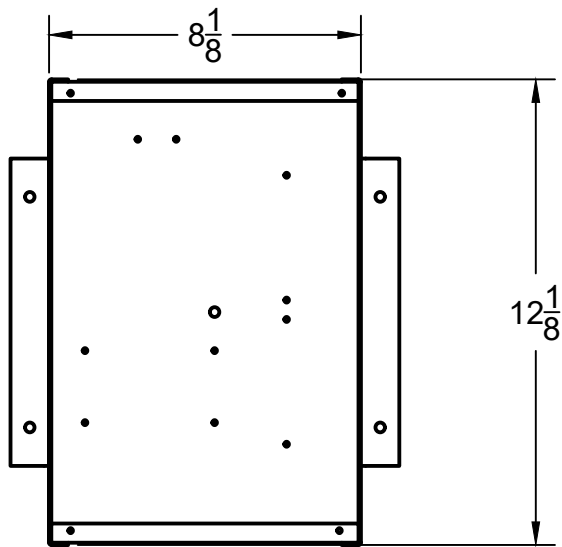
## THE BEST BRANDS, THE BEST PRODUCTS

Your one stop shop for all sauna and steam needs.

---

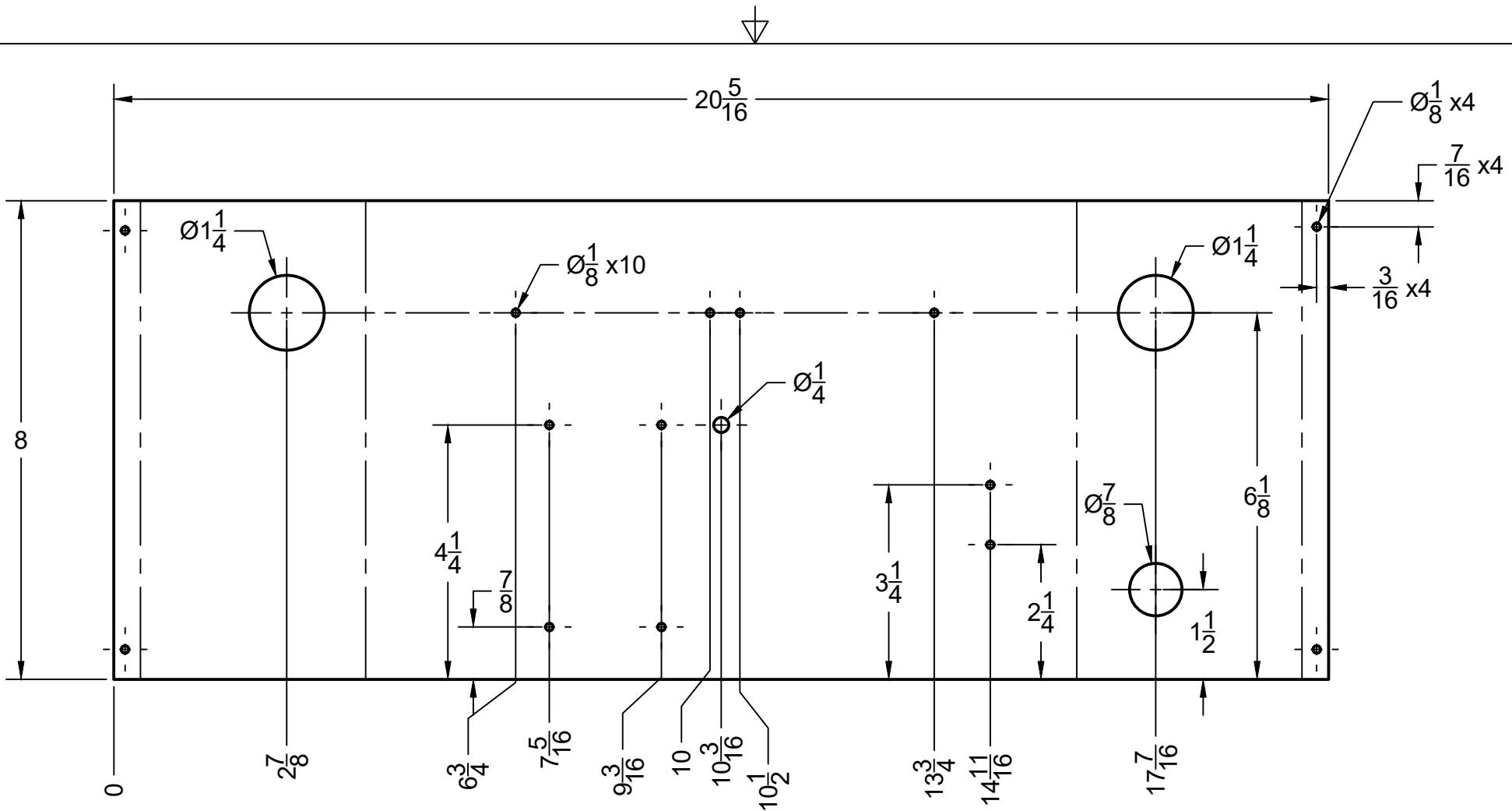
2021

saunas.com  
(888) 503-8157  
info@saunas.com  
6700 N Linder # 152-180  
Meridian, Idaho 83646

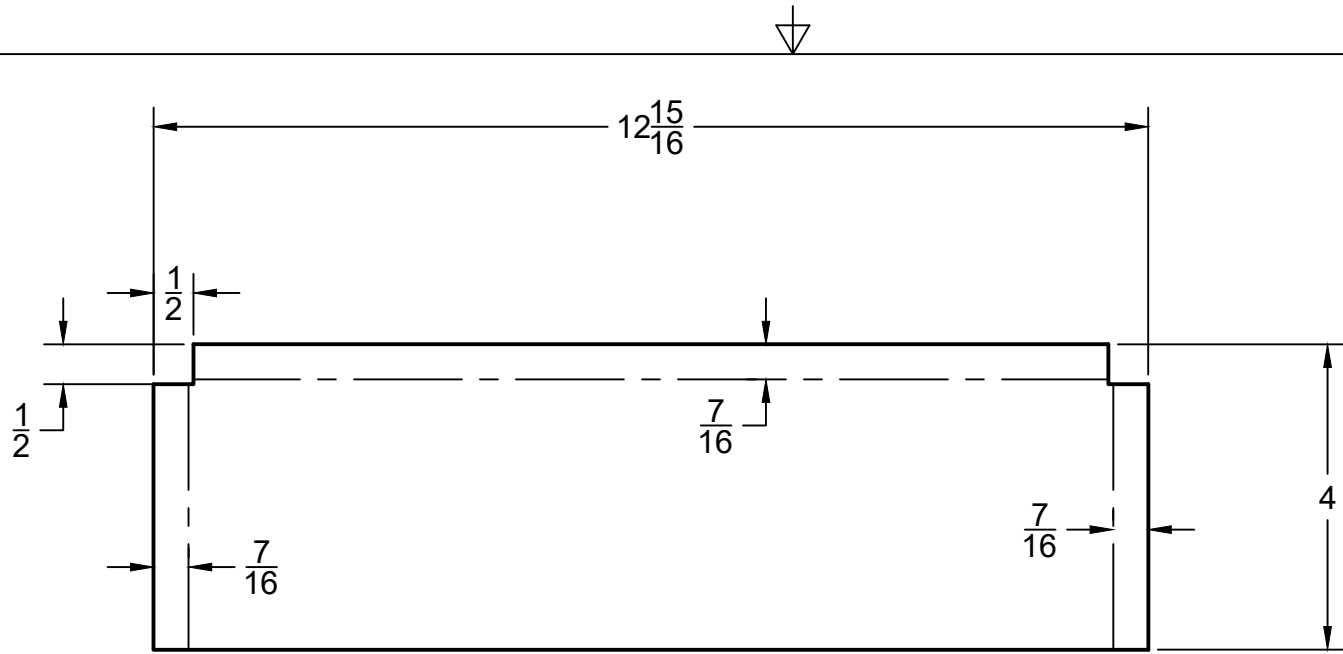


## All A and B Control Boxes

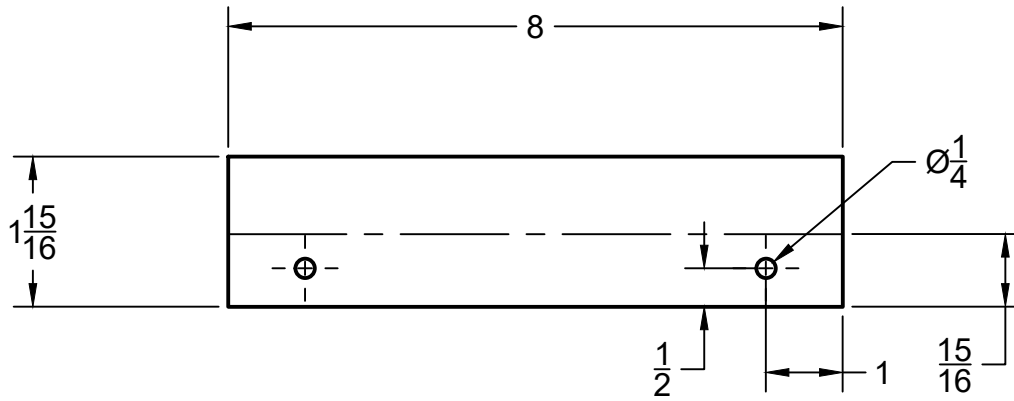
Units: Inches Fractional and Decimal Tolerances : - $\frac{1}{16}$ "	<b>Medium Control Box</b>		
	7/29/2020	Scandia Manufacturing	REV
	1:3	DRAWN by William Buchanan	SHEET 1/4



Units: Inches Fractional and Decimal Tolerances : - $\frac{1}{16}$ "	<b>Medium Control Box, Body</b>		
	7/29/2020	Scandia Manufacturing	REV
	1:2.5	DRAWN by William Buchanan	SHEET 2/4



Units: Inches Fractional and Decimal Tolerances : - $\frac{1}{16}$ "	<b>Medium Control Box, Side Caps</b>		
	7/29/2020	Scandia Manufacturing	REV
	1:2	DRAWN by William Buchanan	SHEET 3/4



Units: Inches Fractional and Decimal Tolerances : - $\frac{1}{16}$ "	Medium Control Box, Mounting Brackets		
	7/29/2020	Scandia Manufacturing	REV
	1:2.5	DRAWN by William Buchanan	SHEET 4/4