



## THE BEST BRANDS, THE BEST PRODUCTS

Your one stop shop for all sauna and steam needs.

---

2021

saunas.com  
(888) 503-8157  
info@saunas.com  
6700 N Linder # 152-180  
Meridian, Idaho 83646



# Assembly & Installation Instructions

**CAUTION:** Read instructions carefully and turn electricity off at main circuit breaker panel before beginning installation.

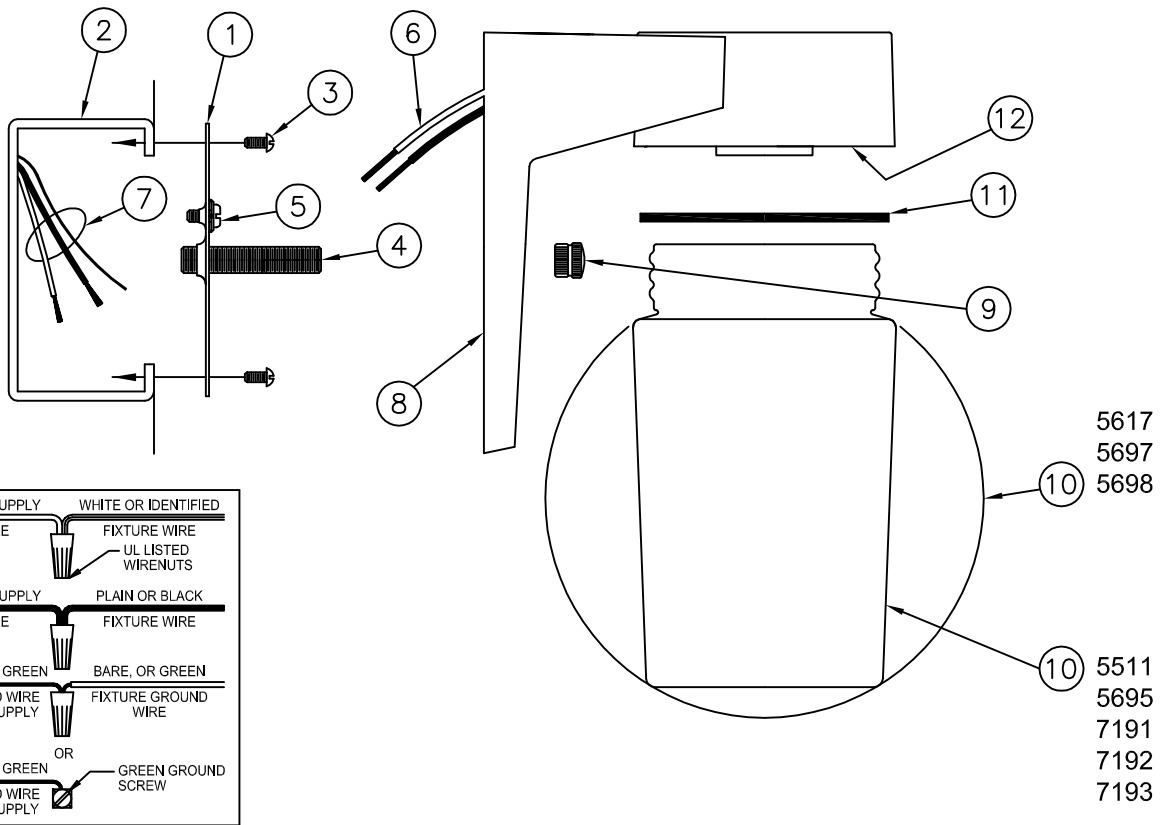
## 5511,5617,5695,5697,5698,7191,7192,7193

**WARNING** - If any Special Control Devices are used with this Fixture, Follow the Instructions Carefully to assure full compliance with N.E.C. requirements. If there are any questions, contact a Qualified Electrical Contractor.

**WARNING** - To comply with the National Electric Code and Underwriters Laboratories requirements, the edge of the wall plate coming in contact with the mounting surface must be sealed with a latex waterproof caulking to prevent water from entering the outlet box.

**CAUTION** - All glass is fragile, use care when handling Glass Shade and lamps.

**WARNING** - This product contains chemicals known to the State of California to cause cancer, birth defects and /or other reproductive harm. Thoroughly wash hands after installing, handling, cleaning, or otherwise touching this product.



1. Fasten Mounting Strap (1) to Outlet Box (2) with Mounting Screws (3) (NOT FURNISHED) from Outlet Box (2). Thread Nipple (4) and Green Ground Screw (5) into Mounting Strap (1).
2. Connect Fixture Wires (6) to Supply Wires (7) as shown in Wiring Diagram.
3. Slip Wall Plate (8) over Nipple (4) and secure in place with Capnut (9).
4. Install Lamp (NOT FURNISHED).
5. Place Gasket (11) over neck of Glass (10).
6. Thread Glass (10) into Holder (12).