



THE BEST BRANDS, THE BEST PRODUCTS

Your one stop shop for all sauna and steam needs.

2021

saunas.com
(888) 503-8157
info@saunas.com
6700 N Linder # 152-180
Meridian, Idaho 83646



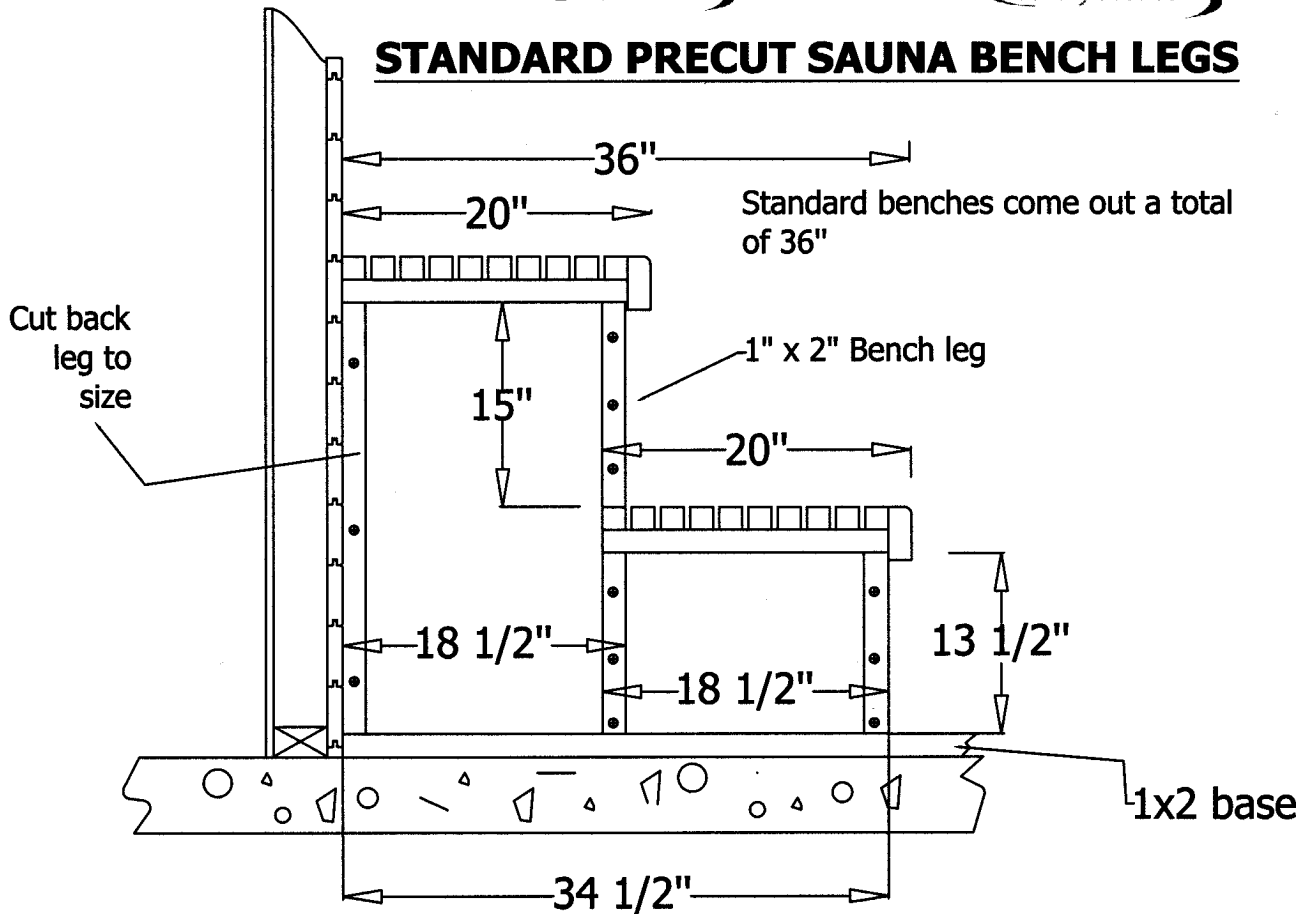
AP/CP PRECUT SAUNA ROOM BUILDING INSTRUCTIONS

In preparation for your package, you have insulated the walls and ceiling (between studs) with 3 1/2" Owens Corning Fiberglas with foil back and applied Reynolds Type C Construction foil on walls and ceiling (stapled over studs):

1. Boards are cut to size for walls and ceiling.
2. Precut ceiling boards have a single dot (colored) at ends, indicating that ceiling should be installed first.
3. Dots at ends of wall boards indicate which wall should be paneled first, etc. Back wall has two dots (should go next after ceiling), right wall has three dots, left wall has four dots, and front wall is marked with right or left.
4. Sort wall boards for appearance, use best boards above bench level; others below bench level.
5. As you start first board (no. 1 back board) raise it 3/4" from floor and level it. Blind nail it to wall through tongue of board with 5p hot dipped, galvanized nails provided. Then take one board from right wall (3 dots) and raise it from floor so that V-joint is even with back wall board V-joint. Level it and place chisel or bar between front wall & right wall board which you are installing and apply pressure toward back wall so that it will fit tightly to back wall.
6. Follow same steps (as above) for left hand wall boards (four dots).
7. After nailing each starter board for one complete layer around room, follow same steps layer by layer continuing to use chisel for tight fit, until reaching the last board. Rip each of the last boards for tight fit to ceiling.
8. After paneling room, install crown ceiling molding (ceiling) 3/4" x 3/4" (which you will cut to size). Ceiling moldings are 3/4" x 3/4" and should be glued and nailed; base is 1" x 2" and should be nailed only. Apply silicone caulking between base and your floor surface
9. Install benches as shown on drawings.
10. Install door. Seal entire door, inside & outside, (except for glass) with non-toxic clear sealer (eg. Thompson's Waterseal).
11. Install Sauna heater by referring to information in wiring diagram provided with heater. Fill with stones provided (hose stones with water to clean first). Pack stones loosely between elements and on top until elements are completely covered; You may not need them all.
12. Install guard rail around heater with wood screws provided (see sketch).
13. Install lower vent in lower area of room (most desirable location is below heater) 6" from floor.
14. Install upper vent in any area from below upper bench to within 6" from ceiling, DO NOT vent to air outside of building, only to adjacent spaces outside Sauna.
15. Hang thermometer 6" from ceiling, directly above Sauna heater, and hang bathing sign on exterior front wall. Warning signs should be placed above heater.
16. Now you are ready for electrical hookup. (This should be provided by a qualified electrician as per wiring instructions provided with heater.)

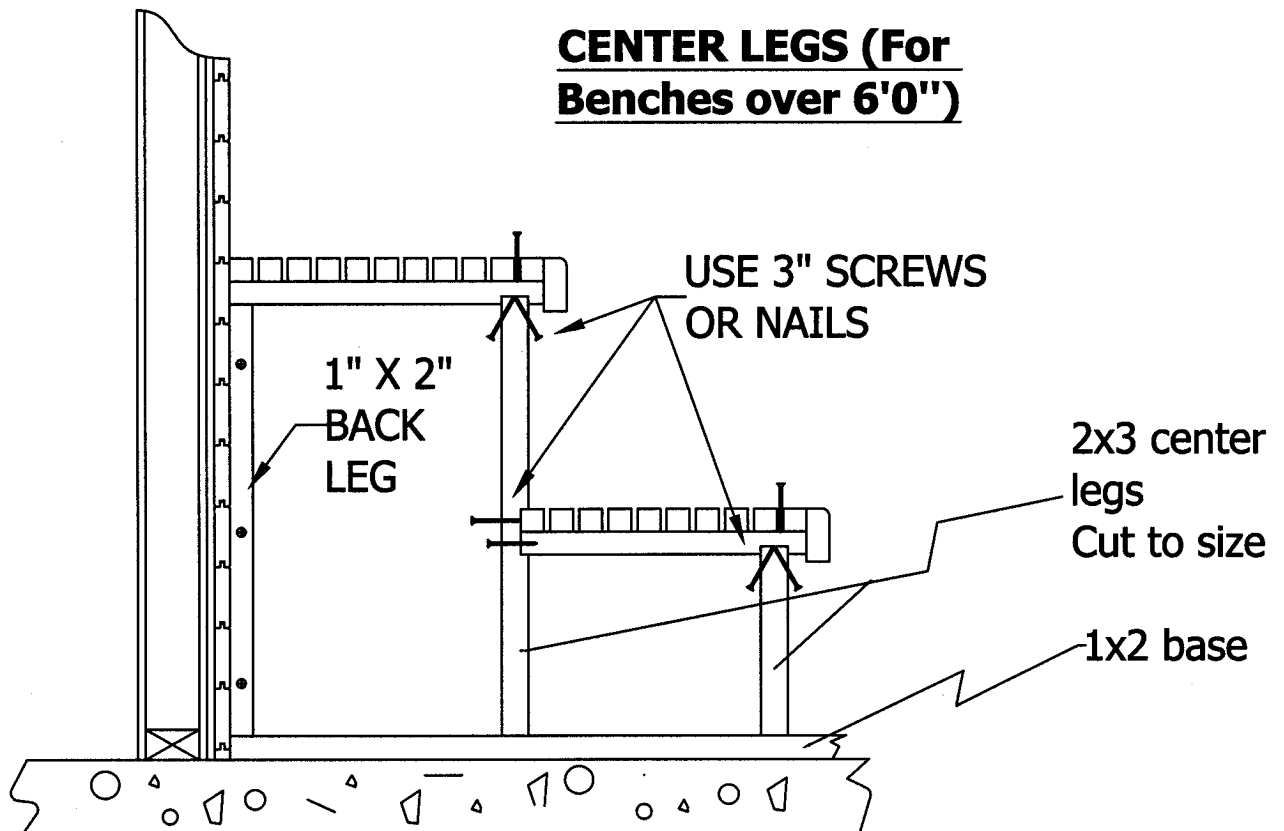
NOW YOU CAN ENJOY YOUR SAUNA!

STANDARD PRECUT SAUNA BENCH LEGS



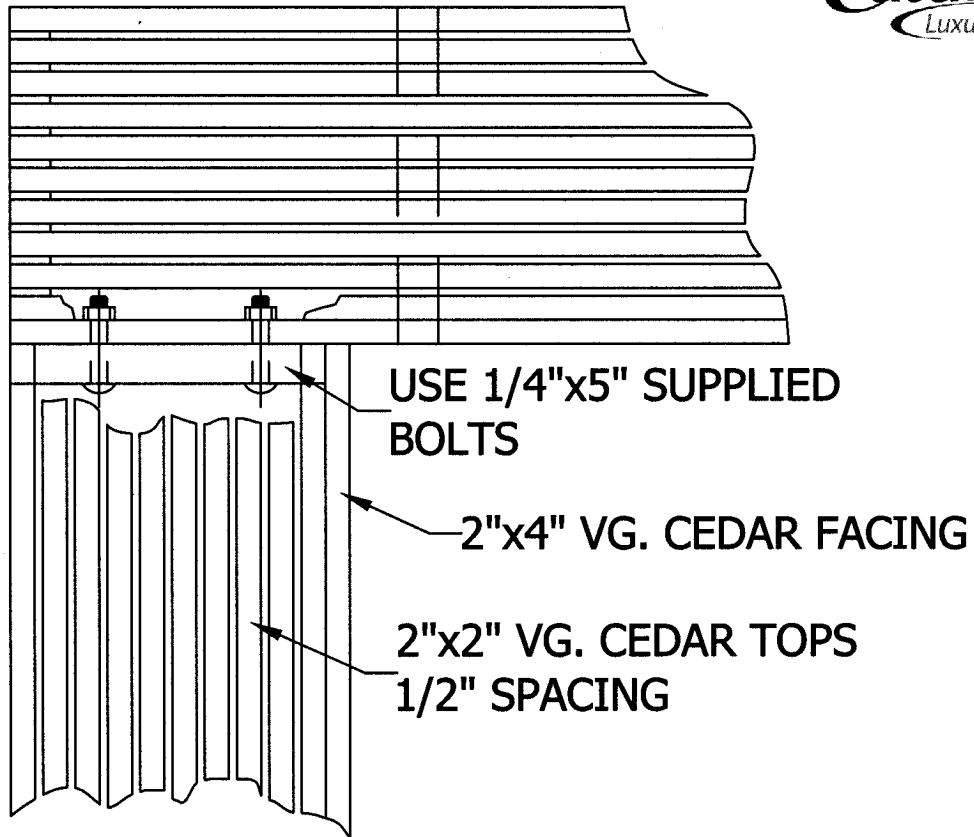
Top of lower bench is 18" high
 Top of upper bench is 36" high from floor
 (SIDE VIEW)

CENTER LEGS (For Benches over 6'0")



L BENCH CONNECTION

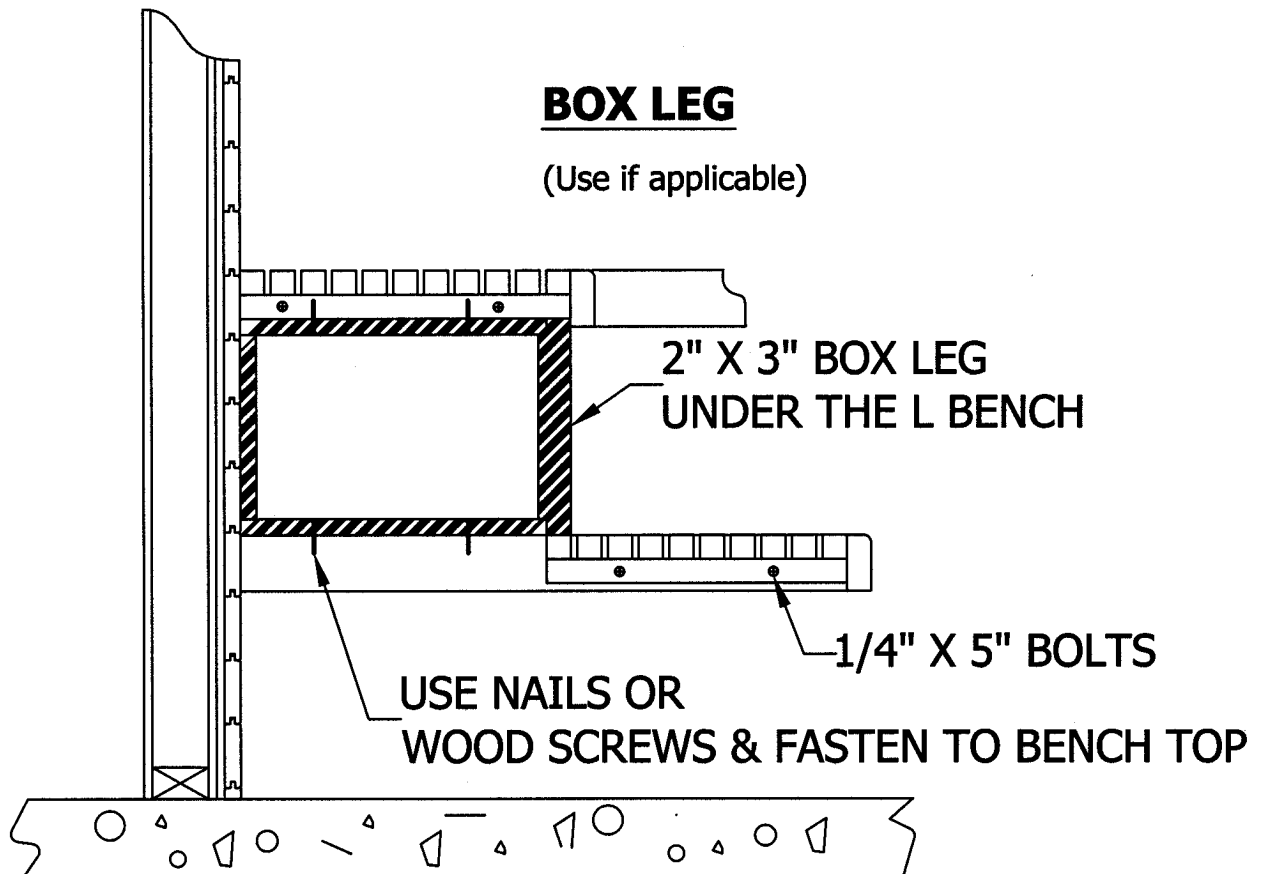
(Use if applicable)

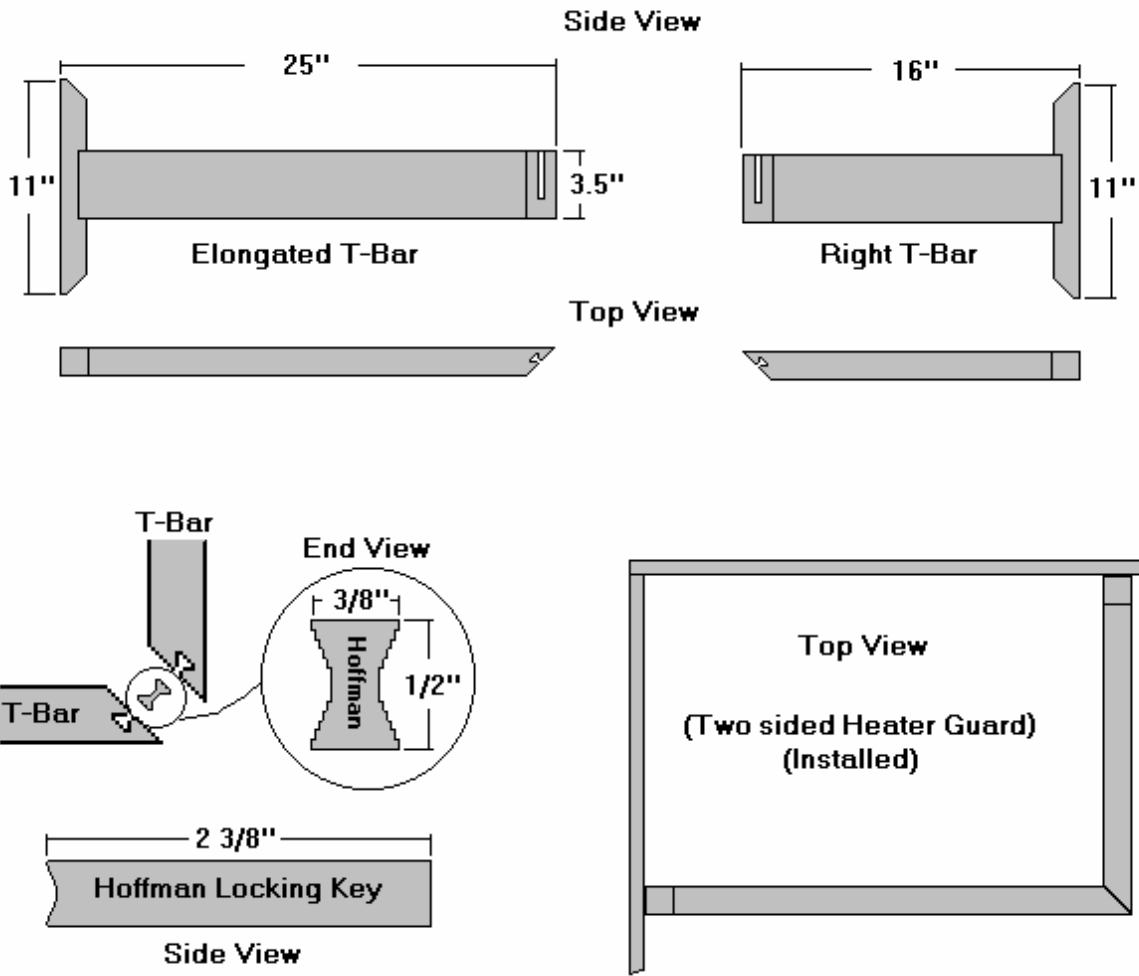


(Under side of benches shown)

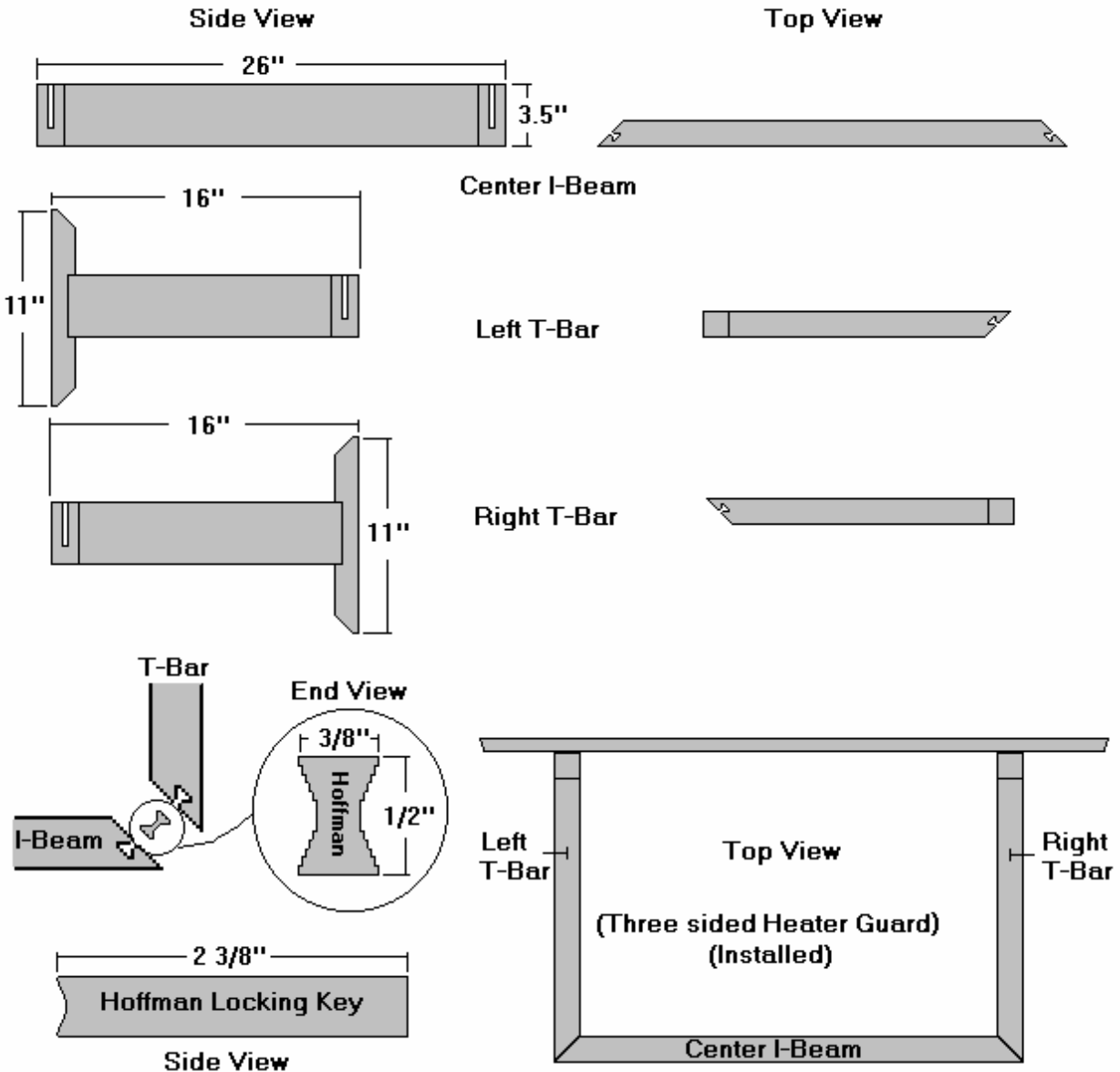
BOX LEG

(Use if applicable)





Instructions: Turn the two T-Bars upside down exposing the grooves cut into the bottom side of the guardrail. Place the two 45-degree angles together to form one 90-degree angle. Insert the "Hoffman" Locking Key into the grooves of the two pieces. Place the two pieces on a clean flat surface, using a hammer force the Locking Key into the two grooves until it is flush with the wood surface. Turn the guardrail over so that the Locking Keys face the floor. After the heater is mounted, install the guardrail flush with the top of the heater casing. Use the wood screws provided, then insert the wood screw caps in the hole (do not use glue).



Instructions: Turn the two T-Bars and Center I-Beam upside down exposing the grooves cut into the bottom side of the guardrail. Starting with the Center I-Beam and either the left or right T-Bar place the two 45-degree angles together to form one 90-degree angle. Insert the "Hoffman" Locking Key into the grooves of the two pieces. Place the two pieces on a clean flat surface, using a hammer force the Locking Key into the two grooves until it is flush with the wood surface. Repeat this step with the second T-Bar. Turn the guardrail over so that the Locking Keys face the floor. After the heater is mounted, install the guardrail flush with the top of the heater casing. Use the wood screws provided, then insert the wood screw caps in the hole (do not use glue).