



*The best brands, the best products.*

*Your one stop shop for all sauna and steam needs.*

## Our Contact Information



1-888-503-8157



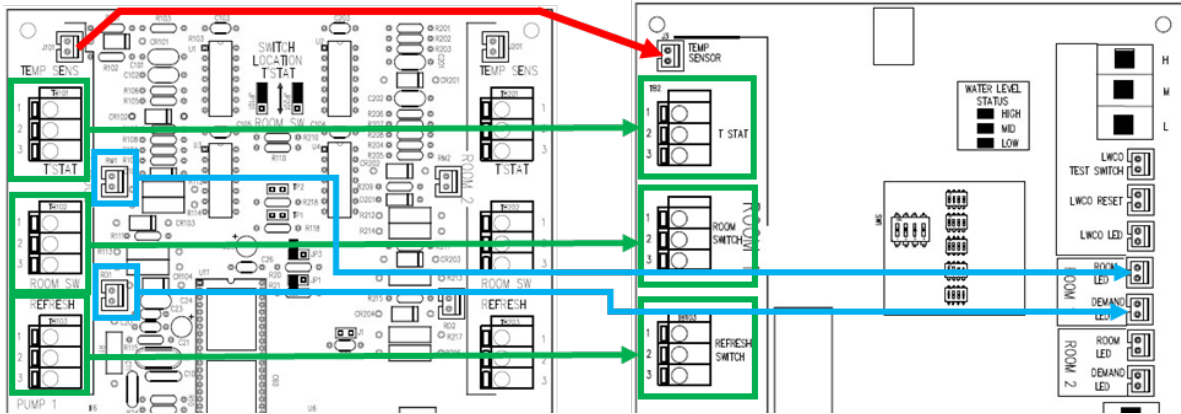
info@saunas.com

By providing superior service, providing a vast array of high-quality products, Saunas.com is the Internet's premier supplier of saunas, steam equipment, and accessories. We strive to make your visit at our website a fun and educational experience as well as a smooth purchase should you decide to honor us by buying a product. We hope you find a sauna to your liking, and many years of satisfying saunas in the future!

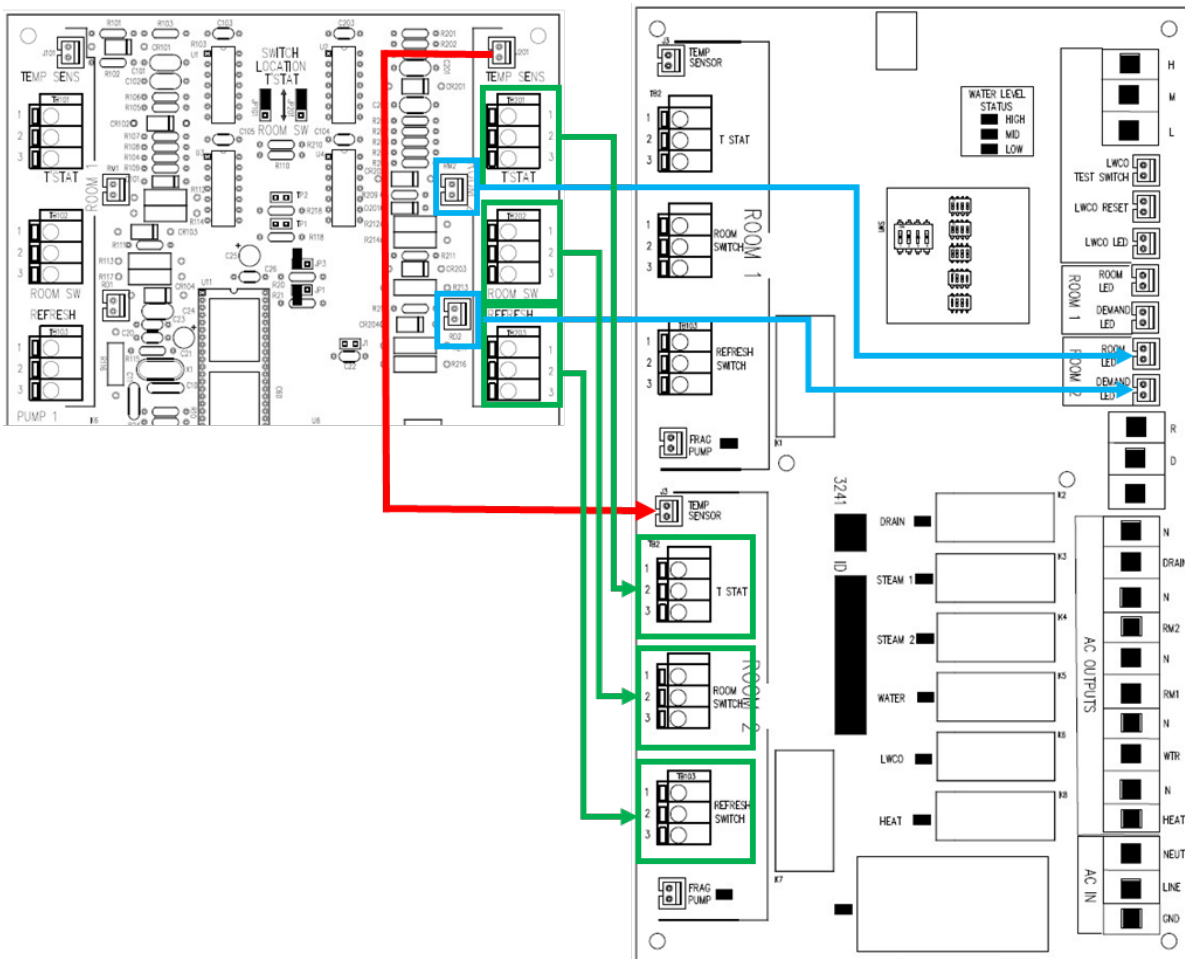
Please don't hesitate to call or email us with any questions you may have!

**Replacing the AI Boiler circuit board:** The latest boiler board has a new layout compared to older boards. Use these instructions when replacing older version circuit boards (pn 3241-01x to -04x) with the newer version (pn 3241-053).

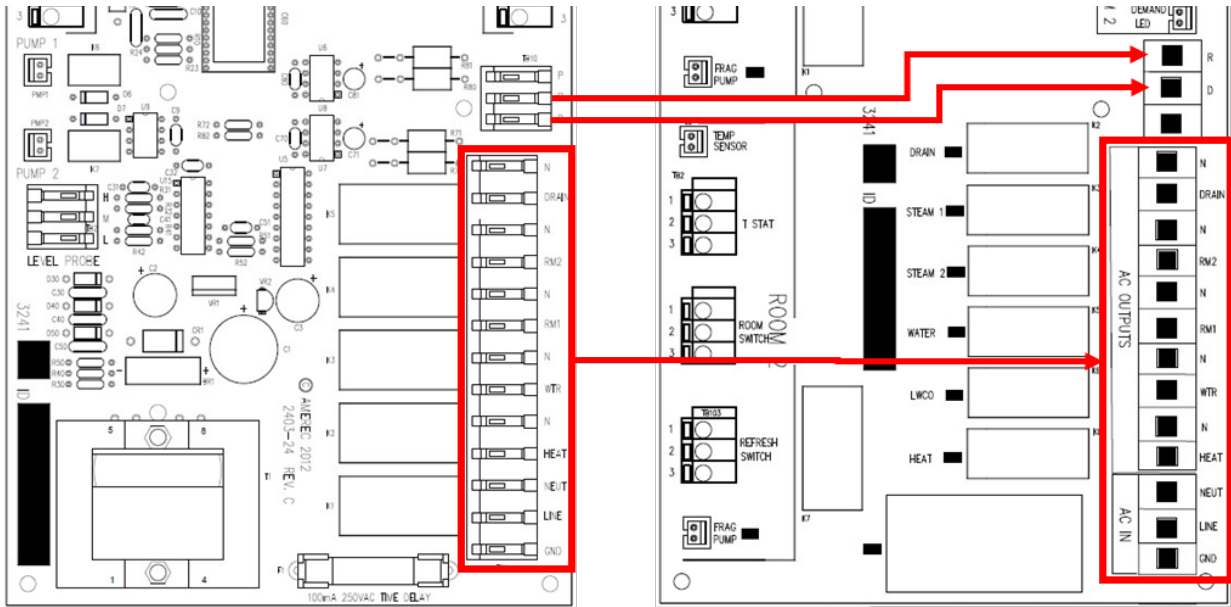
Move Room 1 control wires, room temperature sensor cable and room status LED cables as shown:



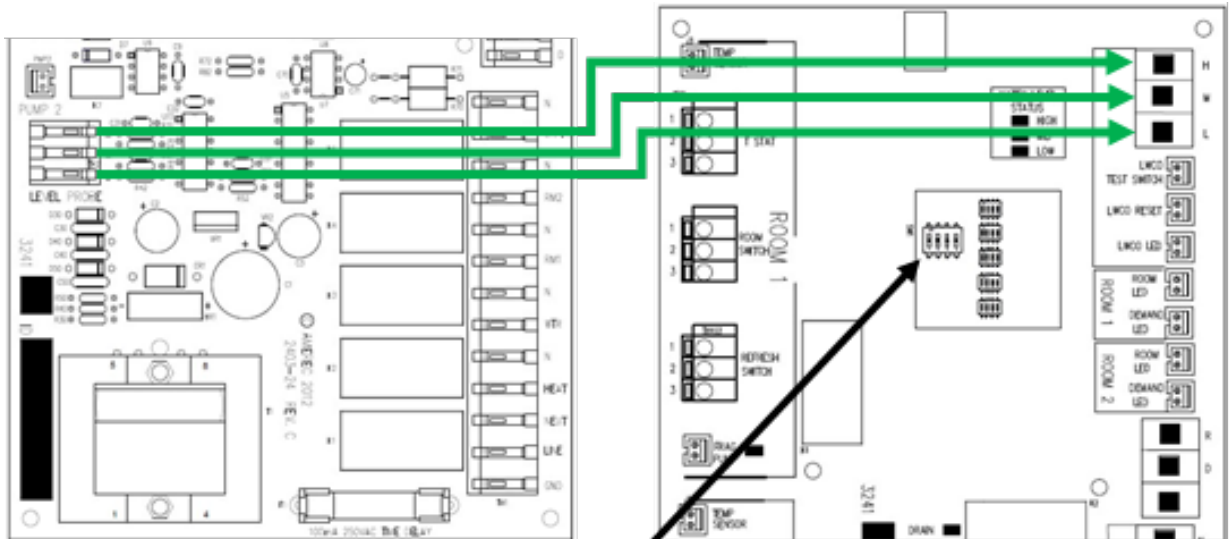
Move Room 2 control wires and room temperature sensor cable if installed. Move room status LED cables as shown:



Move power wires:



Move Level Probe Wires:



Set switches based on type of control installed

