

THE ADVANCED HYBRID STEAM ROOM EQUIPMENT

 saunas.com



 saunas

When ordering Steam Equipment from Amerrec, we have two options for steam equipment, either the AI Series Boiler or the AK series Generator. AI is for Commercial; AK is for Residential. **YOU CANNOT MIX AND MATCH PARTS FROM DIFFERENT SERIES.** We will also need two steam heads for each steam room no matter what we order. **ALL STEAM HEADS ARE CHROME FINISH.** The AI Series: $\frac{3}{4}$ " STEAM HEADS. AK series is $\frac{1}{2}$ " THESE ARE DIFFERENT.

AI SERIES BOILER

Every AI Series Boiler needs a thermostat and controller to function.

Thermostats Available for AI Series:

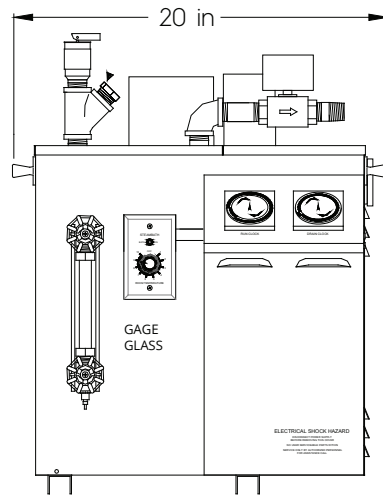
IT1-M (Part # 9226-301) - Boiler mounted thermostat for 1 room installation. For all models. Includes **thermostat control, sensor, cables and 2 ea. $\frac{3}{4}$ " Chrome steam heads.**

Important things to notice:

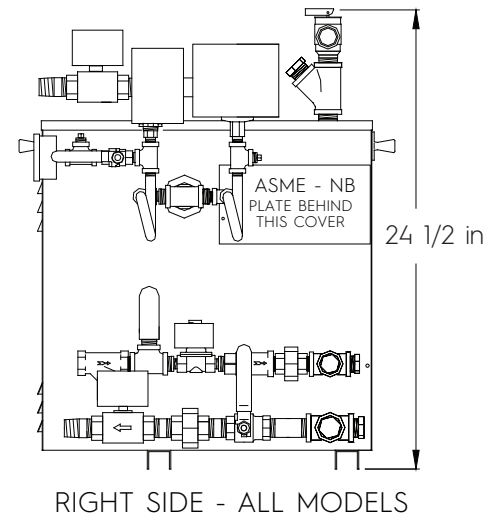
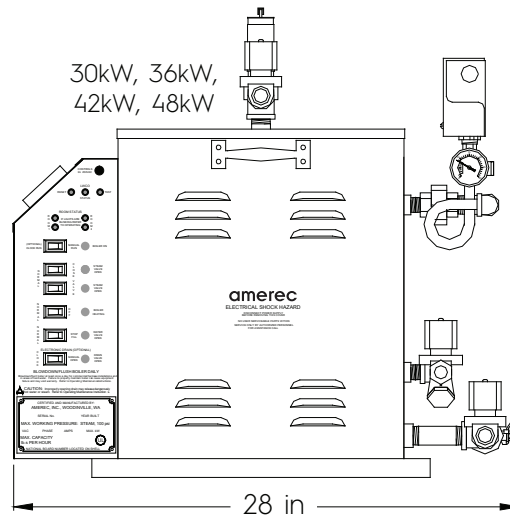
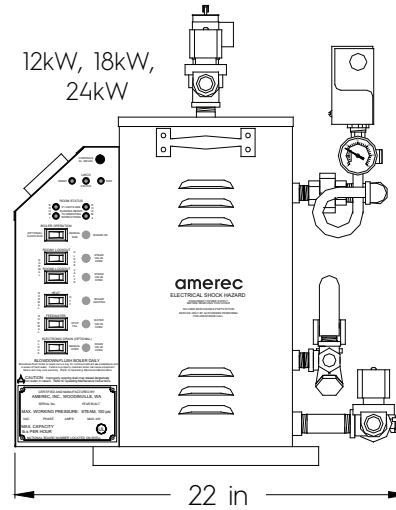
- This kit comes with 2 steam heads already.
- This is our standard and what we supply by default.
- $\frac{3}{4}$ " Chrome Steam Heads for the AI Boilers.
- This comes premounted on the Boiler.
- For 1 room installs only. If we are sending steam to two rooms with 1 boiler, which is common, we will need the IT2-M Model. Note the IT2-M has different models for different KW Boilers and comes with 4 steam heads.
- The IT1 is the same thing but not mounted to the boiler.



AI SERIES BOILER



LEFT SIDE - ALL MODELS



CONTROLS AVAILABLE FOR AI SERIES

I60 (Part # 9226-10) – 60 Minute timer.

Has 15/30/60 minute automatic bath timer to control steam flow in steam rooms with intermittent use. Bath run time is switch selectable.

Important things to notice:

- This is our standard and what we supply by default!
- You will need one of these for each room. If we are running two rooms off of one boiler, you will need to order 2 I60 Timers
- If you only have an I60 Timer, the boiler will be on (producing steam in the boiler itself) 24/7 and will send steam to the room when the button is pressed. This is not very efficient! That means the boiler is keeping the steam hot all night for no reason

D24/7 Timer (Part # 9226-19) – 24 Hour 7 Day Digital Run Clock.

This allows the user to program in times and days (Monday – Friday, 9am – 5pm) that they want the boiler to be on and running.

- If you just have a D24/7 Timer, the boiler will turn on at the programmed time and send steam to the room until the time to turn off. The room will be hot throughout the whole day.
- If you use a D24/7 Timer with an I60 Timer you can keep the boiler hot all day, only heat the rooms when the I60 button is pressed, and the boiler will turn itself off at night!
- The D24/7 Timer can be retrofitted to any existing boiler.



In-Room Refresh Switch (Part # 9226-05)

A button that can go outside or inside the room that will send a quick burst of steam to the room, regardless of the current temp.



Evaluate the best controls/Boiler combo for steam rooms with an AI-Series Boiler.

- If a club wants the steam room hot and running all day, get a d24/7 timer with an IDS button.
- If the club wants room to heat on demand, obtain a D24/7 timer with an I60 combo.
- If the club is limited on space in a mechanical room, they can run two rooms off of 1 boiler. Ensure the correct thermostat and control combos are done!
- Amerrec can help! They have an excellent customer service line. Feel free to call them with any questions! Phone number **800 - 363- 025**

ACCESSORIES AVAILABLE FOR AI SERIES:

Cool Flush Auto Drain System with Digital Run Clock (ADI-D Part # 9210-116)

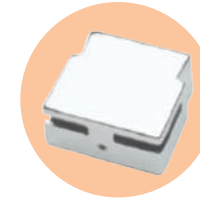
This system holds the water in the boiler tank until it cools down and automatically flushes it. This makes it, so you don't burn any plastic piping or drains.

- This is very common, and we usually supply this!
- This comes with a digital drain clock on the boiler that looks precisely like the D24/7 timer! Don't get them confused!



Chrome-Finished Steam Head 3/4" (CFSH-34)(Part #8816-31) Our steam heads for the AI Series Boilers.

- For the AK Series (Part #8812-31)(1/2" Steam Head



ASX200 Dual Cartridge Scale-x Filter System (part # 9209020) - Filter for the water.

This helps reduce mineral buildup inside the boiler and gives it a longer lifespan. **THIS IS VERY COMMONLY ORDERED.**



Aroma Pump (Part # 9223-229 for 1 room installs, Part # 9223-2291 for two room installs)

This device allows scented oils or fragrances to be injected into the steam as well to create a pleasant scented steam room. These include an IDS refresh button.



AK SERIES:

- Sequential Temperature Control delivers a more consistent flow of Soft Steam and a more stable, comfortable steam bath experience.
- 4 sizes handle a range of steam bath sizes up to 550 cubic feet.
- AK generators can be connected together to heat steam baths larger than 550 cubic feet.
- 240 and 208 volt models can be wired in the field for 1 or 3 phase power.
- Stainless steel tank and water level probes provide years of trouble-free operation.
- Removable heating elements provide easy and economical service.



CONTROLS AND THERMOSTAT COMBO: K60 Digital Control with Remote-Mounted Temperature Sensor (K60-CP, Part#9101-101)

- K60 3-button digital control with on/off, temperature, and time duration setting.
- Display alternates between ambient room temperature and time remaining.
- Features remote sensor and can be mounted inside or outside steam room.
- Control kit includes K60 control, sensor, cables, and ComfortFlo steam head.

IMPORTANT THINGS TO NOTICE! - THIS ONLY COMES WITH 1 STEAM HEAD; YOU WILL NEED TO ORDER AN ADDITIONAL STEAM HEAD PER ROOM! NOTICE WHAT SIZE YOU ARE ORDERING OF STEAM HEAD.

PART # FOR EXTRA STEAM HEAD IS 8812-31



ACCESSORIES: ADK Automatic Drain Valve for AK Series Generators

Model Description Item No. (PART # 9210-200)

ADK Automatic Drain Valve Kit for AK Series generators. Automatically drains and flushes tank after each steam bath. Order one (1) ADK drain for each generator when ordering ganged systems.

Stainless Steel Generator Drip Pan: Order one per generator. Model Description Item No. (PART # 9210-110) ADP Stainless Steel generator drip pan with threaded drain fitting



saunas

info@saunas.com

1-888-503-8157

saunas.com

