

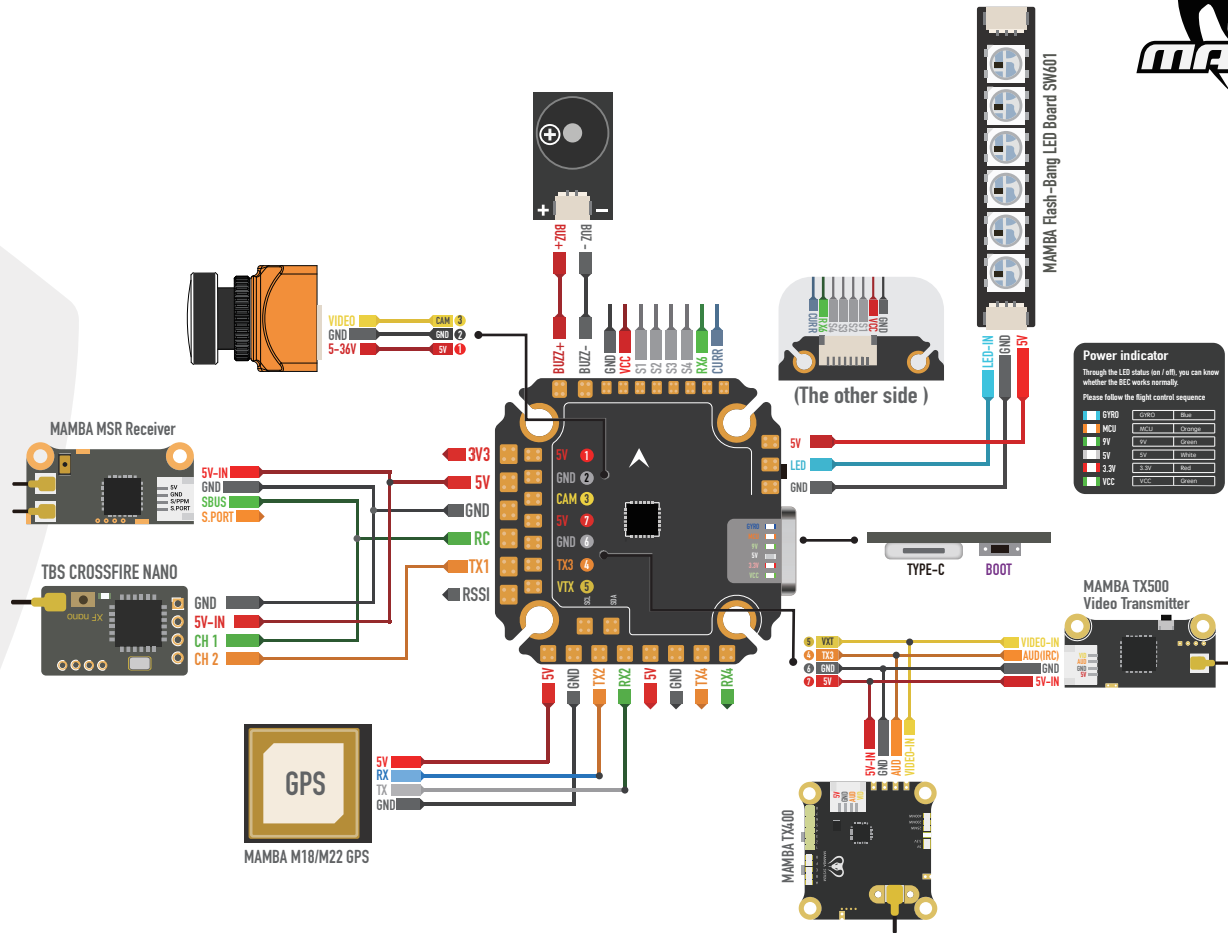
MAMBA STACK

FC :MAMBA Basic F405 MINI MK3.5
ESC:MAMBA F40_BLS MINI



Stack Specifications:

MCU	STM32F405RGT6
Frequency	168MHz
GYRO	MPU6000
OSD	AT7456E
Blackbox	16M Memory
Barometer	Yes
Uarts	5 Set
Receiver	TBS/SBUS/IBUS/DSM
I2C	Yes
RSSI Pad	Yes
F.Port	-
Buzzer Pad	Yes
CURR Pad	Yes
ESC Signal	4 Set
BEC 3.3V	0.5A
BEC 5V	2.5A
BF LED	Yes
Input	6S Lipo
TVS Protection	Yes
Soft Ware	Betaflight
Mounting	20×20mm/M2
Size	30×29.5×5.5mm
Weight	5.0g



Web: www.diatone.us

Target: MAMBAF405US_I2C

Main firmware STM32 F405

Config file MAMBAF405US_I2C

When Using Compass Magnetometer,

Following Command:

set mag_i2c_device = 1

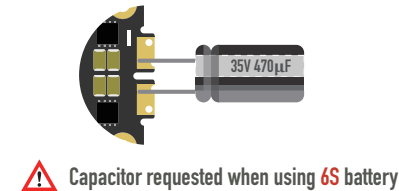
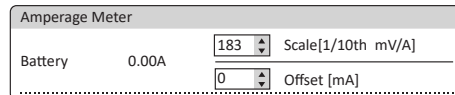
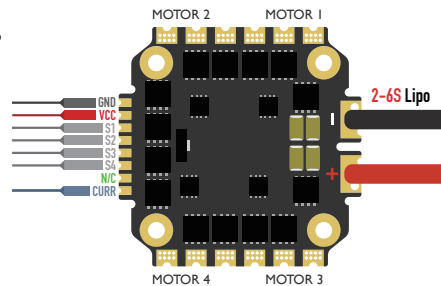
set mag_bustype = i2c

The Default Port:

- UART 1 Receiver
- UART 2 Vacancy
- UART 3 VTX
- UART 4 Vacancy
- UART 6 TELE



MAMBA F40_BLS MINI ESC



ESC

CURR	Yes
Output Current	40A
Peak Current	45A
Input	2-6S Lipo
BLheli-S	Yes
Target	CH40
Protocol	Dshot 300/600
Mounting	20×20mm, ∅ 2/3
Size	29×29×5.5mm
Weight	6.5g

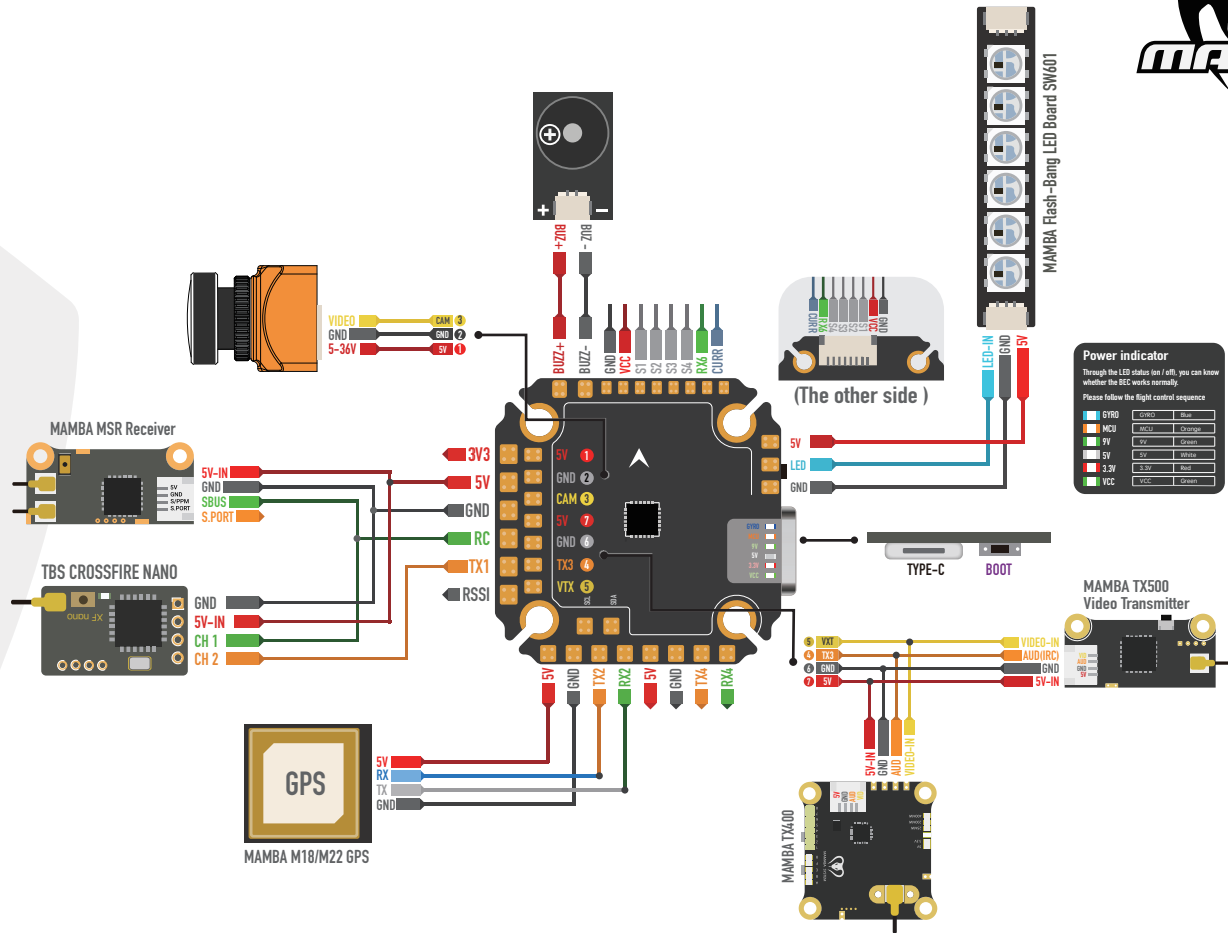
MAMBA STACK

FC :MAMBA Basic F405 MINI MK3.5
ESC:MAMBA F30 MINI



Stack Specifications:

MCU	STM32F405RGT6
Frequency	168MHz
GYRO	MPU6000
OSD	AT7456E
Blackbox	16M Memory
Barometer	Yes
Uarts	5 Set
Receiver	TBS/SBUS/IBUS/DSM
I2C	Yes
RSSI Pad	Yes
F.Port	-
Buzzer Pad	Yes
CURR Pad	Yes
ESC Signal	4 Set
BEC 3.3V	0.5A
BEC 5V	2.5A
BF LED	Yes
Input	6S Lipo
TVS Protection	Yes
Soft Ware	Betaflight
Mounting	20×20mm/M2
Size	30×29.5×5.5mm
Weight	5.0g



Power indicator

Through the LED status (on left), you can know whether the ESC works normally.

Please follow the light control sequence

Blue	GOOD	Blue
Orange	MCU	Orange
Green	V+	Green
White	5V	White
Red	3.3V	Red
Yellow	VCC	Yellow

Web: www.diatone.us

Target: MAMBAF405US_I2C

Main firmware STM32 F405

Config file MAMBAF405US_I2C

When Using Compass Magnetometer,

Following Command:

set mag_i2c_device = 1

set mag_bustype = i2c

The Default Port:

UART 1 Receiver

UART 2 Vacancy

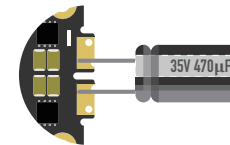
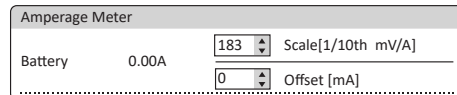
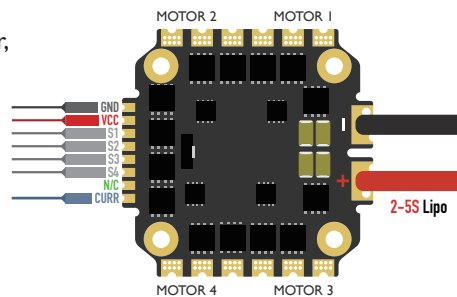
UART 3 VT×

UART 4 Vacancy

UART 6 TELE



MAMBA F30 Mini ESC



⚠ Capacitor requested when using 6S battery

ESC

CURR	Yes
Output Current	30A
Peak Current	40A
Input	2-5S Lipo
BLheli-S	Yes
Target	CH40
Protocol	Dshot 300/600
Mounting	20×20mm, ∅ 2/3
Size	29×29×5.5mm
Weight	6g