

DIATONE[®] ROMA F5 DJI v2 机架组装示意图

Roma F5 DJI v2 Frame Assemble Diagram

Roma F5 DJI v2 在原有基础上,优化了机臂根部的受力强度;机头的金属材质,从原来的7075合金升级到304不锈钢材质,表面抛光处理,带来更好的质感。金属件的固定螺丝,也从M2统一到M3尺寸;增加了DJI的双天线固定方式。新配色的全系列注塑保护件,提升颜值的同时,更适合入门玩家对产品的保护。GoPro可调角度座,提升用户的使用体验。紧凑型低重心设计,将会获得更好的手感及飞行性能。


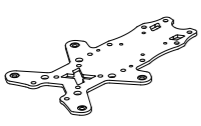
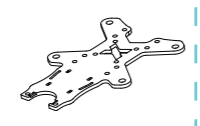
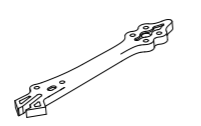
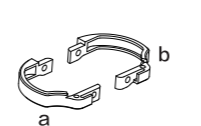
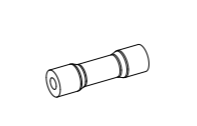
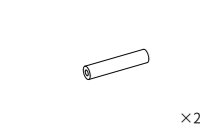
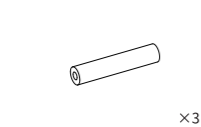

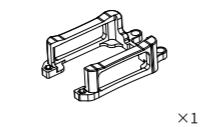
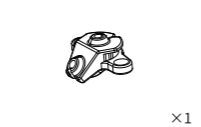
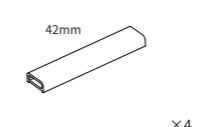
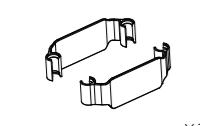
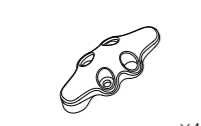

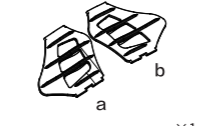
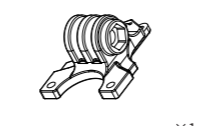
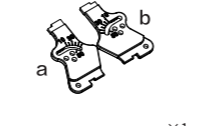

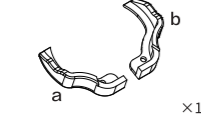


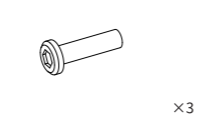
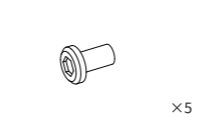
Diatone has introduced a number of changes to the newly optimized Roma F5 v2, including the stiffness and strength of the frame arms. We've also strengthened the metal parts at the front of the frame and upgrade the alloy material from 7075 to 304. For that extra high-end, tactile quality, we've treated the surface of the metal parts as well and changed the screws fixing the metal parts from M2 size to M3-sized specifications. For our digital HD fans, we haven't forgotten you! This time, we've added mounts for the twin DJI antennas. Roma F5 v2's injection-molded protection parts not only add a dash of color with our new color options but also offer better protection for your gear. The GoPro mount angle can be adjusted for faster changes on the fly. For the best flying experience, the v2 comes in a slammed configuration for stability.

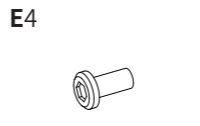
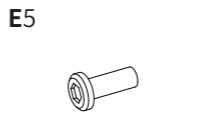
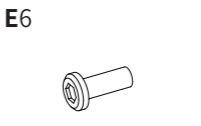

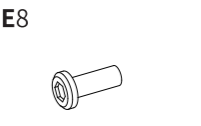
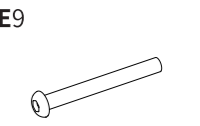
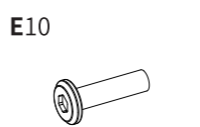
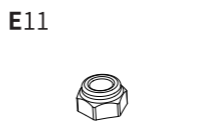

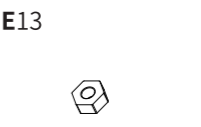
产品规格 Product Specifications

机架类型:H型	对角轴距:226mm	机架净重:140g(不含注塑件约13g)	上板厚度:2.5mm
中板厚度:2mm	底板厚度:2.5mm	机臂厚度:5mm	机臂宽度:10~14mm
卡簧孔径:Ø5.5mm	设备层高:23mm	支持最大桨叶:5.2inch	摄像头间距:20mm
推荐电池:4S~6S	电机安装孔距:16mm(M3)	推荐电机:22~23系列电机	飞控孔距:20*20mm(M2)/30.5*30.5mm(M3)

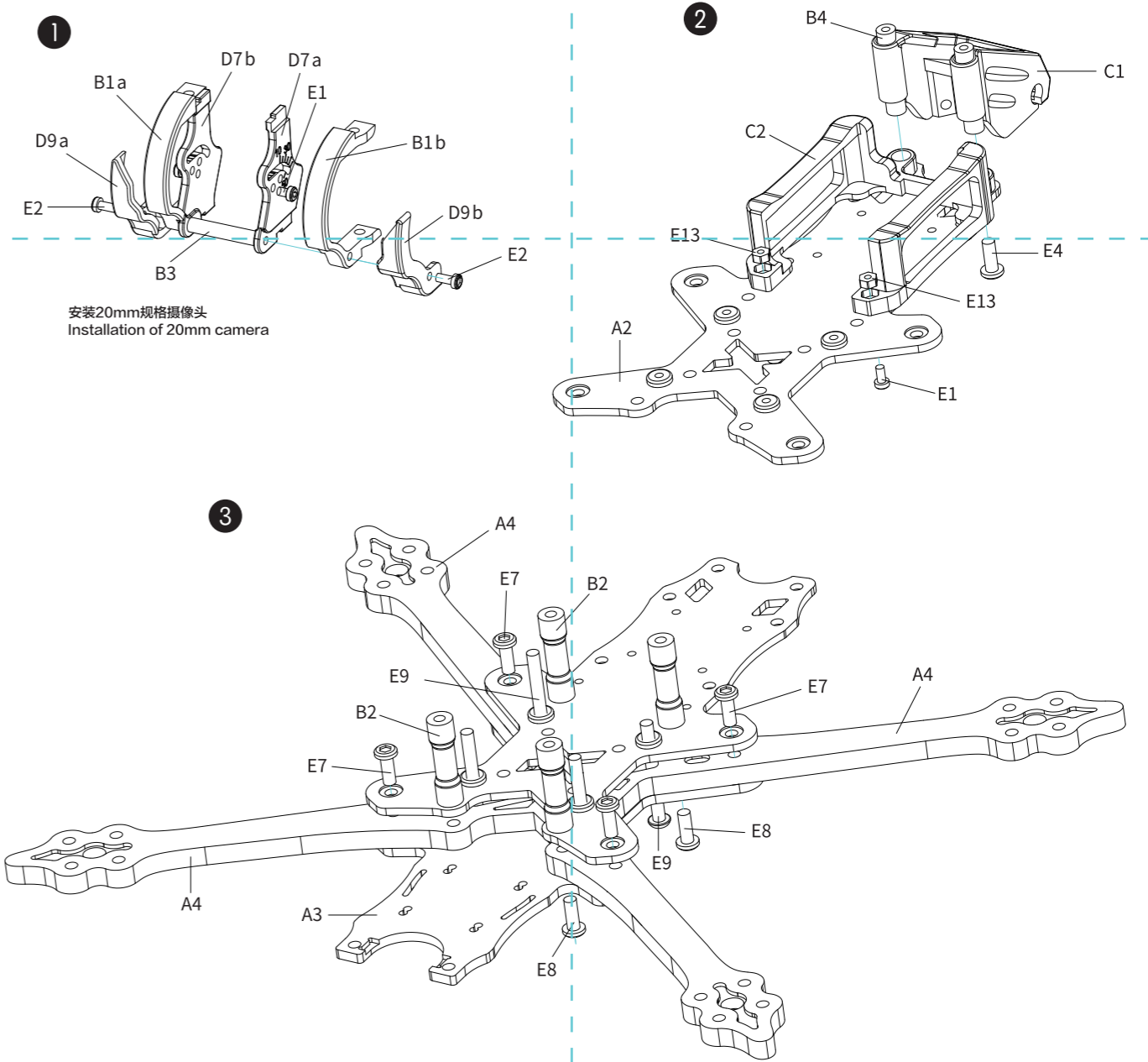
Frame Shape: Type H	Motor to Motor:226mm	Frame Net Weight: 140g(without injection plastic parts 13g)	Top Plate Thickness: 2.5mm
Medium Plate Thickness: 2 mm	Bottom Plate Thickness: 2.5mm	Arm Thickness:5mm	Arm Width:10~14mm
Bore Diameter of Snap Ring: Ø5.5mm	Max Stack Height: 23mm	Supported Prop Size: 5.2 inch	Camera Spacing:20mm
Recommended Lipo: 4S-6S	The hole distance of Motor mounting: 16mm(M3)	Recommended Motor Size: 22~23 Series motor	
FC Stack Mount: 20*20mm(M2)/30.5*30.5mm(M3)			

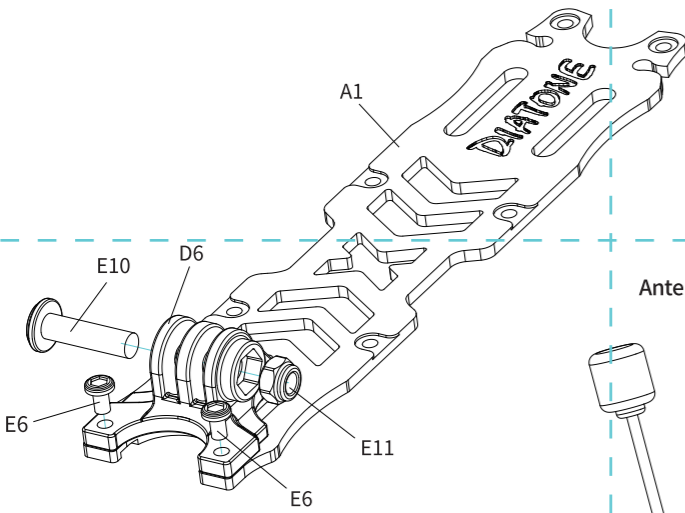
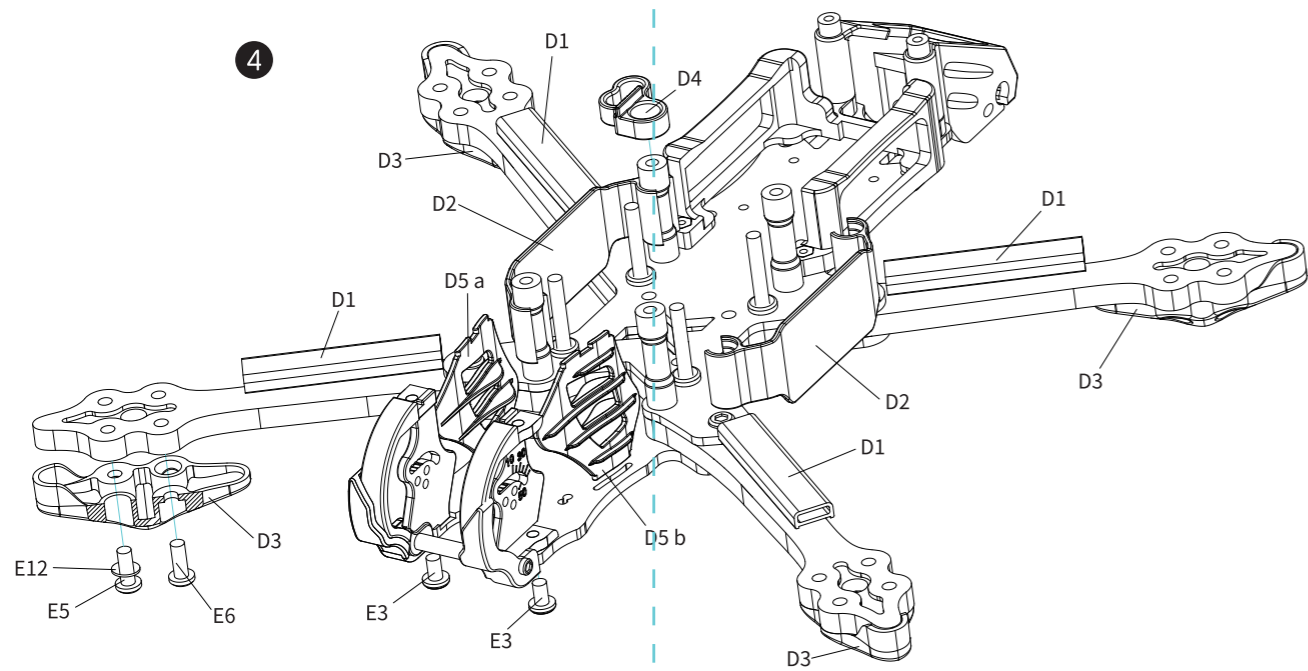
配件清单 Parts list

A1  顶板 Top plate ×1	A2  中板 Medium plate ×1	A3  底板 Bottom plate ×1	A4  机臂 Arm ×4	B1  机头金属件 Drone head metal parts ×1	B2  M3×23mm台阶铝柱 M3×23mm Alum standoff ×5
B3  M2×19mm铝柱 M2×19mm Alum standoff ×2	B4  M3×23mm铝柱 M3×23mm Alum standoff ×3	C1  GPS/TBS/2.4G打印件 GPS/TBS/2.4G 3D-Printed out ×1	C2  DJI天空端打印件 DJI AIR Unit bracket ×1	C3  DJI 双天线座 DJI dual antenna mount ×1	D1  电机线保护 Motor wire cover ×4
D2  飞控保护侧板 Arm guards ×1	D3  脚垫 Foot pad ×4	D4  电源线固定件 Power cord fixing ×1	D5  前进风侧板 Front airflow side panel ×1	D6  GoPro可调座 GoPro adjustable mount ×1	D7  镜头侧板 Camera plate ×1
D8  电池防滑垫 Lipo anti-slip pad ×1	D9  机头保护件 Camera protector ×1	D10  2.4G天线保护 2.4G Antenna protector ×2	E1  M2×5mm内六角螺丝 M2×5mm Hex screw ×7	E2  M2×11mm内六角螺丝 M2×11mm Hex screw ×3	E3  M3×5mm内六角螺丝 M3×5mm Hex screw ×5

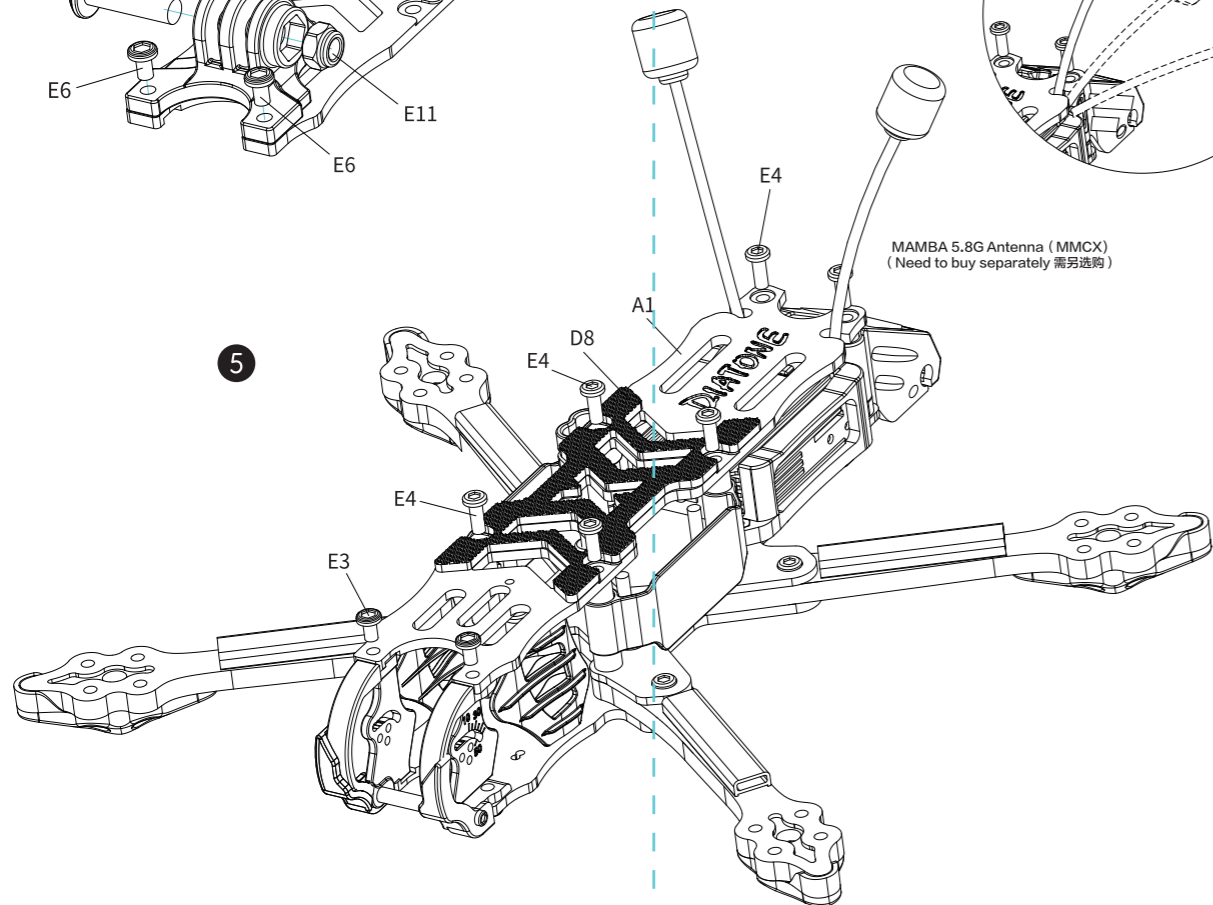
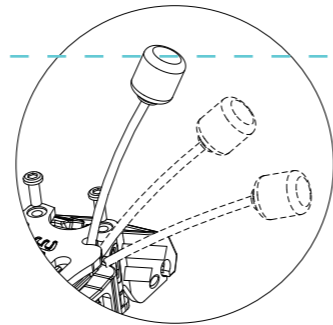
E4  M3×6mm内六角螺丝 M3×6mm Hex screw ×10	E5  M3×8mm内六角螺丝 M3×8mm Hex screw ×18	E6  M3×9mm内六角螺丝 M3×9mm Hex screw ×12	E7  M3×11mm内六角螺丝 M3×11mm Hex screw ×6	E8  M3×13mm内六角螺丝 M3×13mm Hex screw ×6	E9  M3×28mm内六角螺丝 M3×28mm Hex screw ×4
E10  M5×20mm内六角螺丝 M5×20mm Hex screw ×1	E11  M5 自紧螺母 M5 Self tightening nut ×1	E12  M3×6×0.5mm 铁垫片 M3×6×0.5mm Iron gasket ×18	E13  M2 螺母 M2 Nut ×3		

安装步骤 Installation procedure



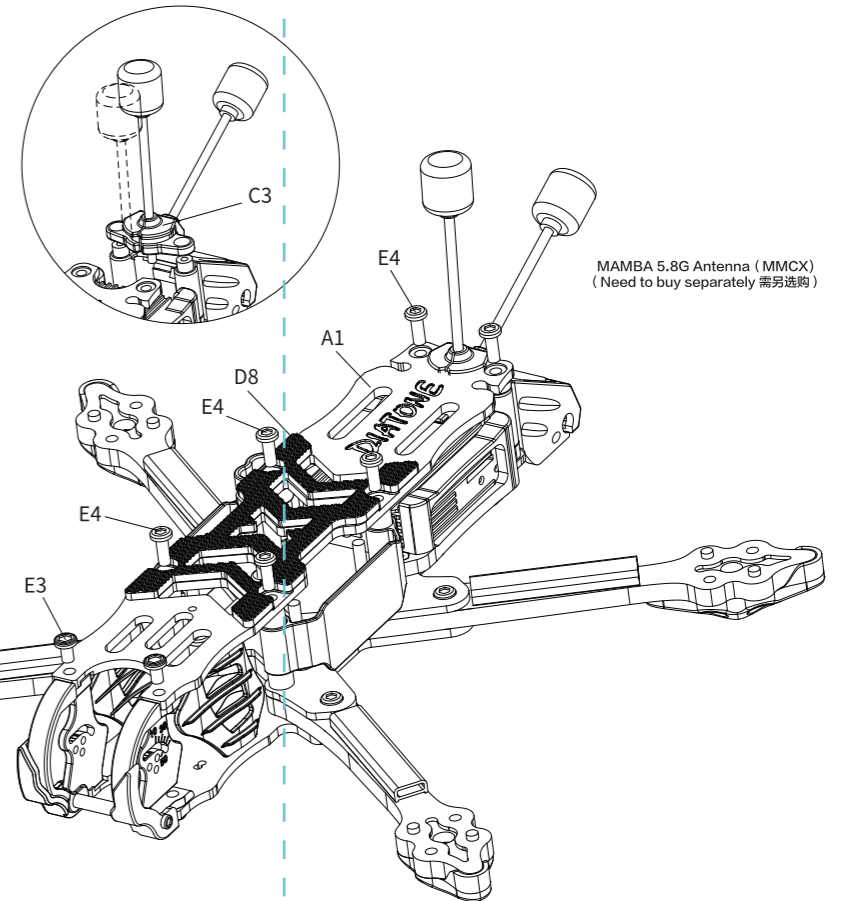


天线安装方式一:
Antenna installation Way 1:

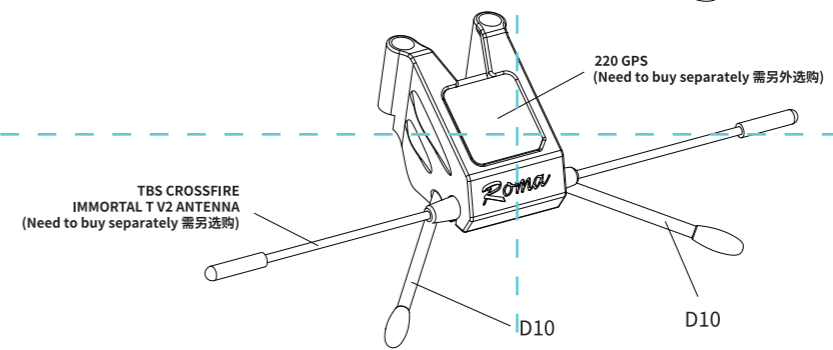


MAMBA 5.8G Antenna (MMCX)
(Need to buy separately 需另选购)

天线安装方式二:
Antenna installation Way 2:



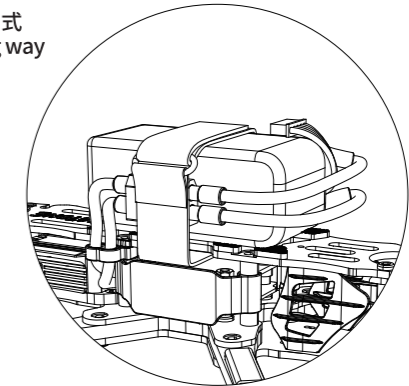
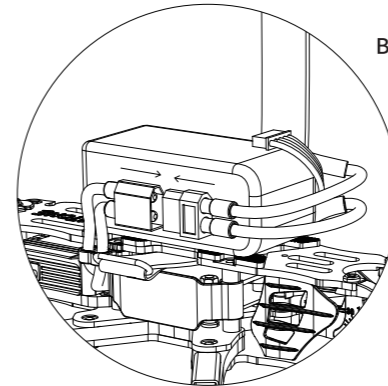
MAMBA 5.8G Antenna (MMCX)
(Need to buy separately 需另选购)



TBS CROSSFIRE
IMMORTAL T V2 ANTENNA
(Need to buy separately 需另选购)

220 GPS
(Need to buy separately 需另选购)

电池固定方式
Battery fixing way



更详细的信息, 可通过访问DIATONE官网获得
For more information, please refer to the Diatone official website

DIATONE®
We provide outstanding service since 2012

Manufacturer : Diatone Innovation Designed by Sniclo.
Email : service.support@diatone.hk
Tel : (+86) 0769-82100057 Web : www.diatone.us
Address : Baijiayi Technology Park A-3, Yantian, Fenggang, Dongguan, Guangdong, China

DIATONE® ROMA F5 v2 机架组装示意图

Roma F5 v2 Frame Assemble Diagram

Roma F5 v2 在原有基础上,优化了机臂根部的受力强度;机头的金属材质,从原来的7075合金升级到304不锈钢材质,表面抛光处理,带来更好的质感。金属件的固定螺丝,也从M2统一到M3尺寸;增加了GPS的装配位置,满足玩家对GPS的使用体验。新配色的全系列注塑保护件,提升颜值的同时,更适合入门玩家对产品的保护。GoPro可调角度座,提升用户的使用体验。紧凑型低重心设计,将会获得更好的手感及飞行性能。

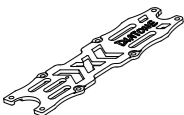
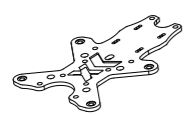
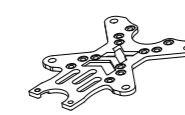
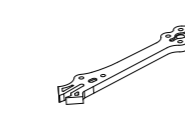
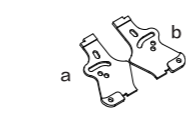
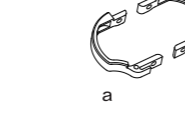
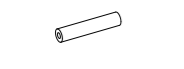
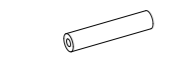
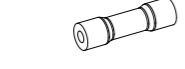




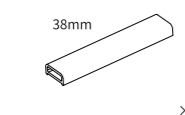
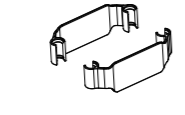


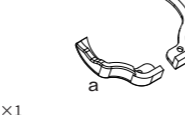
Diatone has introduced a number of changes to the newly optimized Roma F5 v2, including the stiffness and strength of the frame arms. We've also strengthened the metal parts at the front of the frame and upgrade the alloy material from 7075 to 304. For that extra high-end, tactile quality, we've treated the surface of the metal parts as well and changed the screws fixing the metal parts from M2 size to M3-sized specifications. Pilots looking for long-ranged adventures can consider Roma F5 v2, as we've added space to fit a GPS module. Roma F5 v2's injection-molded protection parts not only add a dash of color with our new color options but also offer better protection for your gear. The GoPro mount angle can be adjusted for faster changes on the fly. For the best flying experience, the v2 comes in a slammed configuration for stability.

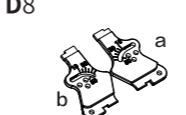


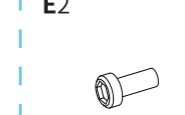
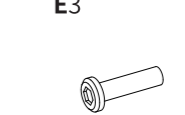

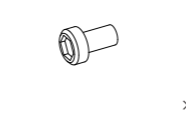
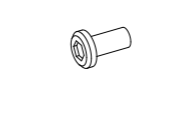
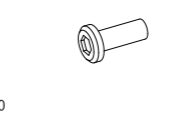
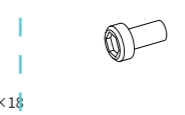
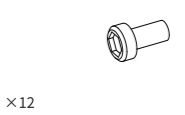
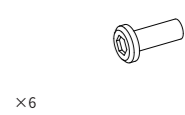
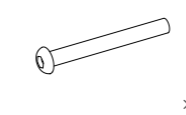
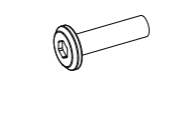


产品规格 Product Specifications

机架类型:H型	对角轴距:218mm	机架净重:124g(不含注塑件约10g)	上板厚度:2.5mm
中板厚度:2mm	底板厚度:2.5mm	机臂厚度:5mm	机臂宽度:10~14mm
侧板厚度:1.5mm	卡簧孔径:Ø5.5mm	设备层高:23mm	支持最大桨叶:5.1inch
摄像头间距:20mm	推荐电池:4S~6S	电机安装孔距:16mm(M3)	推荐电机:22~23系列电机
飞控孔距:20*20mm (M2) /30.5*30.5mm (M3)			

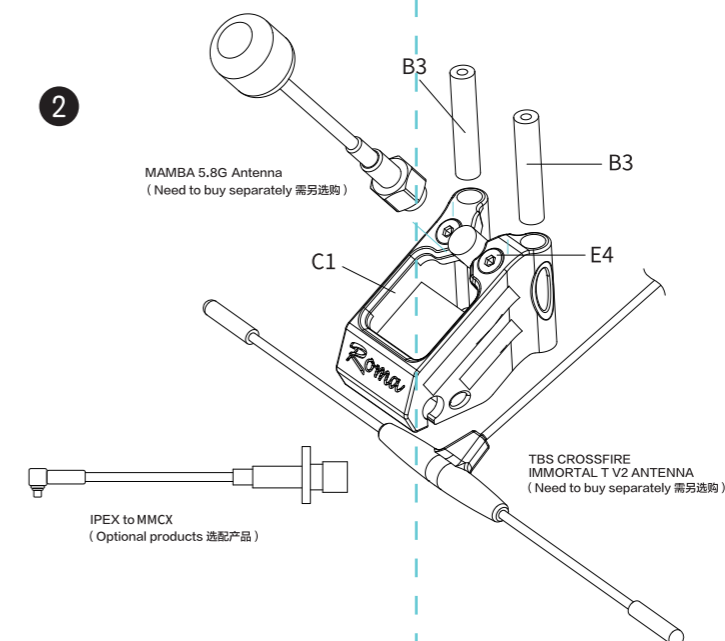
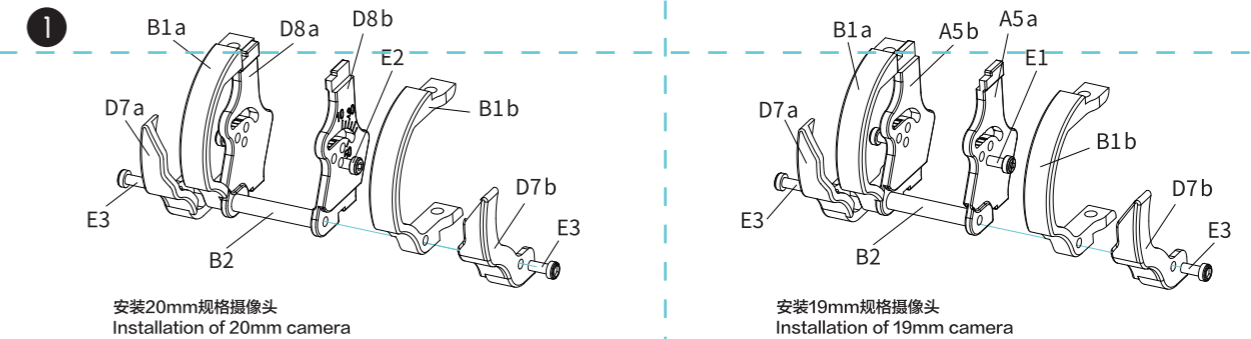
Frame Shape: Type H	Motor to Motor:218mm	Frame Net Weight: 124g(without injection plastic parts 10g)	Top Plate Thickness: 2.5mm
Medium Plate Thickness: 2 mm	Bottom Plate Thickness: 2.5mm	Arm Thickness:5mm	Arm Width:10~14mm
Side plate thickness:1.5mm	Bore Diameter of Snap Ring:Ø5.5mm	Max.Stack Height:23mm	Supported Prop Size: 5.1 inch
Camera Spacing:20mm	Recommended Lipo: 4S-6S	The hole distance of Motor mounting: 16mm(M3)	
Recommended Motor Size: 22~23 Series motor		FC Stack Mount: 20*20mm(M2)/30.5*30.5mm(M3)	

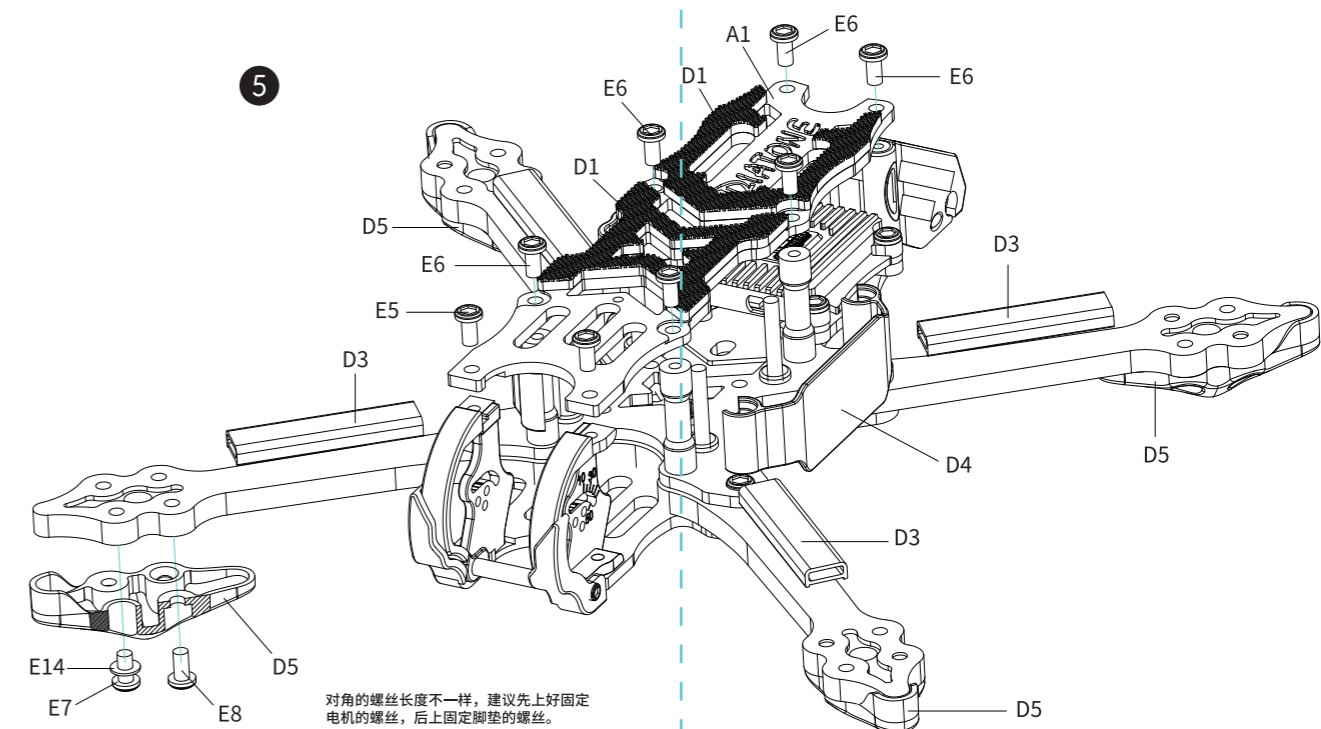
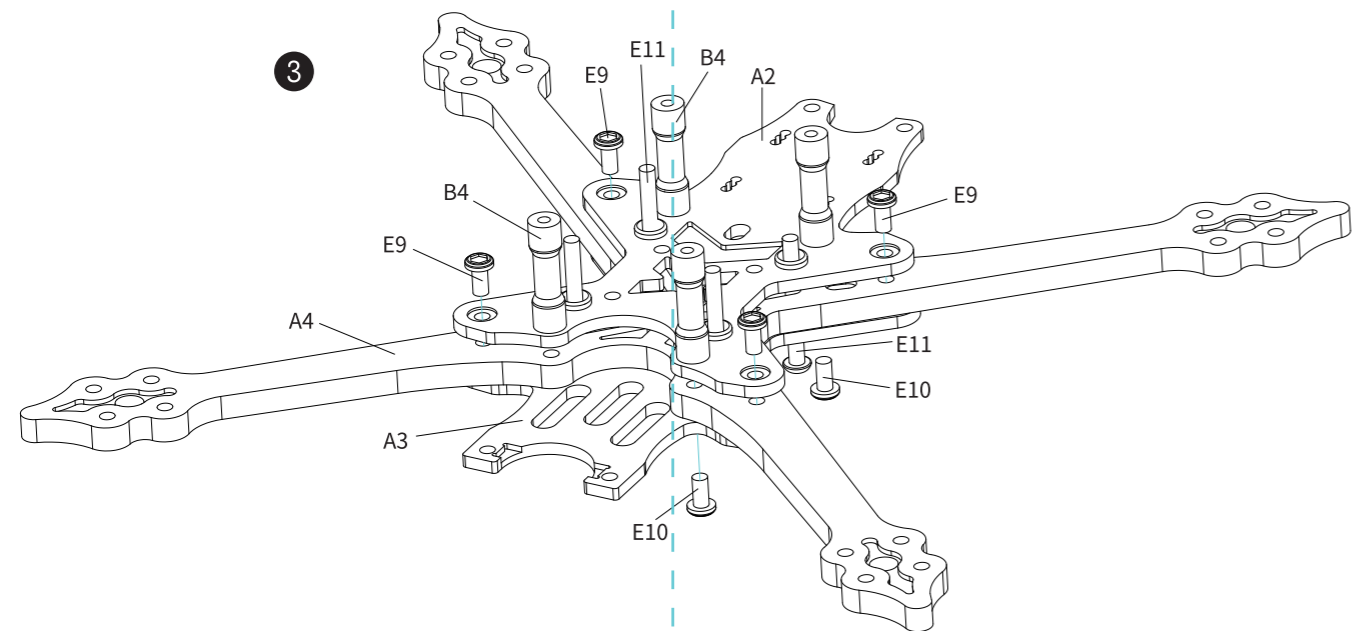
配件清单 Spare parts list

A1  顶板 Top plate ×1	A2  中板 Medium plate ×1	A3  底板 Bottom plate ×1	A4  机臂 Arm ×4	A5  镜头侧板 Camera plate ×1	B1  机头金属件 Drone head metal parts ×1
B2  M2×19mm铝柱 M2×19mm Alum standoff ×2	B3  M3×23mm铝柱 M3×23mm Alum standoff ×3	B4  M3×23mm台阶铝柱 M3×23mm Alum standoff ×5	B5  图传转接件 VTX adapter ×1	C1  GPS/TBS/2.4G 打印件 GPS/TBS/2.4G 3D-Printed out ×1	D1  电池防滑垫 Lipo anti-slip pad ×1
D2  GoPro 可调座 GoPro adjustable mount ×1	D3  电机线保护 Motor wire cover ×4	D4  飞控保护侧板 Arm guards ×1	D5  脚垫 Foot pad ×4	D6  电源线固定件 Power cord fixing ×1	D7  机头保护件 Camera protector ×1

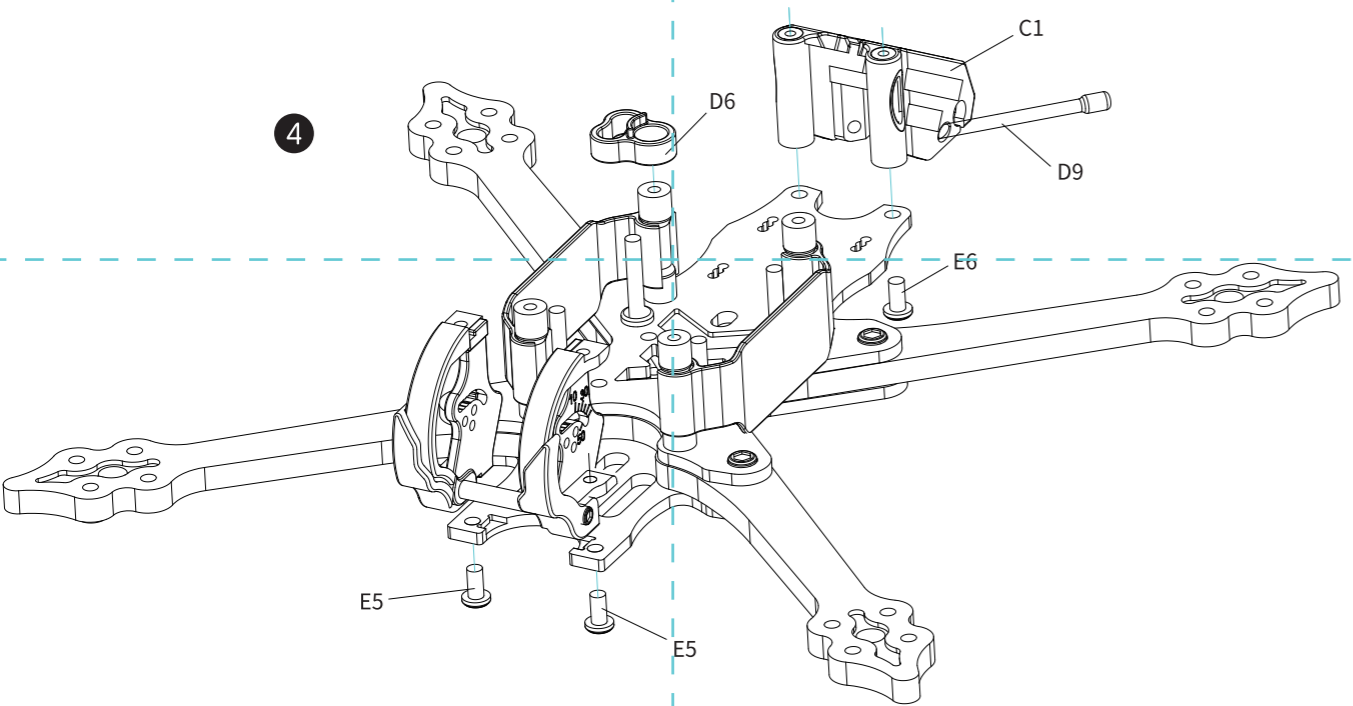
D8  DJI 镜头侧板 DJI Camera plate ×1	D9  2.4G天线保护 2.4G Antenna protector ×2	E1  M2×4mm内六角螺丝 M2×4mm hex screw ×9	E2  M2×5mm内六角螺丝 M2×5mm hex screw ×5	E3  M2×11mm内六角螺丝 M2×11mm Hex screw ×3	E4  M3×4mm沉头内六角螺丝 M3×4mm Sunken socket head cap screw ×3
E5  M3×5mm内六角螺丝 M3×5mm Hex screw ×10	E6  M3×6mm内六角螺丝 M3×6mm Hex screw ×10	E7  M3×8mm内六角螺丝 M3×8mm Hex screw ×18	E8  M3×9mm内六角螺丝 M3×9mm Hex screw ×12	E9  M3×11mm内六角螺丝 M3×11mm Hex screw ×6	E10  M3×13mm内六角螺丝 M3×13mm Hex screw ×6
E11  M3×28mm内六角螺丝 M3×28mm Hex screw ×4	E12  M5×20mm内六角螺丝 M5×20mm Hex screw ×1	E13  M5 自紧螺母 M5 Self tightening nut ×1	E14  M3×6×0.5mm 铁垫片 M3×6×0.5mm Iron gasket ×18		

安装步骤 Installation procedure

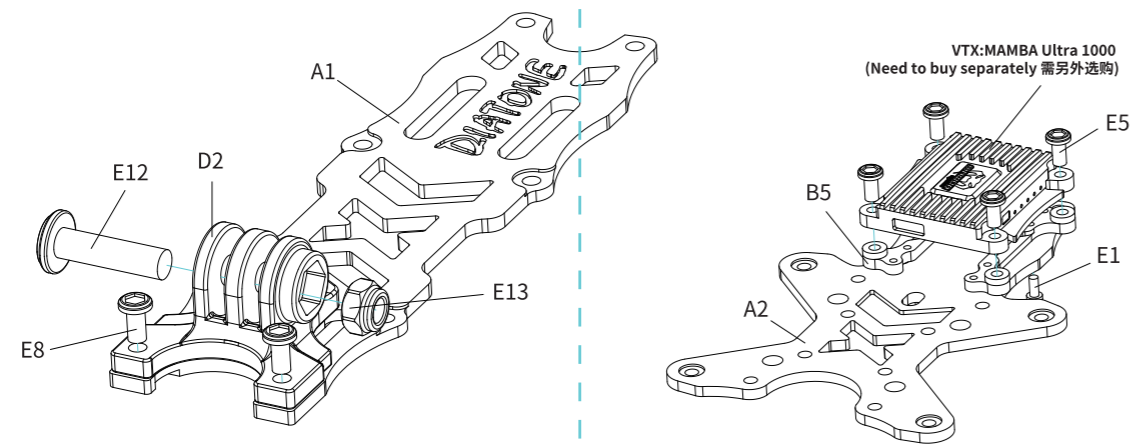
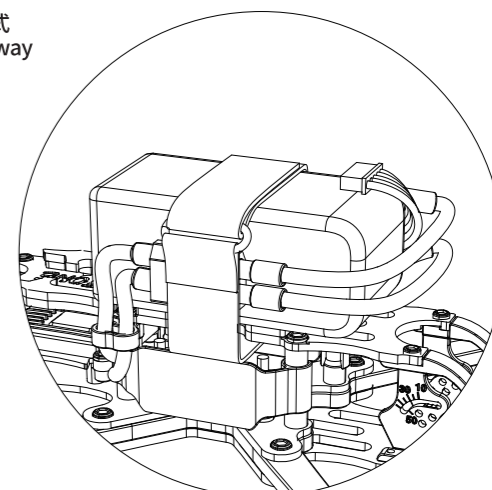
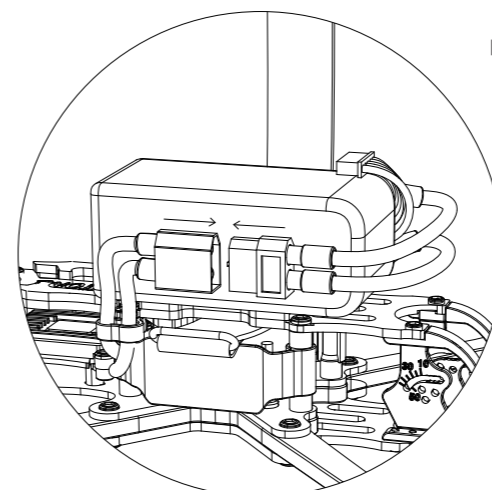




对角的螺丝长度不一样，建议先上好固定电机的螺丝，后上固定脚垫的螺丝。
Please note the different screw hole lengths on the arm bumper plastic injection part. We suggest mounting the motor screws first, then the screws for the plastic injection part.



电池固定方式
Battery fixing way



VTX:MAMBA Ultra 1000
(Need to buy separately 需另外选购)

更详细的信息，可通过访问DIATONE官网获得
For more information, please refer to the Diatone official website

DIATONE®
We provide outstanding service since 2012

Manufacturer : Diatone Innovation Designed by Sniclo.
Email : service.support@diatone.hk
Tel : (+86) 0769-82100057 Web : www.diatone.us
Address : Baijiayi Technology Park A-3, Yantian, Fenggang, Dongguan, Guangdong, China

成品尺寸:400mm*295mm(正反两面印刷)

出血位:红色虚线, 3mm

文件比例:1:1

单位:mm

纸张:105g 铜版纸

折式:蓝色虚线为折叠虚线(无需印刷)

时间:2021-04-12