








# Fantom Doorstop

The Fantom Doorstop is a fully concealed magnetic doorstop that includes a hold-open function. The Fantom Doorstop system provides a high quality innovative solution for all project application requirements, alleviating trip hazards whilst maintaining a modern desirable finish. The concealed rare-earth magnet technology ensures exceptional mechanical functionality.

## Packaging SKUs

TRADE SKU  
RETAIL SKU

-  TRADE-CLEAR-NYLON  
CLAM-CLEAR-NYLON
-  TRADE-BLACK-NYLON  
CLAM-BLACK-NYLON
-  TRADE-WHITE-NYLON  
CLAM-WHITE-NYLON

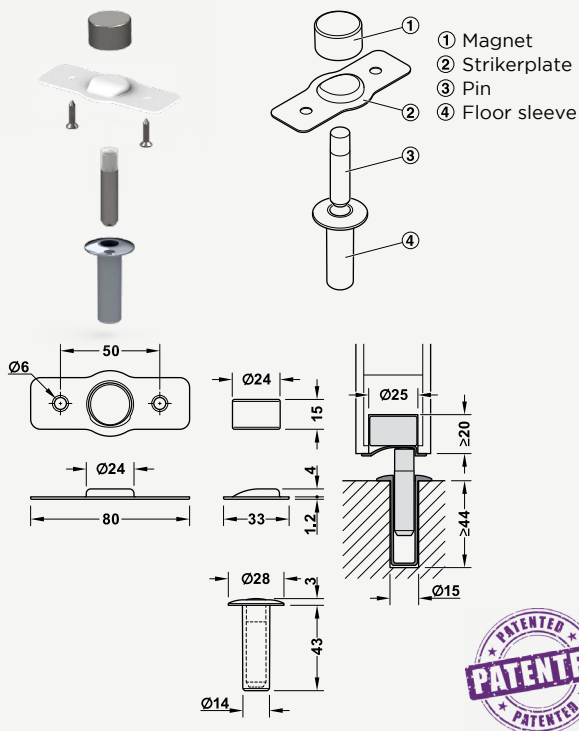
-  TRADE-CHROME-NYLON  
CLAM-CHROME-NYLON
-  TRADE-SATIN-NYLON  
CLAM-SATIN-NYLON
-  TRADE-BRASS-NYLON  
CLAM-BRASS-NYLON



## Details

- Hold-open function [12.1 Nm]
- Prevents damages to the wall and door
- Stops the door from “springing open” and holds the door in the “open” position
- No risk of stumbling

## Components and Dimensions



## Packaging trade

Material	
Floor sleeve: Polycarbonate or Cast Alloy Magnet: N30 Neodymium Pin: Low Carbon Steel / Thermoplastic Elastomer Striker plate: Nylon	
Finish/colour	SKU
Transparent	TRADE-CLEAR-NYLON
Black	TRADE-BLACK-NYLON
White	TRADE-WHITE-NYLON
Polished chrome plated	TRADE-CHROME-NYLON
Satin chrome plated	TRADE-SATIN-NYLON
Brass	TRADE-BRASS-NYLON
Packing: 1 piece	



<b>Area of Application:</b>
Hinged doors made from wood, metal/Steel* or Aluminium* for indoor use
<b>Installation</b>
Striker plate and magnet: For recess mounting in under side of door leaf
<b>Important Information:</b>
Recommended gap measurement between finished floor level and underside of door leaf does not exceed 15mm-20mm
If the gap is 15mm to 20mm, you can purchase a 5mm Fantom Packer, that can be installed between the underside of the door leaf and the striker plate.
*Install with Fantom Magnet housing (see accessories page)



## Fantom Barn door

The Fantom Barn Door's functionality is the same as the original Fantom, however the Barn Door Fantom has the orientation of the strike zone changed to suit a sliding door. The striker plate design allows for smooth activation/deactivation and can be used in both the open and close positions as a doorstop.

### Packaging SKUs

TRADE SKU  
RETAIL SKU

○ TRADE-BARN-CLEAR  
CLAM-BARN-CLEAR

● TRADE-BARN-BLACK  
CLAM-BARN-BLACK

○ TRADE-BARN-WHITE  
CLAM-BARN-WHITE

● TRADE-BARN-CHROME  
CLAM-BARN-CHROME

○ TRADE-BARN-SATIN  
CLAM-BARN-SATIN

● TRADE-BARN-BRASS  
CLAM-BARN-BRASS

# Fantom Barn door

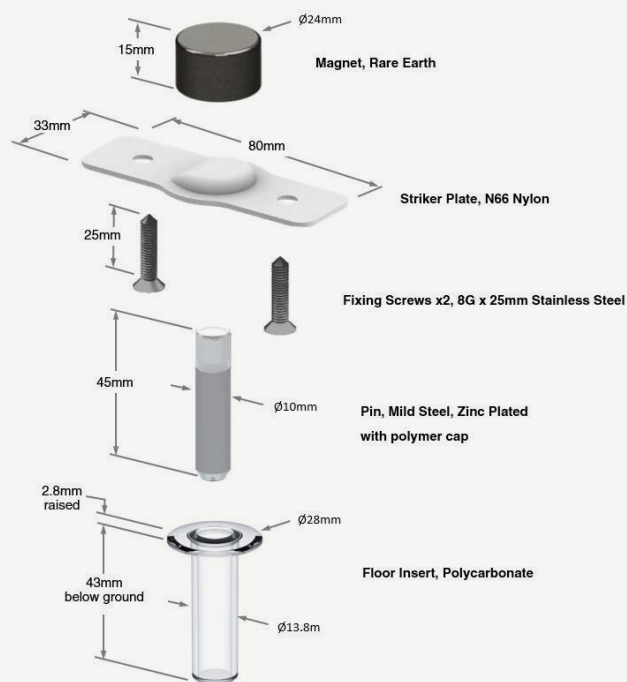
## Details

- Suitable for use in both the open and closed positions
- Soft close feature
- Smooth activation and deactivation
- Provides a firm hold at the closed position
- Removes door 'wobble'

## Packaging trade

Material	
Floor sleeve: Polycarbonate or Cast Alloy Magnet: N30 Neodymium Pin: Low Carbon Steel / Thermoplastic Elastomer Striker plate: Nylon	
Finish/colour	SKU
Clear	TRADE-BARN-CLEAR
Black	TRADE-BARN-BLACK
White	TRADE-BARN-WHITE
Chrome	TRADE-BARN-CHROME
Satin	TRADE-BARN-SATIN
Brass	TRADE-BARN-BRASS
Packing: 1 piece	

## Components and Dimensions



### Area of Application:

Sliding doors made from wood, metal/Steel\* or Aluminium\* for indoor use

### Installation

Floor sleeve: For recess mounting in the floor

Striker plate and magnet: For recess mounting in under side of door leaf

Location: Can be installed in open or closed position to hold door leaf

### Important Information:

Recommended gap measurement between finished floor level and underside of door leaf does not exceed 15mm-20mm

If the gap is 15mm to 20mm, you can purchase a 5mm Fantom Packer, that can be installed between the underside of the door leaf and the striker plate.

\*Install with Fantom Magnet housing (see accessories page)

Can be used on Facemount, Barn and cavity sliding doors



## Fantom Pivot

The Fantom Pivot door-hold, features the patented dimple and hold open design but no stopping lip as it's application is for use with pivot doors to allow the door to swing in both directions but still locate the door and hold it in the closed location. In double doors, this can be used on the active door to hold it shut and allow it to swing both directions, and also the inactive door

instead of face fixed drop bolts. Fantom Pivot can be used alongside Fantom Doorstop to offer an all round pivot door solution which will hold the door in the closed position but also as a doorstop when the door is being used.

---


### Packaging SKUs

 TRADE-CLEAR-PIVOT

 TRADE-BLACK-PIVOT

 TRADE-WHITE-PIVOT

 TRADE-CHROME-PIVOT

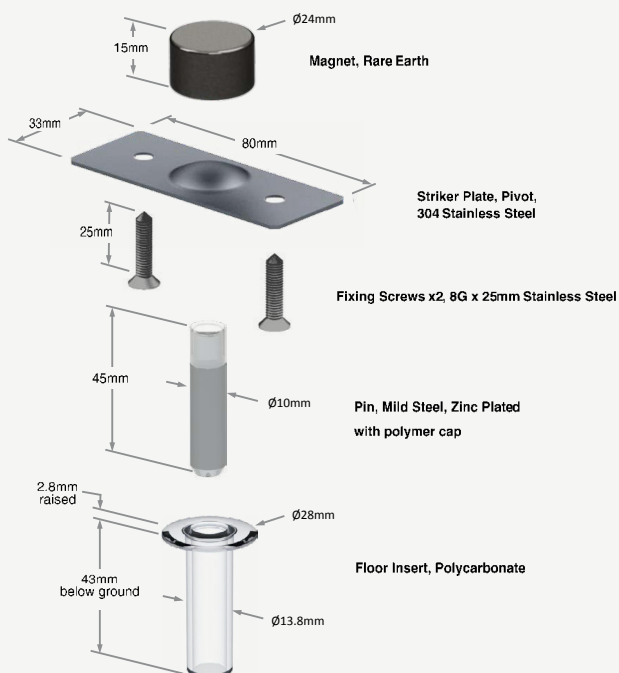
 TRADE-SATIN-PIVOT

 TRADE-BRASS-PIVOT

## Details

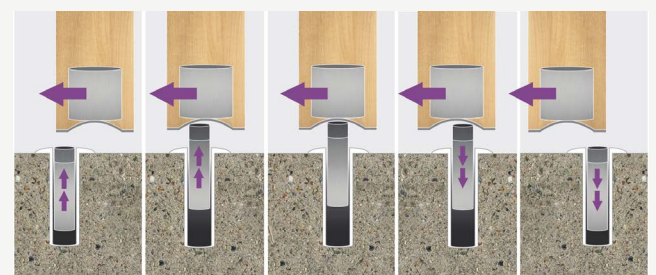
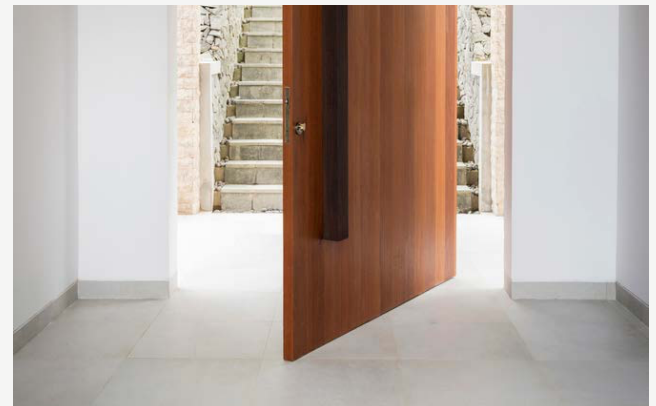
1. Pivot stop Suitable for use in the closed position.
2. suitable for single swing & dual swing pivot doors
3. Soft close feature
4. Smooth activation and deactivation
5. Provides a firm hold at the closed position.

## Components and Dimensions



## Packaging trade

Material	
Floor Sleeve: Polycarbonate or Cast Alloy Magnet: N30 Neodymium Pin: Low Carbon Steel / Thermoplastic Elastomer Striker Plate: Stainless Steel	
Finish/colour	SKU
Clear	TRADE-CLEAR-PIVOT
Black	TRADE-BLACK-PIVOT
White	TRADE-WHITE-PIVOT
Satin	TRADE-SATIN-PIVOT
Chrome	TRADE-CHROME-PIVOT
Brass	TRADE-BRASS-PIVOT
Packing: 1 piece	



### Area of Application:

Pivot doors made from wood, metal/Steel\* or Aluminium\* for indoor use

### Installation

Floor sleeve: For recess mounting in the floor

Striker plate and magnet: For recess mounting in under side of door leaf

### Important Information:

Recommended gap measurement between finished floor level and underside of door leaf does not exceed 15mm-20mm

If the gap is 15mm to 20mm, you can purchase a 5mm Fantom Packer, that can be installed between the underside of the door leaf and the striker plate.

\*Install with Fantom Magnet housing (see accessories page)

Single swing door will require 1 x Pivot stop and 1 x Fantom doorstop

Dual swing door 1 x Pivot stop and 2 x Fantom doorstop



# Fantom Fire

The Fantom Fire Magnetic Doorstop provides a robust, trip-hazard free doorstop solution for the residential, commercial and industrial sectors. The flush mounted pin alleviates trip hazards whilst the specially designed face-mounted magnet housing stops the door, however, will not hold the door open when used with a door closer as to meet fire rating specifications

## Packaging SKUs

-  FIRE-CLEAR
-  FIRE-CHROME
-  FIRE-SATIN

## Fire Compliance

Fantom Hardware  
Test Standard: AS 1530.4 - 1997, SS332: 2007 & BS476:  
Part22: 1987 BRANZ FAR: 4690  
Cert# 257  
Valid: 30 June 2027



## Details

- Fire rated
- Flush mounted
- No trip hazard
- Rare earth magnet technology
- Stream-line modern finish
- Suitable for various fixing positions

## Components and Dimensions



## Packaging trade

Material	
Floor Sleeve: Polycarbonate or Cast Alloy	
Magnet: N30 Neodymium	
Pin: Low Carbon Steel / Thermoplastic Elastomer	
Backing plate: stainless steel	
Magnet housing: cast aluminium/ chrome plated	
Finish/colour	SKU
Clear	FIRE-CLEAR
Chrome	FIRE-CHROME
Satin	FIRE-SATIN
Packing: 1 piece	

Fire Compliance
Test certificate available on request <a href="mailto:hello@fantomhardware.com">hello@fantomhardware.com</a>



Min Drilling Depth
Floor Sleeve - 14mm x 48mm Min Door Thickness: 35mm
Area of Application:
Fire Rated doors
Installation
Floor sleeves: For recess mounting in the floor Strike & Magnet face mounted on door
Important Information:
Please note face mount strike is designed to <b>NOT</b> hold the door open and is designed to only act as a door stop for installation in applications where a standard stop is a trip hazard



## Fantom Defender

The Fantom Defender combines modern aesthetics with reliable security and smooth functionality to provide you with two functional modes.

Utilizing rare-Earth technology and a patented sliding face-mount system, the simple foot-activated Fantom Defender allows the door to be opened just enough to see who is on the other side before allowing complete access—protecting you against intruders attempting to enter your home by force.

When not being used as a security measure, the Fantom Defender is a functional, hazard-free doorstop used to prevent the door from contacting walls and furniture, or from opening any further than desired. The Defender also features a strong “hold open” function to keep you door held in position when desired.

### Packaging SKUs

TRADE SKU  
RETAIL SKU

TRADE-DEFENDER-CHROME  
DEFENDER-CHROME

TRADE-DEFENDER-SATIN  
DEFENDER-SATIN



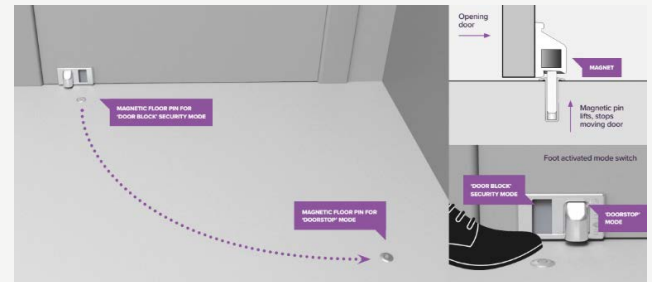
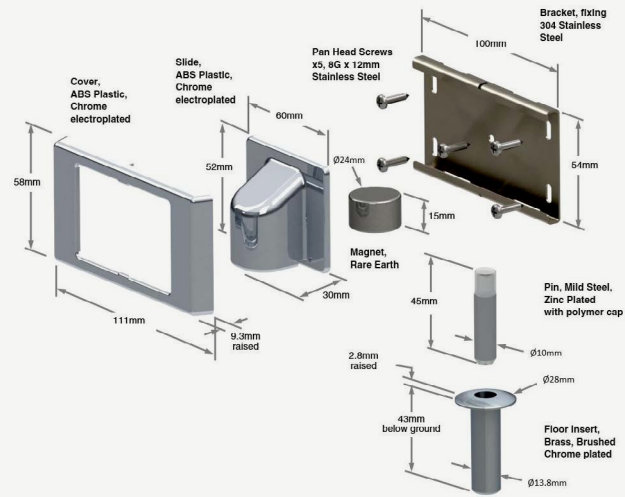
## Details

1. Suitable for use on entry doors
  - Solid / aluminium & Steel door types
2. Trip hazard free
3. Secure hold
4. Ease of use with patented sliding face-mount system
5. Smooth activation and deactivation

## Packaging trade

Material	
Floor Sleeve: Brass or Brushed Chrome plated Magnet: Rare Earth Pin: Mild Steel or Zinc Plated with polymer cap Striker Plate: ABS Plastic or Chrome electroplated	
Finish/colour	SKU
Chrome	TRADE-DEFENDER-CHROME
Satin	TRADE-DEFENDER-SATIN
Packing: 1 piece	

## Components and Dimensions



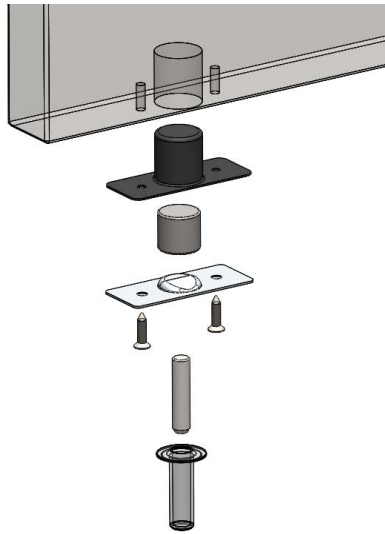
<b>Area of Application:</b>
Entry Doors Solid wood, metal/Steel* or Aluminium* for indoor use
<b>Installation</b>
Floor sleeves: For recess mounting in the floor in 2 locations duel location Striker plate and magnet: face mounted to internal
<b>Important Information:</b>
Ensure "door block" security installed floor sleeve is installed in a position where external intruders cannot access or "reach around" into the internal side of door

# Fantom Accessories

## Magnet Housing

The magnet housing has been designed to allow installation in hollow extrusion such as aluminium or steel framed doors. It prevents the magnet from being lost inside the extrusion. Can also be used on hollow core doors if necessary.

SKU: MAGNET-HOUSING

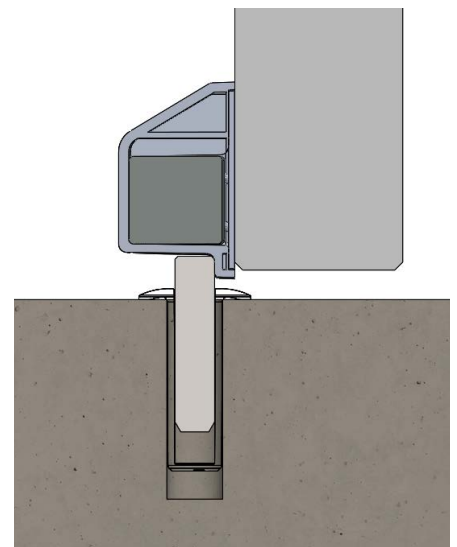
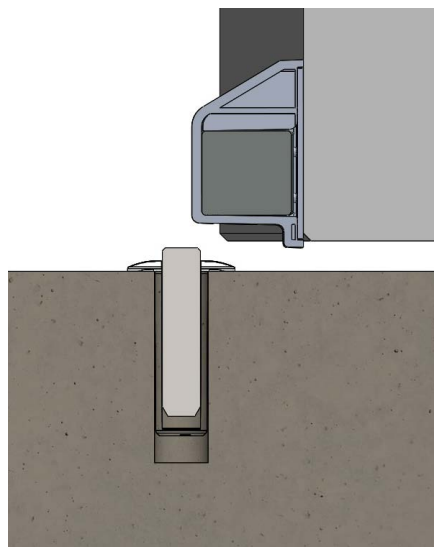


1. The magnet housing has been designed to allow installation of the magnet in hollow extrusion such as aluminium or steel framed doors.
  - Simply cut out a 27mm diameter
  - Place magnet in the housing section
  - Install nylon strike into the magnet housing using appropriate metal or aluminium screws (not supplied)
  - It prevents the magnet from being lost inside the aluminium or steel extrusion.
2. It can also be used on hollow core doors if necessary.

## Facemount, Chrome & White

Fantom Face-Mounts are designed for use when doors are already installed and the installer does not wish to take the door off, as they would with the standard Fantom Doorstop. Facemounts are ideal for use on front doors which often have thresholds and/or weather seals

SKU: FACEMOUNT-CHROME  
FACEMOUNT-WHITE



1. Fantom Face-Mounts are designed for use when doors are already installed and the installer does not wish to take the door off, as they would with the standard Fantom Doorstop.
  - To be used in conjunction with standard fantom doorstop discarding the nylon strike
2. Magnet sits inside the back of the face mount and is secured with a backing plate
3. Can also be used if door gap is larger than 20mm
4. Face-mounts are ideal for use on front doors which often have thresholds and/or weather seals.

## 5mm Packer

For use when doors have a gap exceeding 10mm. The packer brings down the height of the striker plate and magnet to achieve a lower gap

SKU: PACKER-5MM



1. The Fantom Doorstop has a maximum recommended door gap of 15mm.
2. This packer is specially designed to bring the striker plate down to an acceptable gap and still allow the magnet to sit down on top of the striker plate ensuring normal function.
3. The packer will bring down the striker plate by 5mm.
4. Can be used in conjunction with a magnet housing accessory

# Fantom Accessories



## Fantom Installation Kit

All tools (minus power tools) required to install the Fantom Doorstop.

SKU: INSTALL-KIT



## 14mm Carpet Punch

For use when installing the Fantom Doorstop in a carpeted flooring surface. The Fantom Carpet Punch allows for a clean, round 14mm hole to be punched into the carpet before drilling, removing the risk of threading the carpet with the drill bit.

SKU: CARPET-PUNCH



## 15mm Diamond Corner

For use when installing the Fantom Doorstop in a tiled flooring surface. The Fantom Diamond Corer allows for a clean, round 14mm hole to be drilled into tiled surfaces. NOTE: Drill slowly, starting on a 45° angle and always use with water.

SKU: DIAMOND-CORER



## Shipping and freight info

PRODUCT	L (cm)	W (cm)	H (cm)	UNITS/MASTER	WEIGHTS (KG'S)	HS CODES
Fantom Trade boxes	450	400	360	80	13	8302.41.00
Fantom Clam shells	470	360	380	64	15	8302.41.00
Fantom Defender Trade	670	290	270	40	7	8302.41.00
Fantom Defender Clam	300	330	600	40	17	8302.41.00
Face mounts	405	260	120	50	3.5	7326.90.90
Carpet punch	330	150	120	55	8.75	8205.59.00
Diamond corer	300	120	110	55	1.5	8205.10.00
Install kit	345	285	325	50	12	8206.00.00
5mm Packer	260	170	70	200	1.2	3926.90.90
Bench display	235	195	125	10	6.2	3926.90.90
Magnet Housing	12	7.5	3	N/A	0.004	3926.90.00