

## General recommendations



At the first start-up of the Grill it will give off paint odor, this is because the paint cures in use, this event is normal and will not repeat itself in the following uses.  
During the curing process, no surface of the grill should be touched.

So your product is ready to Roast!!!



Do not burn plastics derived from oil.



Do not wet, in contact with moisture it may rust.



Choose a dry place for storage and shelter from rain and dust.

**Ñuke**  
Volver al Hogar

[WWW.PRODUCTOSNUKE.COM.AR](http://WWW.PRODUCTOSNUKE.COM.AR)

94-002-300 MNL - PUMA

## OUTDOOR FIRE LINE

### THE PUMA GRILL



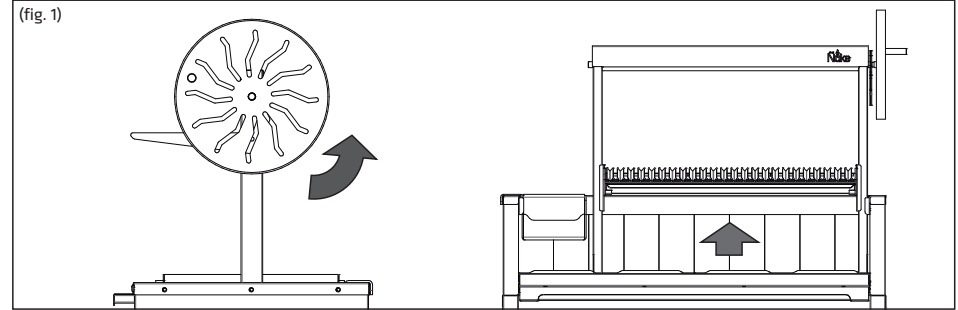
**Ñuke**  
TU CASA, TU HOGAR

WITH PRIDE, WE THANK YOUR PREFERENCE AND CONFIDENCE  
TO ALL OF US WHO MAKE ÑUKE

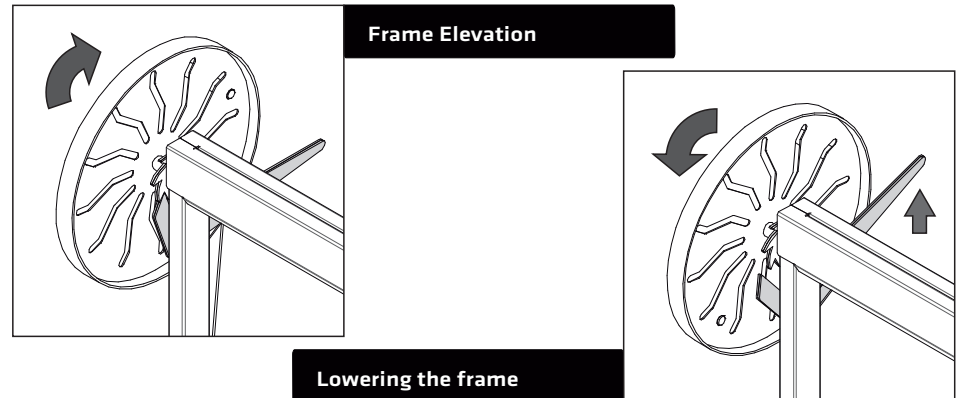
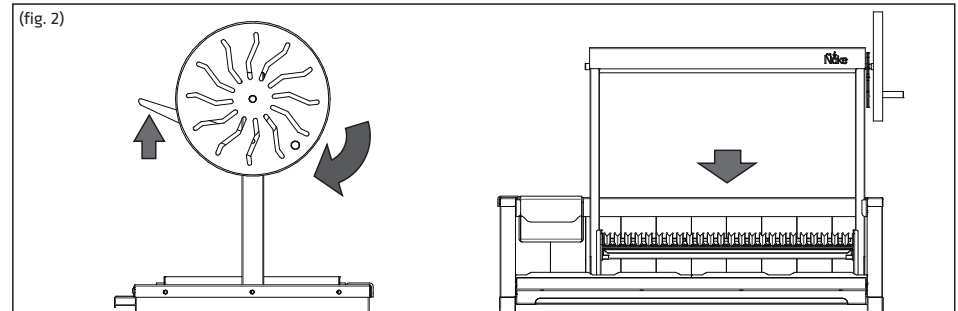


## CONTROLLING THE FRAME LIFT

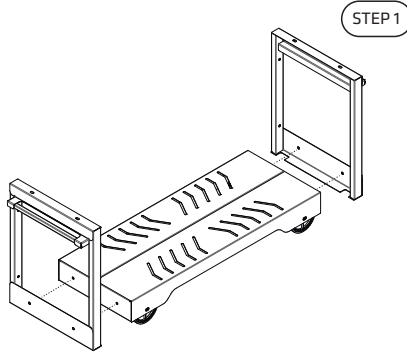
The Puma grill has a steering wheel lifting mechanism. To operate it, the steering wheel must be turned in the direction indicated in figure 1, to the desired height. It includes a locking system that does not need to be operated when the frame is raised.



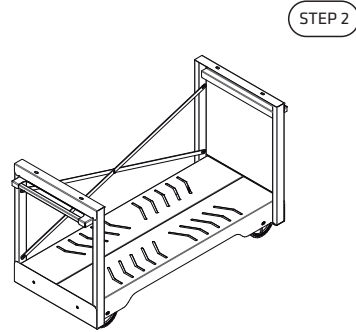
To lower the frame, the safety catch must be unlocked, holding it up and turning the steering wheel in the opposite direction to the elevation, as shown in figure 2. **IMPORTANT!!! DO NOT RELEASE THE WHEEL WHILE THE INSURANCE IS RELEASED.**



## ASSEMBLING THE BASE

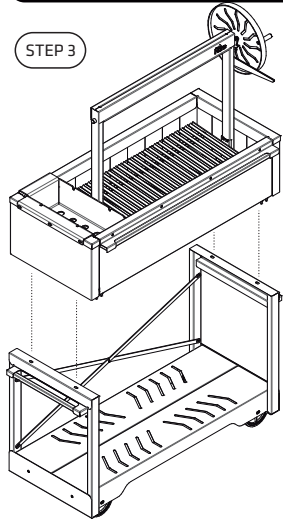


The first step in assembling the structure is to join and screw the sides to the base.



The second step is to join the sides by means of the cross bars support. When screwing, leave them almost unadjusted, you should adjust them once the grill is located.

## ASSEMBLING THE GRILL



The grill is fixed with 4 screws at the bottom of it.

⚠ If necessary, remove the bricks, grills and stoker to lighten the grill.

⚠ If necessary, require the help of a person to raise the grill to its base.

Don't forget to adjust the cross bars support once the grill is attached to the base.

## PRECAUTIONS

**FAILURE TO OBSERVE THE HAZARD NOTICES, WARNINGS AND PRECAUTIONS CONTAINED IN THIS OWNER'S MANUAL COULD RESULT IN SERIOUS PERSONAL INJURY OR DEATH, OR IN A FIRE OR EXPLOSION CAUSING PROPERTY DAMAGE.**



SAFETY SYMBOLS ( ⚠ ) will alert you to important information



Read all the safety information in this Owner's Guide before operating the grill.



Do not use it inside the house! This grill should only be used outdoors. If used indoors, fumes will build up causing serious bodily injury or death.



Do not leave babies, children, or pets unattended near a hot grill.



Do not try to move the hot grill. Wait for the grill to cool down before moving it.



Never add lighter fluid or charcoal impregnated with it to charcoal already lit.



If you use lighter fluid, after using it, cap the bottle of lighter and place it at a safe distance from the grill.



You must be careful when operating your grill. It will be hot while cooking and should never be left unattended while in use.



Do not remove the ashes until the charcoal has burned completely and is completely extinguished and the grill is cold.



Keep grill on a level and safe surface at all times, away from combustible materials.



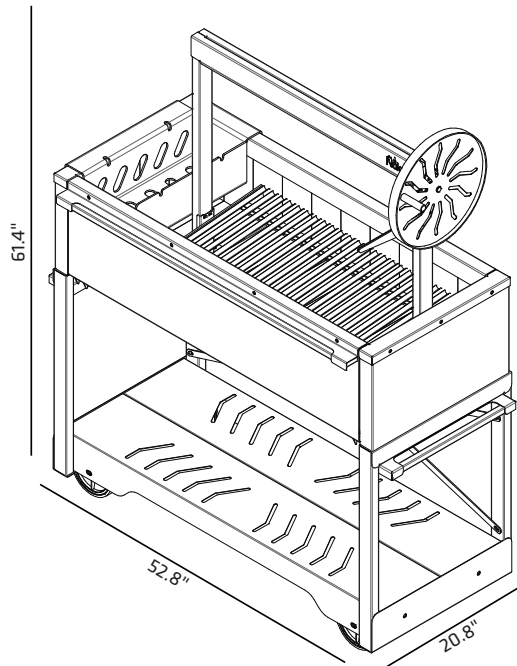
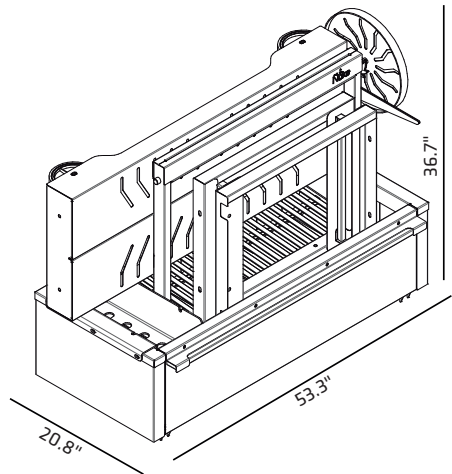
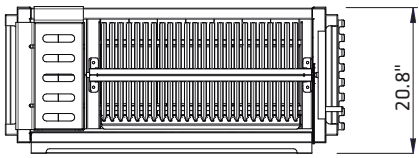
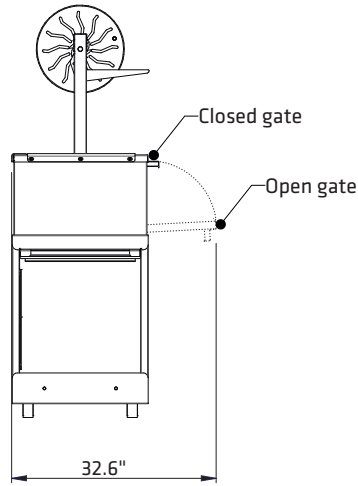
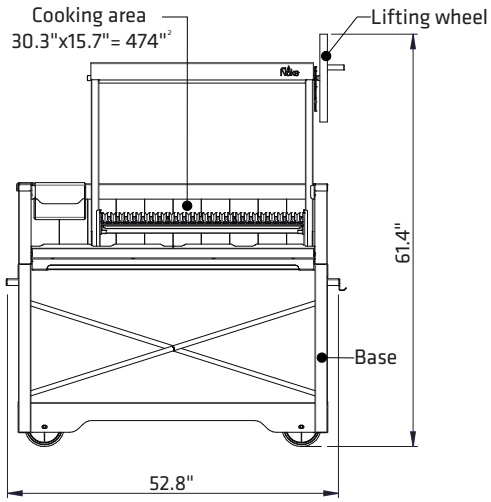
Do not dispose of hot coals where they could be stepped on or pose a fire risk.



Do not dispose of ashes or coals before they are completely extinguished.

# DIMENSIONS

When using your Puma grill, please note the following dimensions



# COMPONENTS

Inside the packaging of your grill, you will find:

