



OUTDOOR

ÑUKE DELTA GRILL



Nuke[®]

FIRE FOOD TRADITION

WELCOME TO OUR FAMILY

Your purchase of our hand-made Delta grill is your passport to the wood-fired asado traditions of the Argentinian prairies.

For hundreds of years, asado-style barbecue has been a central aspect of Argentinian family, community and national celebrations, and we are delighted that you have chosen to join the fellowship of real-fire cooking.

We love to hear from owners of our Ñuke products. Feedback on your experience with your Ñuke grill not only allows us to continue to refine our products, but helps us tell the story of the joy great food brings us all.

Please take a moment to join our growing worldwide family and share the memories you create with your Ñuke grill.




Ñuke BBQ USA
info@realfirebbq.com
<https://www.nukebbq.com/>
Instagram: @nukebbqusa
Facebook:
<https://www.facebook.com/nukebbqusa>

SAFETY WARNINGS

DISREGARDING THE WARNINGS AND CAUTIONS CONTAINED IN THIS OWNER'S MANUAL COULD RESULT IN SERIOUS BODILY INJURY OR DEATH, CREATE A FIRE HAZARD OR EXPLOSION, CAUSING PROPERTY DAMAGE.



Safety symbols  alert you to important information.



Read all the safety information contained in this Owner's Guide before using this product.



Do not leave infants, children, or pets unattended near a hot grill.



Do not try to move the hot grill. Wait for the grill to cool before moving it.



Never add lighter fluid or use charcoal that has been treated with it, to already lit charcoal.



At all times, keep the grill on a safe and level surface, away from combustible materials.

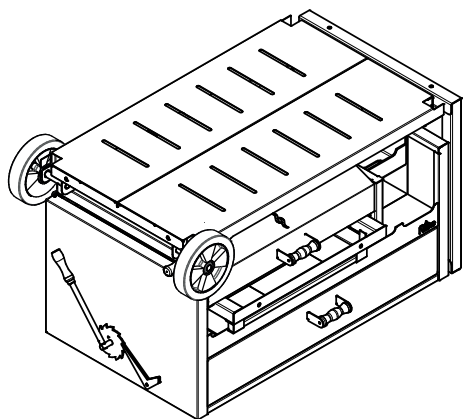


Do not dispose hot coals where they could cause injury or pose a fire hazard.

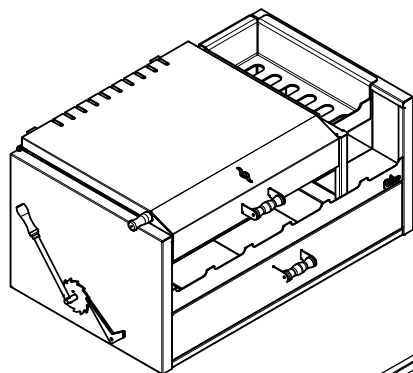
In case of any defects please contact: support@realfirebbq.com

ASSEMBLY

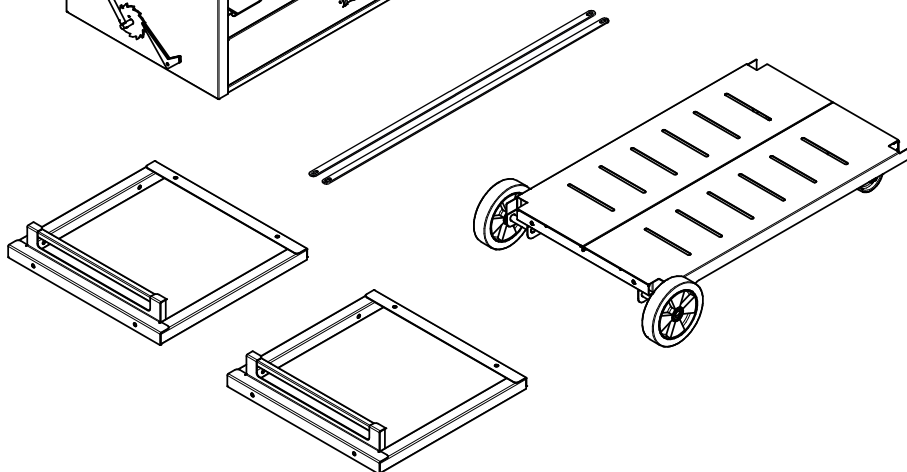
To assemble your grill follow the instructions below



The base of your grill comes disassembled. To assemble it, follow the instructions indicated in this user manual.

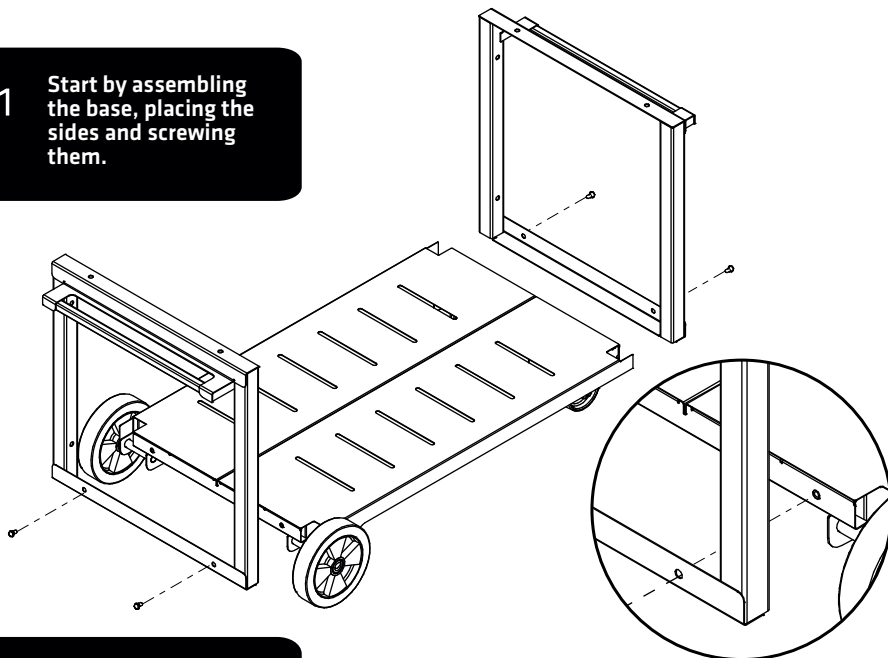


Screws 5/16" x 3/4"
HEXAGONAL HEAD 1/2"
x12 units

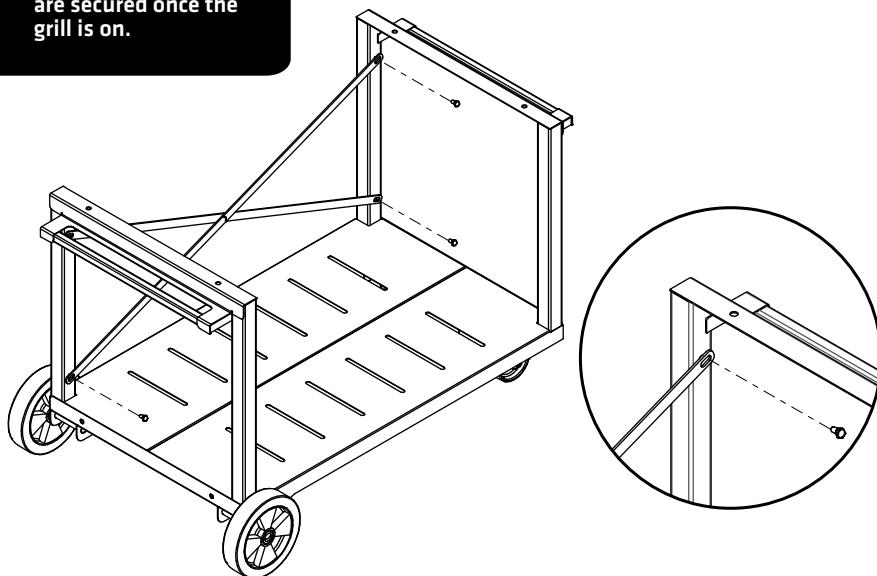


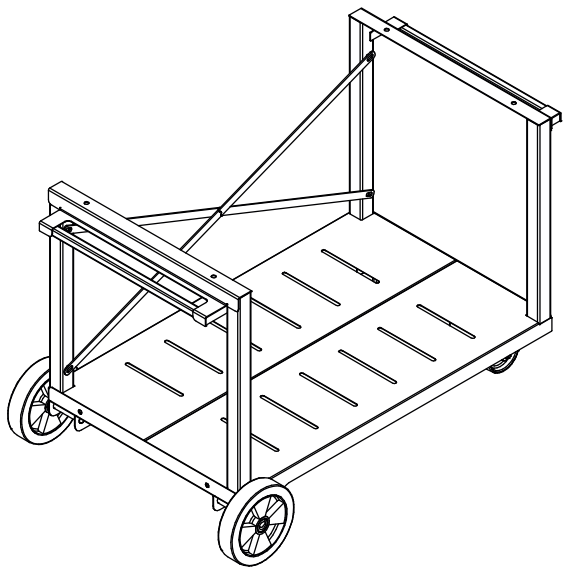
ASSEMBLY

- 1 Start by assembling the base, placing the sides and screwing them.

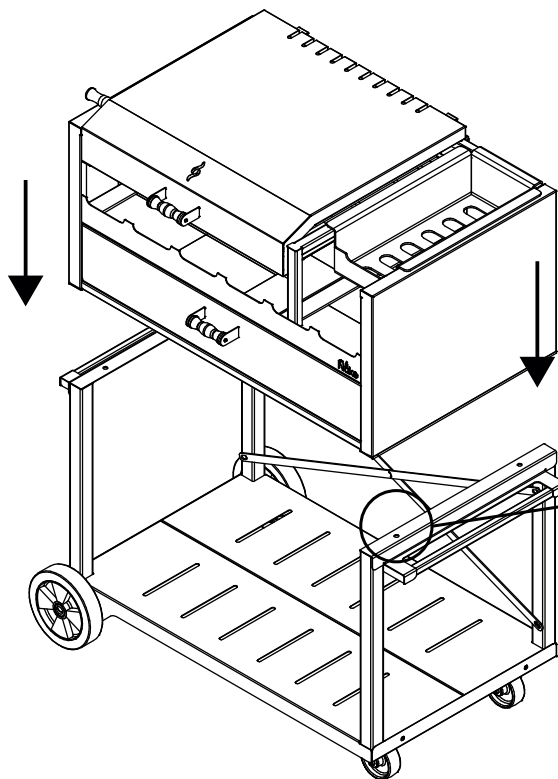


- 2 Position the crossbars without fully tightening them. They are secured once the grill is on.



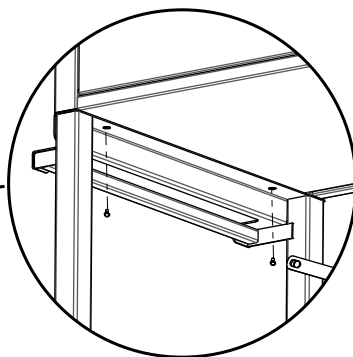


- 1 When the base is assembled with its wheels, place the body of the grill on the base.
- 2 Secure the grill by screwing it to the cart from underneath. Then tighten the cross bars to prevent the grill from falling down.



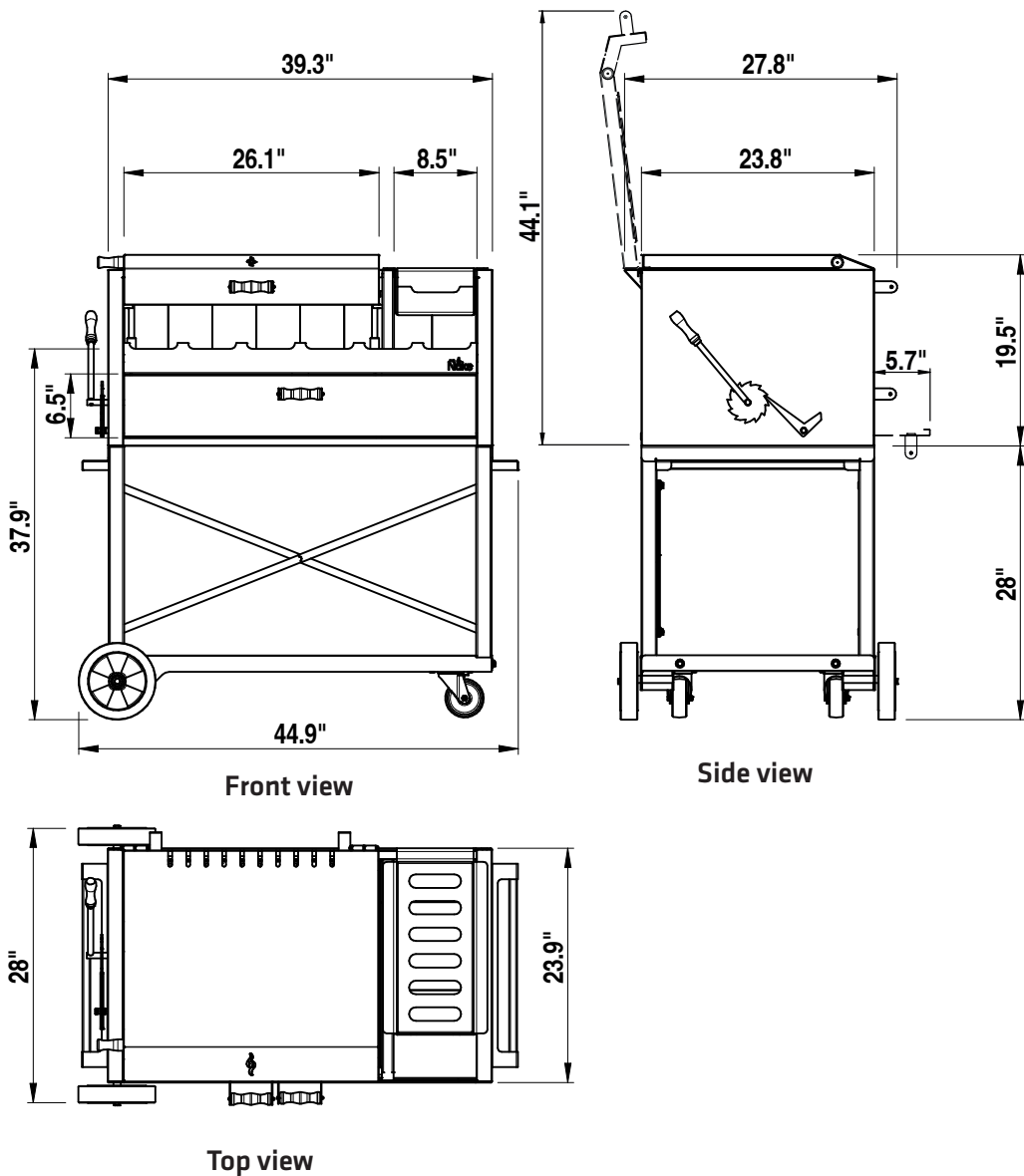
161

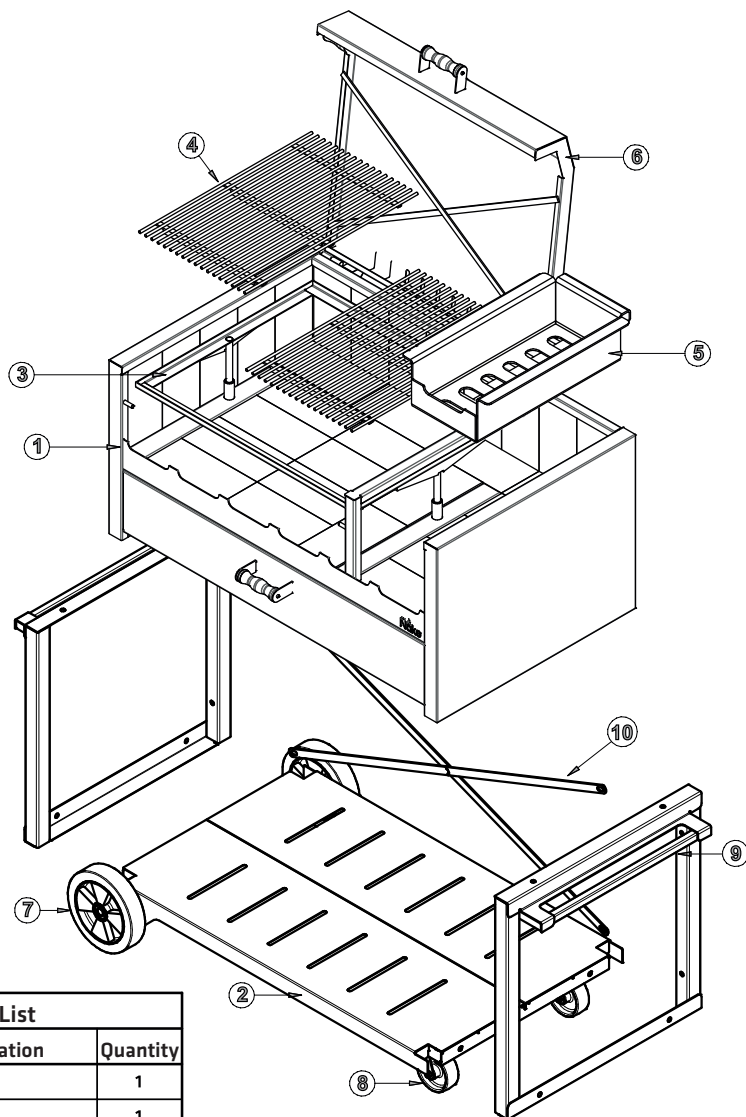
When moving your grill keep in mind that it is a heavy item, perform the task with help to avoid injury.



DIMENSIONS

When using your grill, consider the following measurements

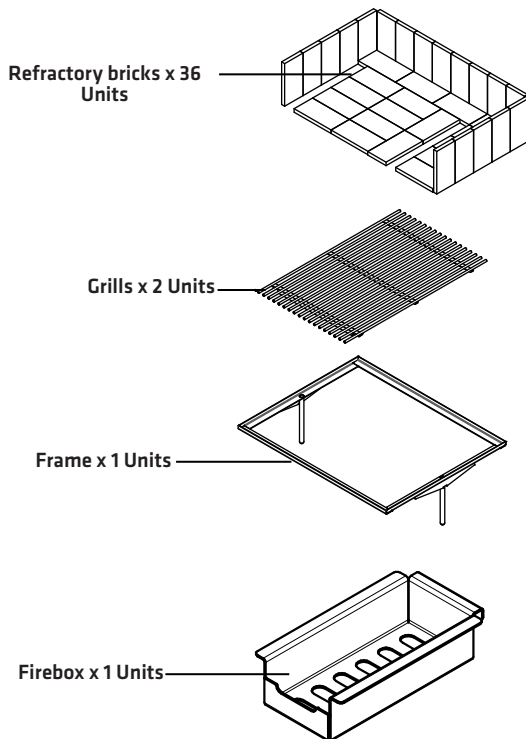
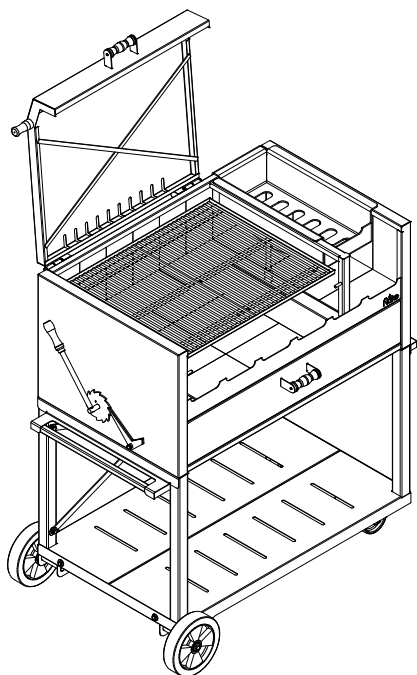
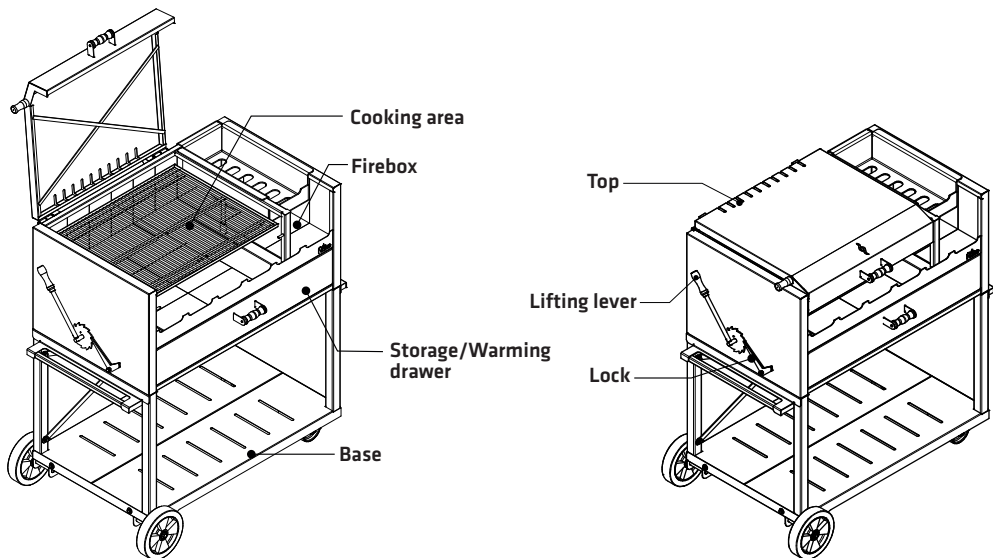




Part List

Ref.	Denomination	Quantity
1	Grill Body	1
2	Base	1
3	Frame	1
4	Grate	2
5	Firebox	1
6	Lid	1
7	Fixed wheel	2
8	Swivel Wheel	2
9	Lateral base	2
10	Crossbars	2

🔥 PARTS



HOW TO USE

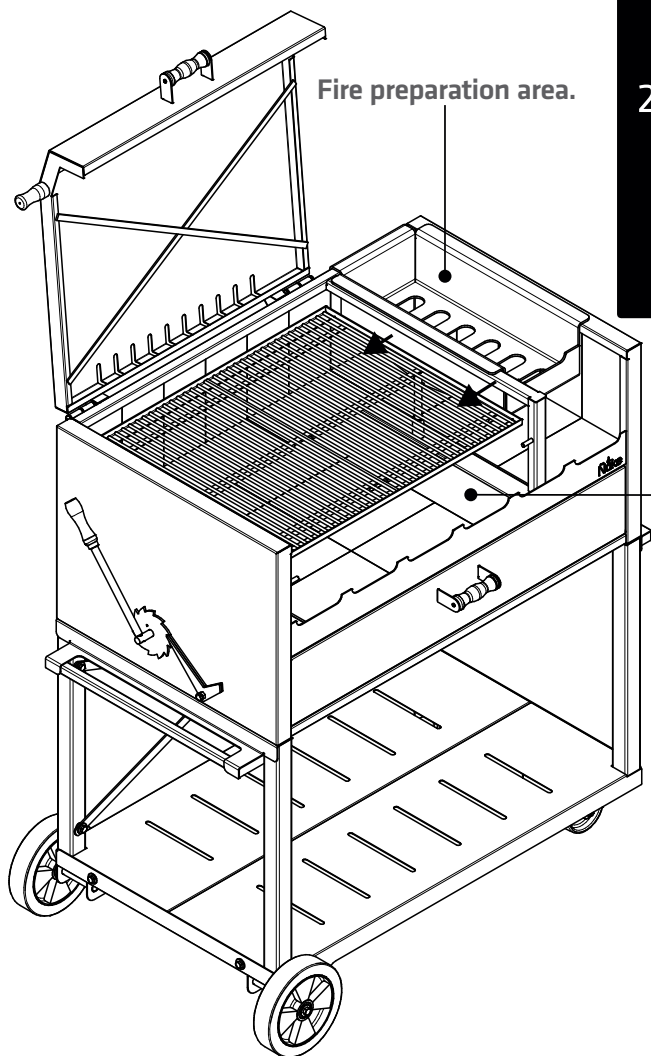
To ensure proper use of your grill, please follow the instructions below.

START UP

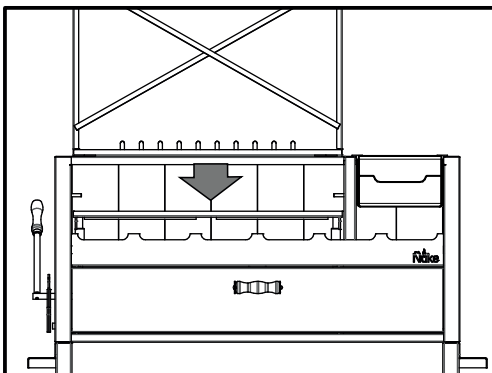
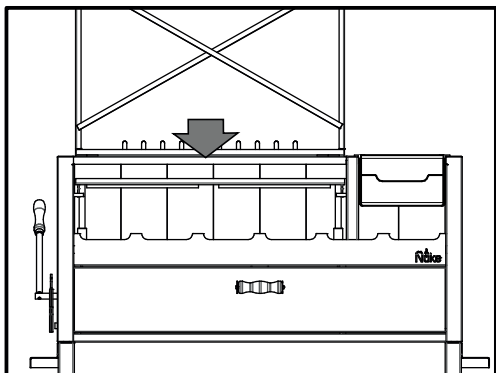


1 You should start the fire in the fire preparation area by placing charcoal or hard wood.

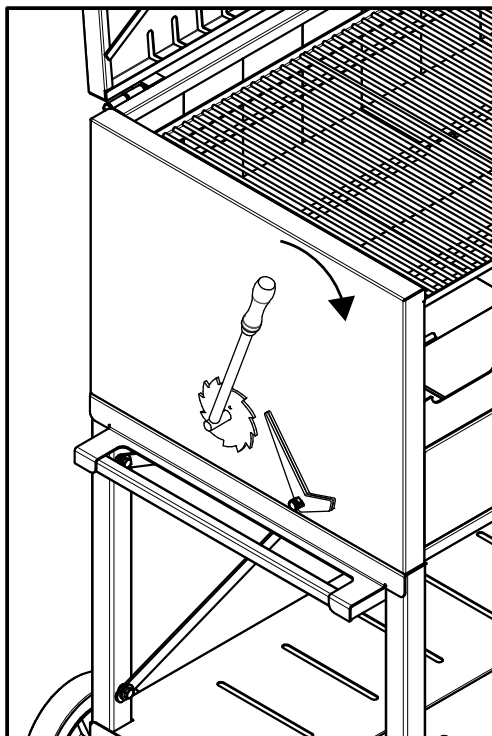
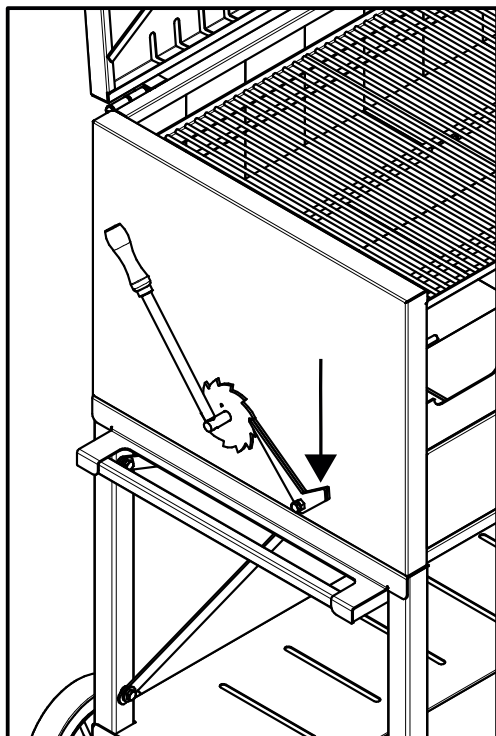
2 As the fire generates embers, they will fall through the firebox openings. When enough embers are created, use the poker to move them under the cooking grates



High adjustment



Lower the latch and use the side handle, adjust the height of the grate until you reach the desired height for correct cooking.



General instructions



When you first start up your grill, you may notice a burnt paint smell. This is due to the paint curing process, which is normal and will rarely recur in the future.



Never use wood that has been contaminated with toxic chemicals, such as pressure treated lumber or painted wood. Do not burn petroleum-based plastics.

Do not leave grill unattended while in use.



Keep children and pets away from the grill while in use.

Do not touch metal parts of the grill until they have completely cooled after use.



Choose a dry place to store the grill and protect it from rain. At all times, keep the grill on a safe and level surface, and away from combustible materials.

**Nuke**[®]

FIRE FOOD TRADITION

WWW.NUKEBBQ.COM