

## GENERAL RECOMMENDATIONS



At the first start-up of the Grill, it will give off the smell of paint, this is because the paint is cured in use, and this event is normal and will not be repeated in the following uses.

During the curing process, do not touch any surface of the grill

So your product will be ready to roast!



Do not burn petroleum plastics



Do not wet, in contact with moisture it may rust.



Choose a dry place for storage and shelter from rain and dust.

**Ñuke**  
Volver al Hogar

[WWW.PRODUCTOSNUKE.COM.AR](http://WWW.PRODUCTOSNUKE.COM.AR)

94-002-001 MNL-PAMPA REV01

## FIRES BRANCH FOR YARDS AND GARDENS

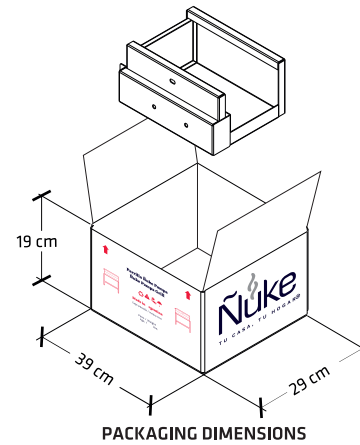


ÑUKE PAMPA GRILL

**Ñuke**  
Volver al Hogar

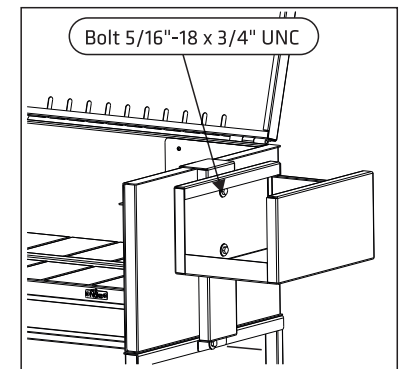
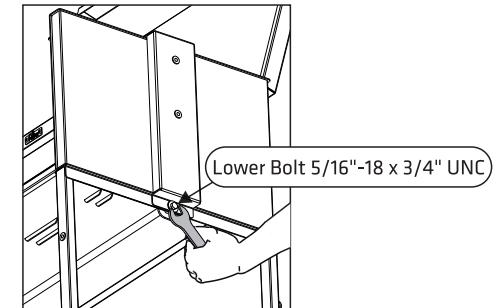
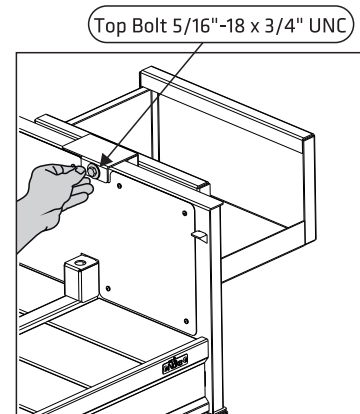
## ACCESSORIES NOT INCLUDED

You can also include as optional accessories for pampa grill, pampa stoker and protective cover.

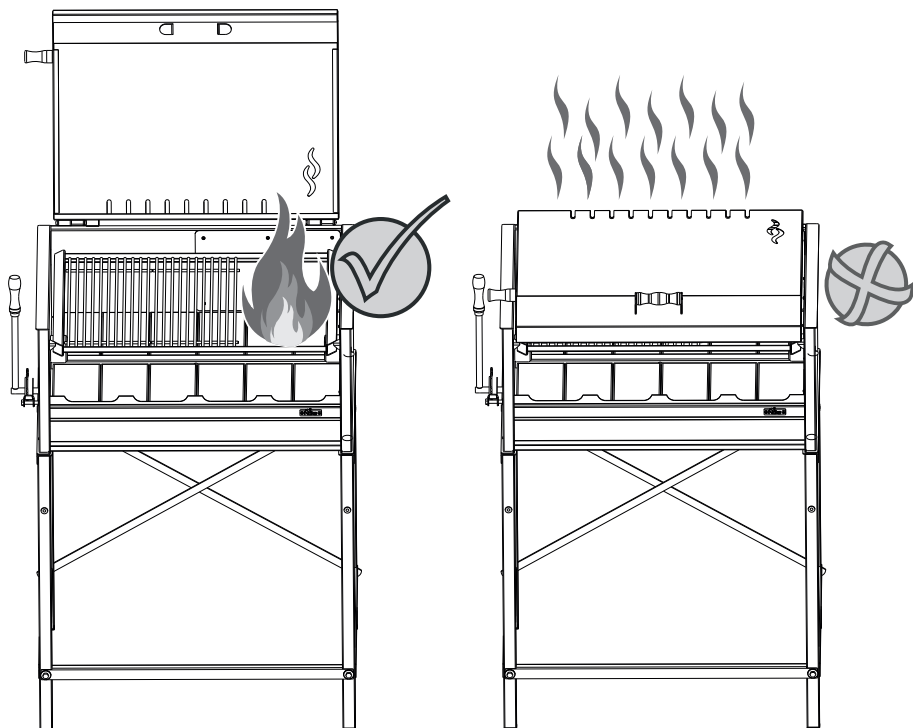


## STOKER INSTALLATION

The "PAMPA" Stoker is installed on the right side of your grill by means of its support fixed with two bolts, one upper and one lower.



## CARES



WE PROUDLY APPRECIATE YOUR PREFERENCE  
AND TRUST EVERYONE WE DO ÑUKE

WELCOME TO OUR FAMILY

**Ñuke**<sup>®</sup>  
Volver al Hogar

**REMEMBER!!! IMPORTANT**  
AT THE TIME OF STARTING THE FIRE, DO  
NOT CLOSE THE GRILL COVER, THE DIRECT  
FIRE WILL MAKE THE PAINTING DAMAGED.

4

Please report any defect to: [INFO@PRODUCTOSNUKE.COM.AR](mailto:INFO@PRODUCTOSNUKE.COM.AR)

## PRECAUTIONS

**BY IGNORING DANGEROUS WARNINGS  
WARNINGS AND PRECAUTIONS CONTAINED IN THIS MANUAL OF  
THE OWNER COULD RESULT IN SERIOUS BODILY INJURY OR DEATH,  
OR IN A FIRE OR EXPLOSION THAT CAUSES PROPERTY DAMAGE**



Security symbols will alert you to important information

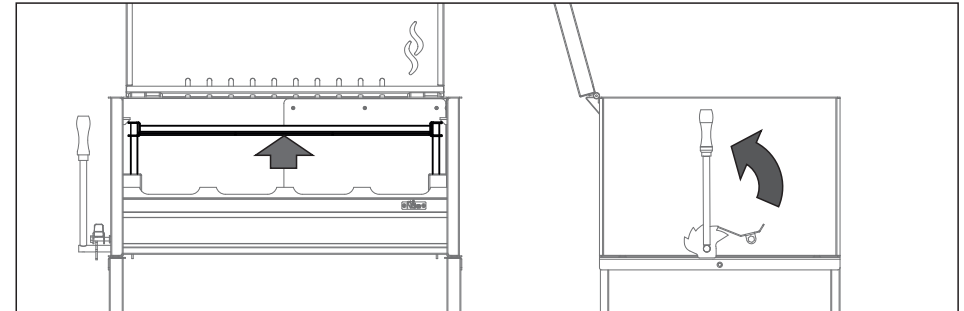


Read all safety information contained in this owner's guide before operating the grill.

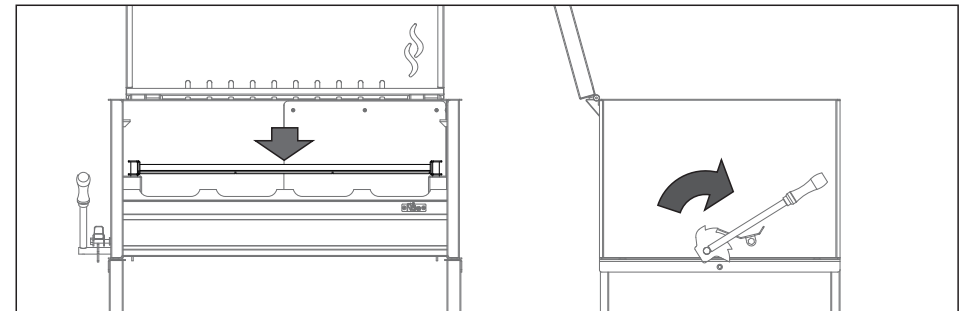
- ⚠ Do not use it inside the house. This grill should only be used outdoors. If used inside the house, smoke will accumulate causing serious bodily injury or death.
- ⚠ Do not leave babies, children or pets unattended near a hot grill.
- ⚠ Don't try to move the hot grill, Wait for the grill to cool before moving it. Never add lighter fluid or charcoal impregnated with it, to the coal already lit.
- ⚠ In case of using lighter liquid, after using it, cover the bottle and place it at a safe distance from the grill.
- ⚠ You must proceed carefully when operating your grill. It is hot while cooking and should never be left unattended while in use.
- ⚠ Do not remove the ashes until the coal has completely burned and is completely off and the grill is cold.
- ⚠ Keep the grill at all times on a safe and level surface, away from combustible materials.
- ⚠ Do not dispose of hot coals where they may be stepped on or represent a fire hazard.
- ⚠ Do not dispose of ashes or coals before they are completely extinguished.

## ELEVATION CONTROL

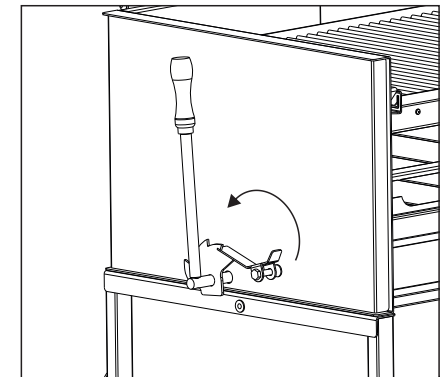
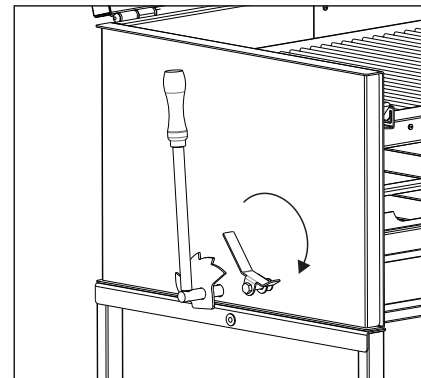
The PAMPA grill has a new lifting mechanism by cam. Therefore, it has a maximum and a minimum height.



Releasing the lock (fig) and placing the lever in an upright position, the frame will be completely raised, having a maximum height of 6.3 Inches

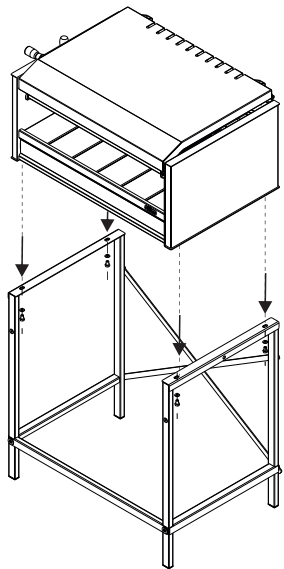


If you release the lock again, and bring the lever to a horizontal position, the frame will be fully retracted, having a minimum height of 2.36 Inches.





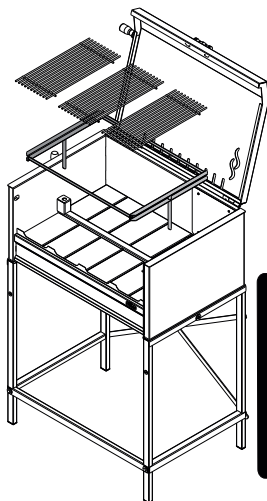
# GRILL ASSEMBLY



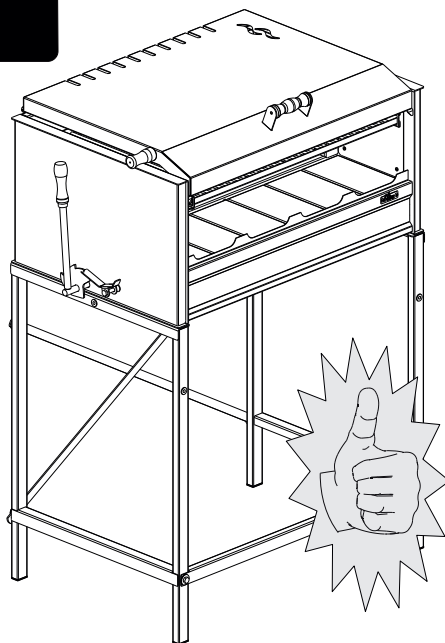
The grill is fixed to the base by means of 4 screws with washer at the bottom of it. At this time, you can adjust all bolts, so the grill will be stable and square.

⚠ If necessary remove the brick bricks and Stoker to relieve the grill

⚠ If necessary, require the help of a person to raise the grill to its base.

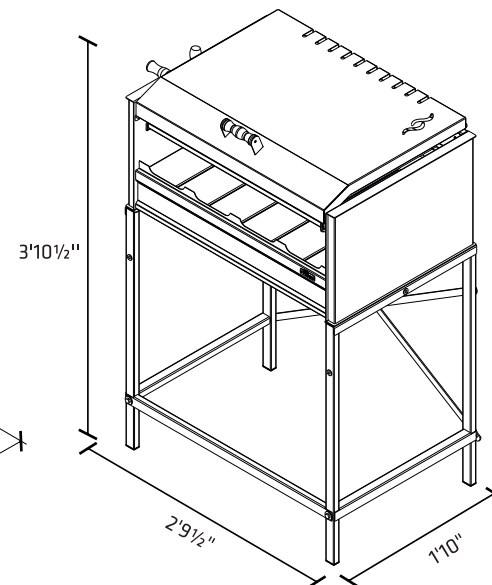
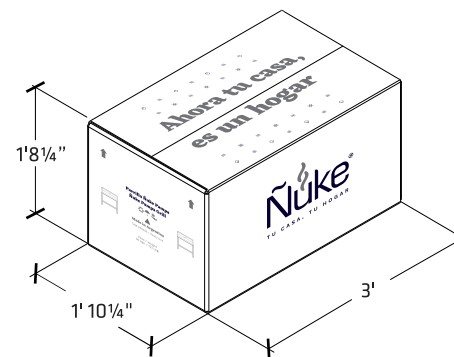
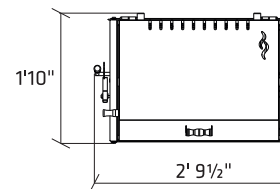
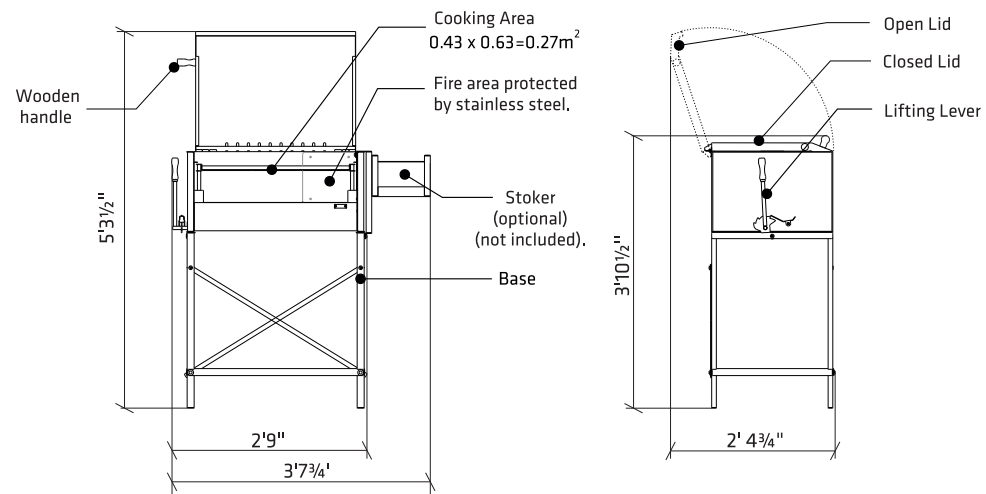


Place the frame in the holes designed for this purpose, taking care that the lower cam makes contact with the bars



# DIMENSIONS

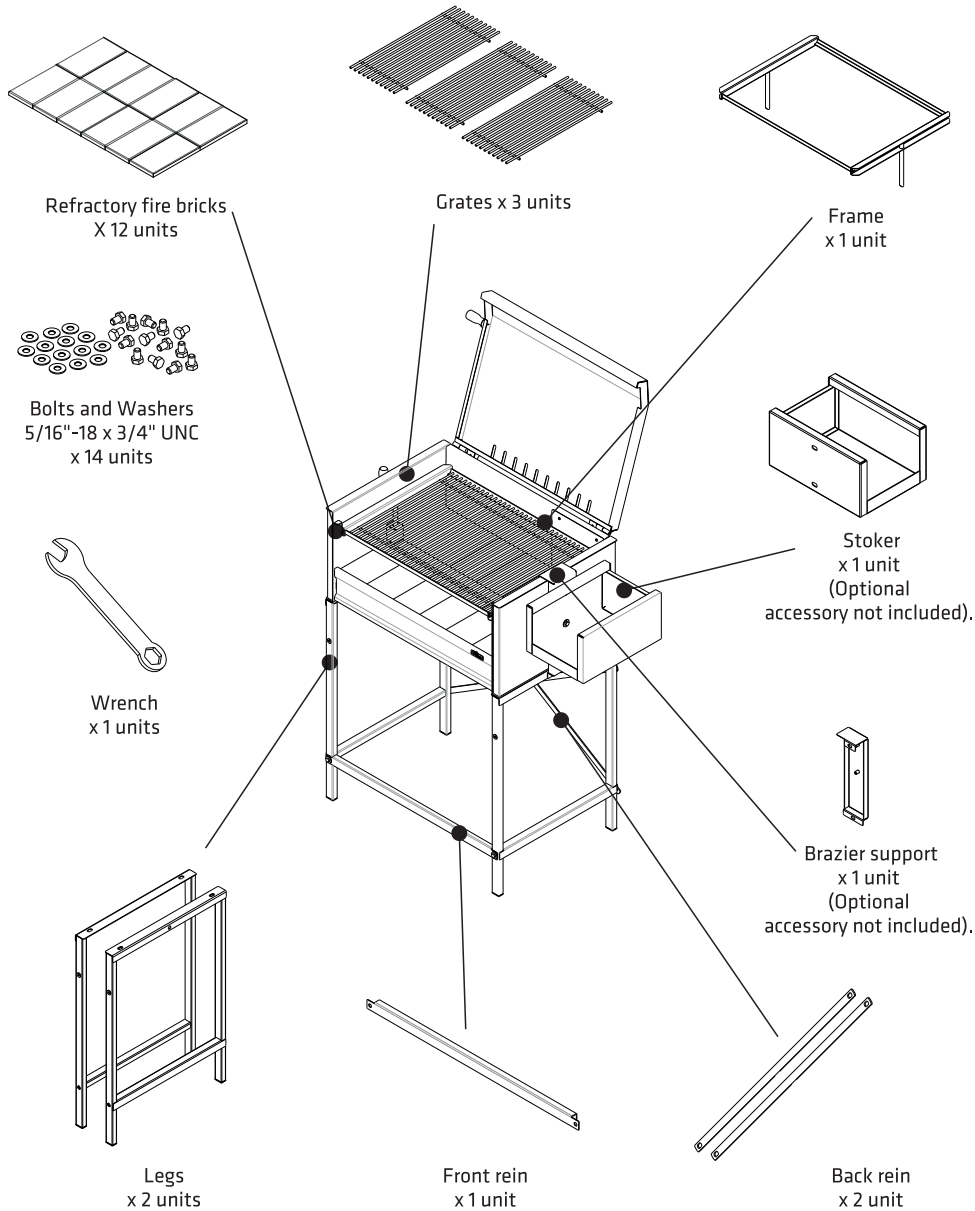
When using your PAMPA grill, consider the following dimensions



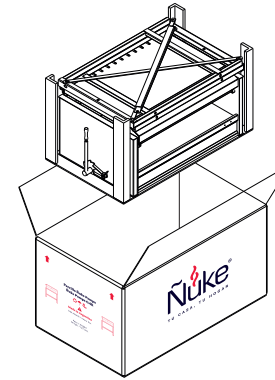
Packing Dimensions

# COMPONENTS

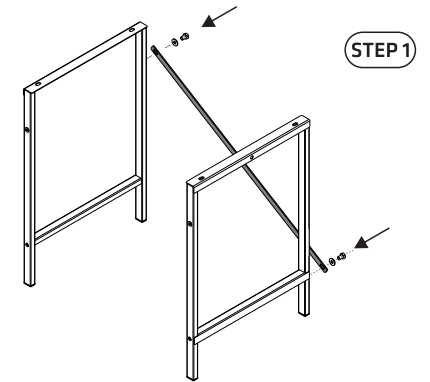
Inside the packaging of your grill, you will find.



# ASSEMBLY OF THE BASE

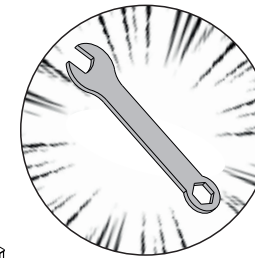


Remove the PAMPA grill from the box

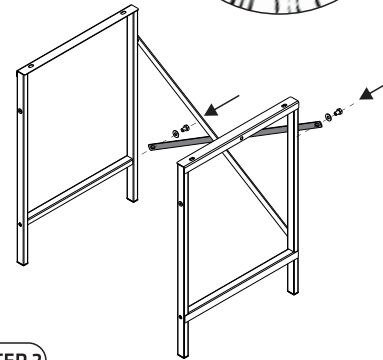


STEP 1

The first step in assembling the structure of the grill is to join the two sides by one of the reins in a crossed way.

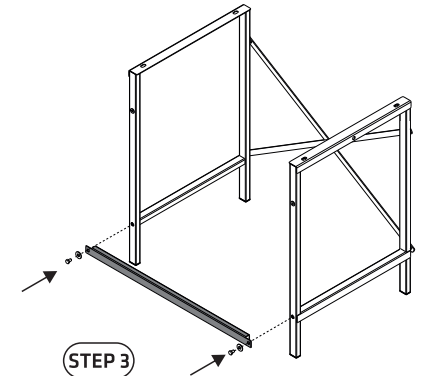


You will find a key/ wrench to make the necessary adjustments of the fasteners.



STEP 2

The second step is to join the two sides by means of the second rein, also in a crossed way. When screwing the bolts, remember to leave them somewhat loose.



STEP 3

The third step is to place the lower front rein. You will notice that there are two threaded holes in the side legs free of use. They were designed so you can build the structure in any way.