

## General Instructions



It is not unusual that upon using the grill for the first time, there may be an odor of burnt paint. This is a normal part of the paint curing process and is rarely to repeat itself in the future.



Remember never to touch any metal surfaces of the grill while it is in use, as it can produce severe burns.

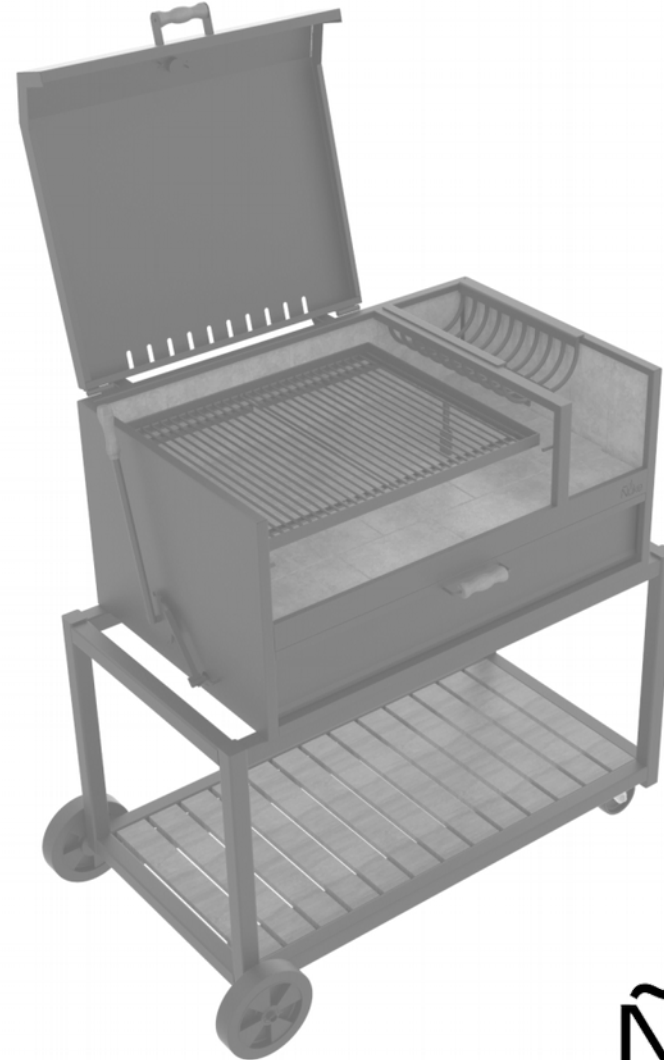


It is best to store the grill unit in a dry place, moisture may result in oxidization.

Nuke

80-005-007 MNL-DELTA REV: 01

## DELTA GRILL



Nuke

All of us at Nuke appreciate your choice of our product  
and the trust you place on us.

WELCOME TO THE NUKE FAMILY!



**IGNORING THE NOTICE AND WARNINGS OF POTENTIAL HAZARDS CONTAINED IN THIS OWNER'S MANUAL MAY RESULT IN SERIOUS PERSONAL INJURY UP TO AN INCLUDING DEATH, OR POTENTIALLY CAUSE FIRE OR EXPLOSION THAT MAY CAUSE PROPERTY DAMAGE.**



The security symbols (  ) will alert you to important information.



Read all safety information contained in this Owner's Guide before operating the grill.



Do not use grill for indoor cooking. This grill must only be used outdoors. If used indoors, toxic carbon monoxide fumes can accumulate and cause asphyxiation.



Do not leave grill unattended. Keep children and pets away from grill at all times.



Do not touch metals part of grill until they have completely cooled to avoid burns, unless you are wearing protective gear (pot holders, gloves, BBQ mittens, etc).



Never use charcoal that has been pre-treated with lighter fluid. Use only a high grade plain charcoal, charcoal/wood mixture, lump charcoal or cooking wood.



Do not remove the ashes until the charcoal has burned completely and the grill has cooled off.



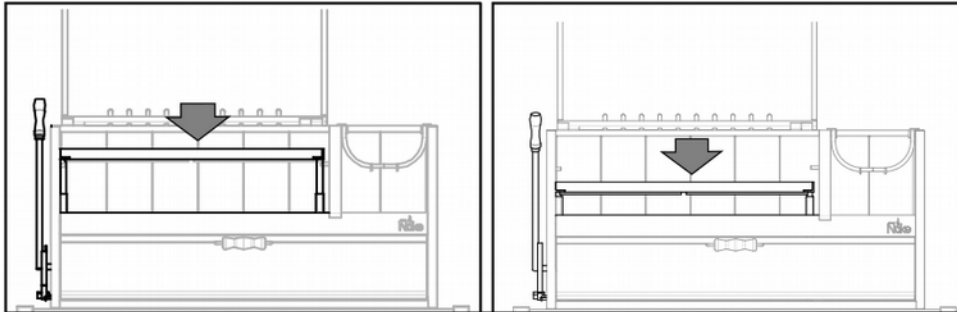
Keep the grill at all times on a safe and level surface, away from combustible materials.



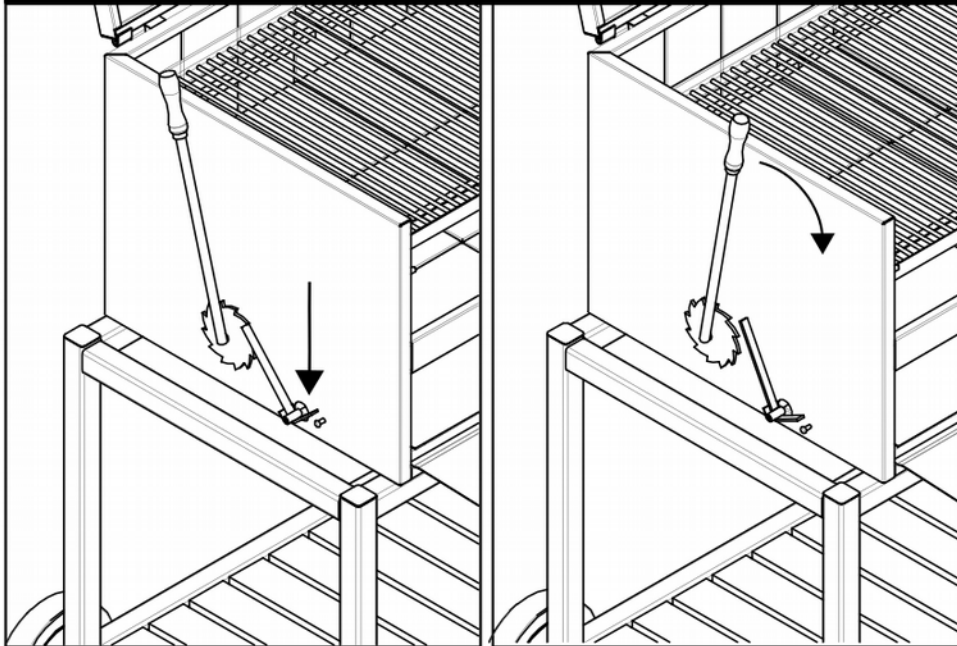
Do not discard hot coals where they could cause injury or pose a fire risk.

## ASSEMBLY

### Grill height control



Lower the lock and the grill will descend. With the side handle, adjust the height of the grill until reaching the desired height, for your desired cooking



To build your grill follow the instructions below.

**i** The body of your grill comes mounted on its base. To assemble it follow the instructions indicated in this user manual.

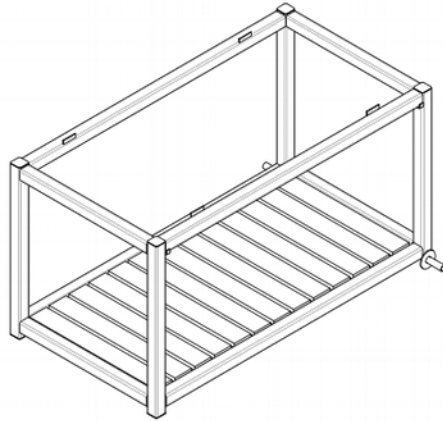
- 1 Remove the square removable spout from the base as shown in (picture 2)
- 2 Once you have removed the spout, slide the grill until it is completely removed from the base.

**!** When moving your grill keep in mind that it is a heavy piece of equipment, request help from others if needed, to avoid injuries.

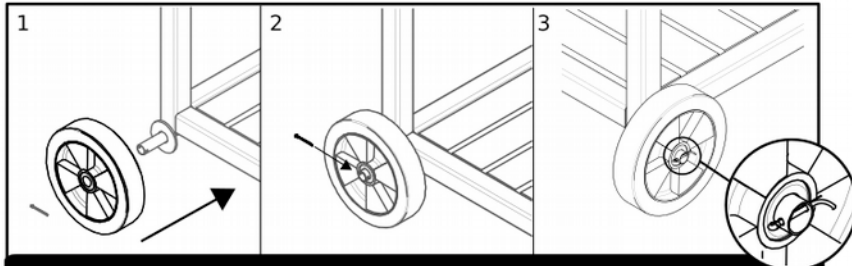
**lbs.**  
121 lbs.

## ASSEMBLY

**i** Once the grill has been removed from the base, attach the fixed and rotating wheels, as described below.

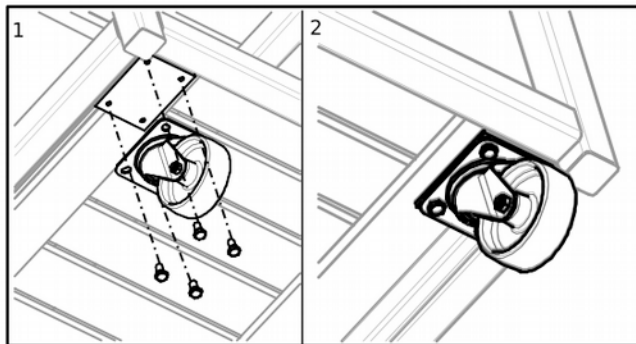


Placement of fixed wheels.



**i** Place the fixed wheels on the shaft as shown in image 1-2. Then insert the lock in the shaft hole. Once the lock is in place, fold it as shown in figure 3, to ensure it remains properly attached.

Placement of rotating wheels



**i** Position the rotating wheels by fastening them with the 5/8" bolts to the base plate of the grill.

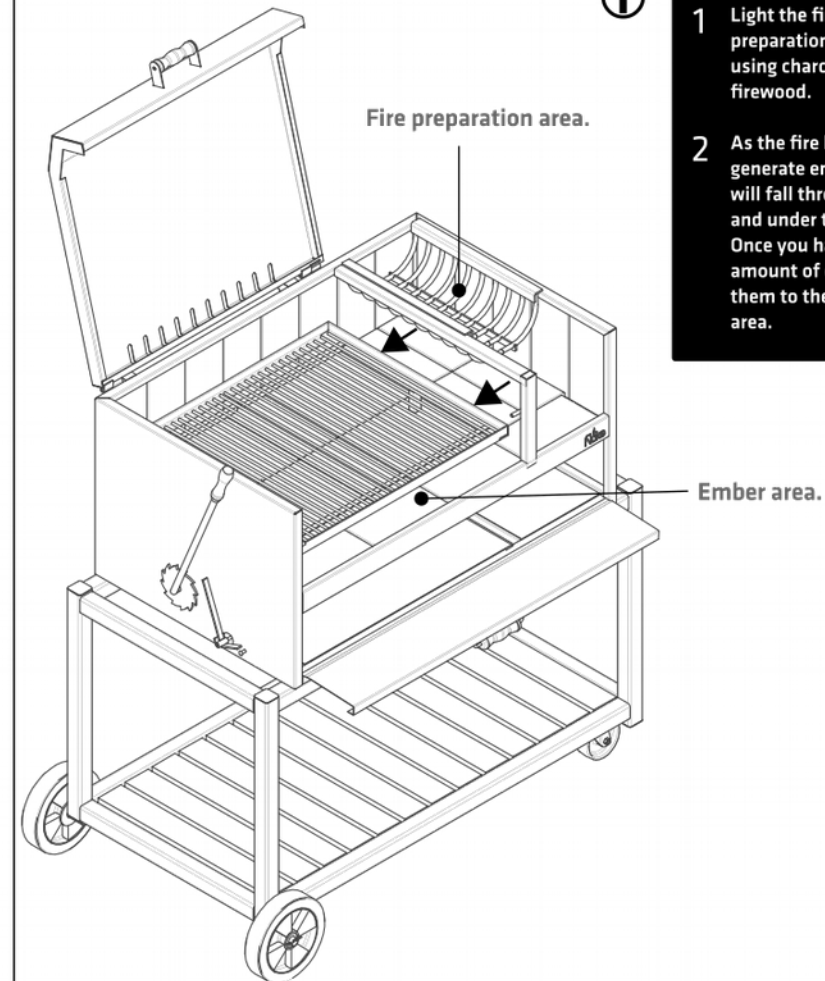
## FUNCTIONING

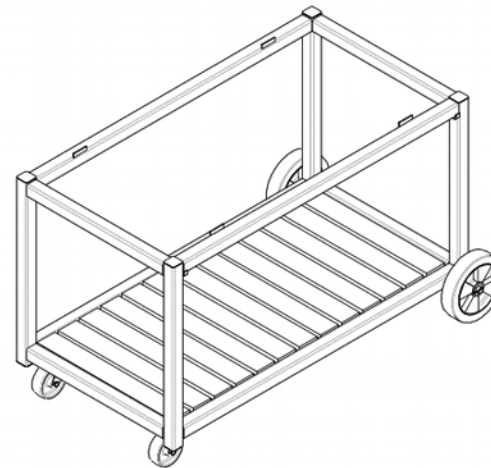
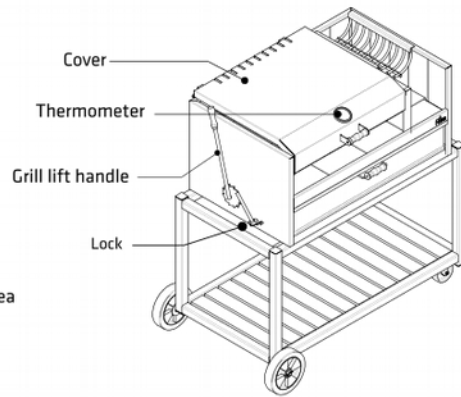
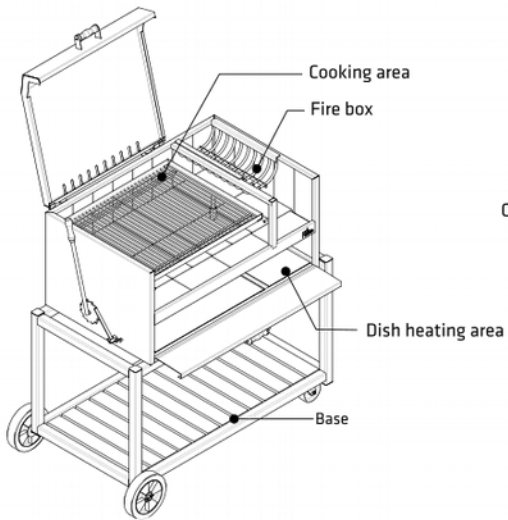
To guarantee the correct operation of your grill, follow the instructions indicated below.

### Starting the fire

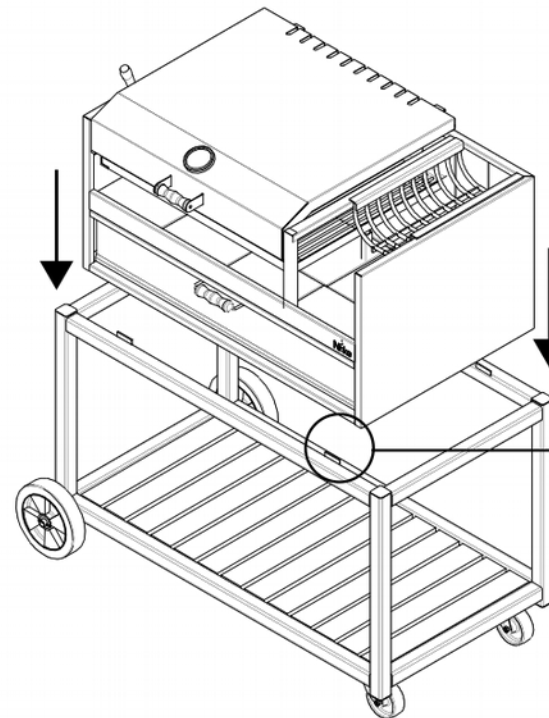
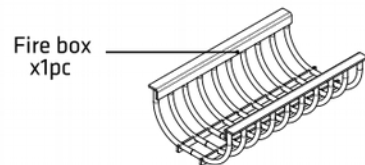
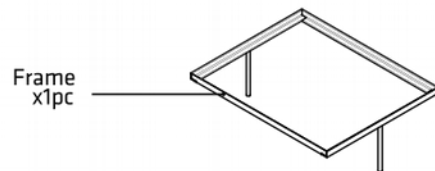
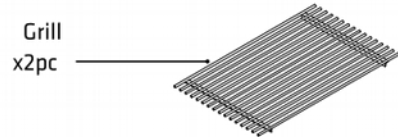
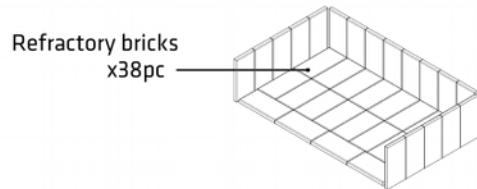
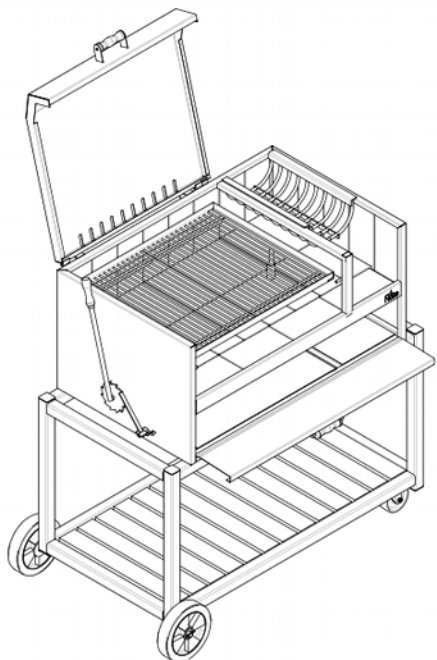



- 1 Light the fire in the fire preparation area by using charcoal or a soft firewood.
- 2 As the fire begins to generate embers they will fall through the grill and under the stoker. Once you have a good amount of embers, drag them to the embers area.




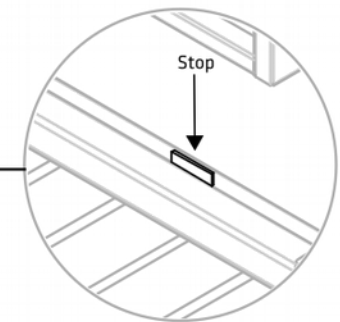


- 1 Once the base is assembled with its wheels, place the body of the grill on the base.
- 2 Make sure that the base is firm between the tops of the base to prevent the body from moving during the transfer of the grill.



 When moving your grill keep in mind that it is a heavy piece of equipment, perform the task with help from others to avoid injuries.

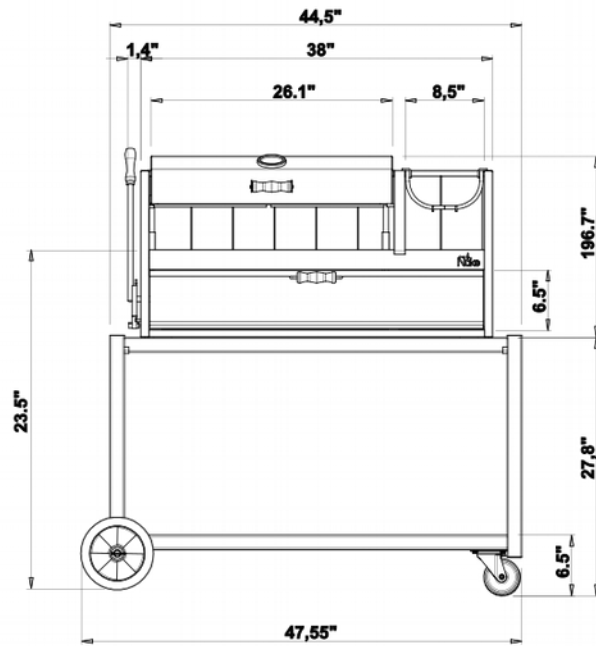
 **lbs.**  
121 lbs.



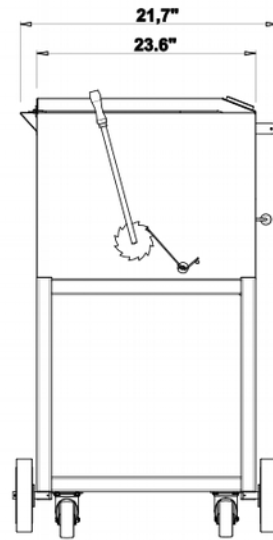
## DIMENSIONS

## COMPONENTS

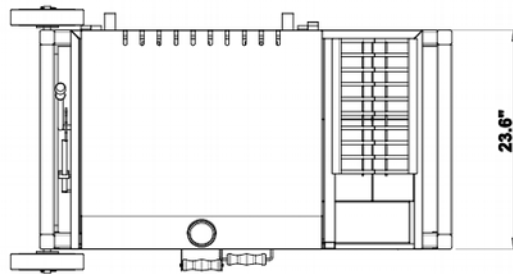
When using your grill, take the following dimensions into account.



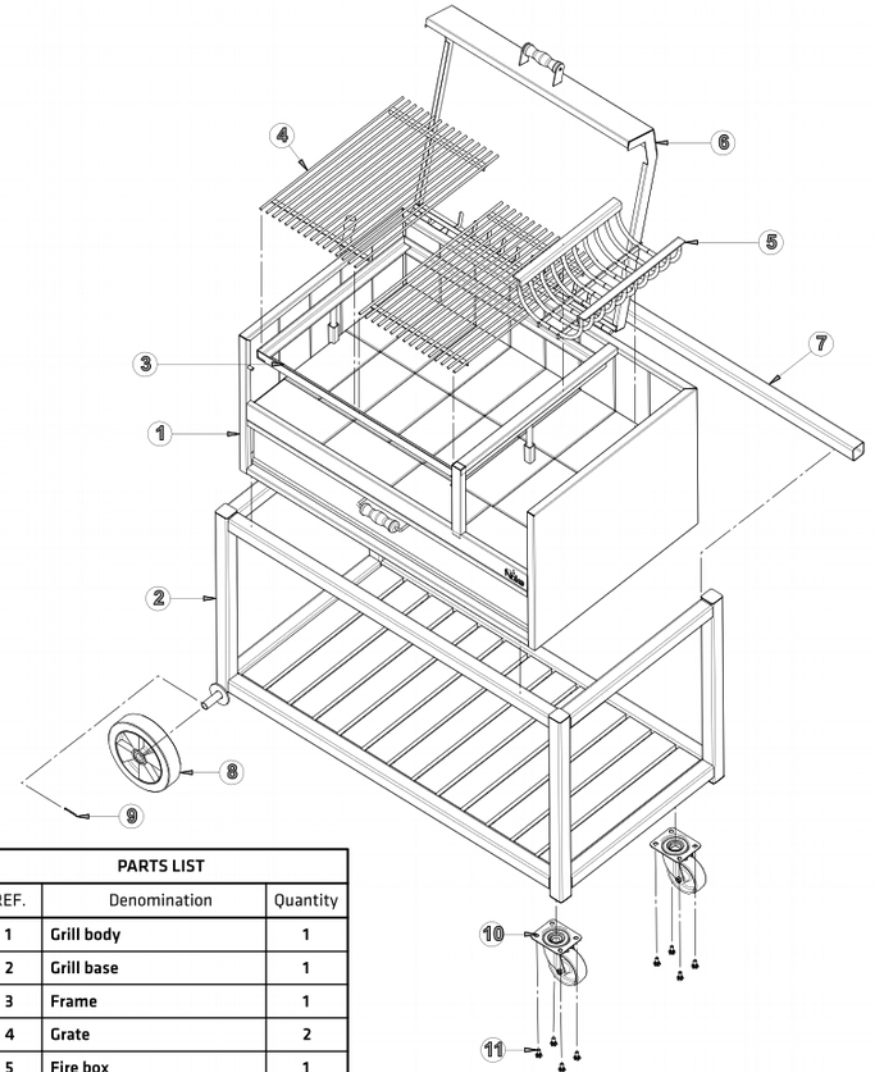
Legth



Depth



Heigth



PARTS LIST		
REF.	Denomination	Quantity
1	Grill body	1
2	Grill base	1
3	Frame	1
4	Grate	2
5	Fire box	1
6	Top	1
7	Square removable spout	1
8	Fixed wheel	2
9	Pin	2
10	Rotating wheel	2
11	Screw 5/16"	8