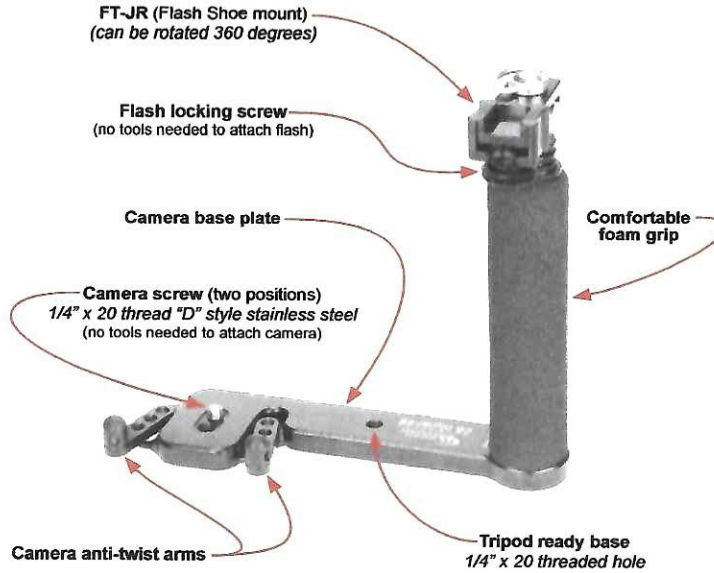
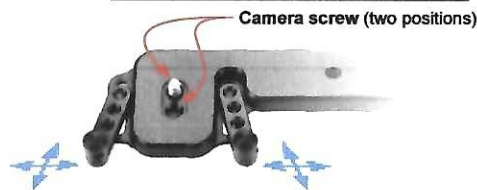


## Features and Accessories



### Camera mounting instructions



#### **Choosing the camera position**

The camera plate has two (2) camera position screw holes for positioning the camera.

#### **Choosing the front or back hole**

Depends on anti-twist arms positioning.

#### **Setting the camera anti-twist**

Once the camera is positioned, adjust the two (2) camera anti-twists to contact the front of the camera.



The anti-twist arm (with post) arm has three threaded holes and the camera plate has a slot. Only use the back threaded hole. Where the anti-twist post makes contact to the camera is the photographer's preference.

Tighten the two (2) camera anti-twist screws located on the bottom side of the camera plate using the 1/8" Allen wrench provided with the bracket.

*The camera screw has some play in the screw hole. Make sure camera and camera screw are pushed forward. This will insure the best anti-twist for the camera.*