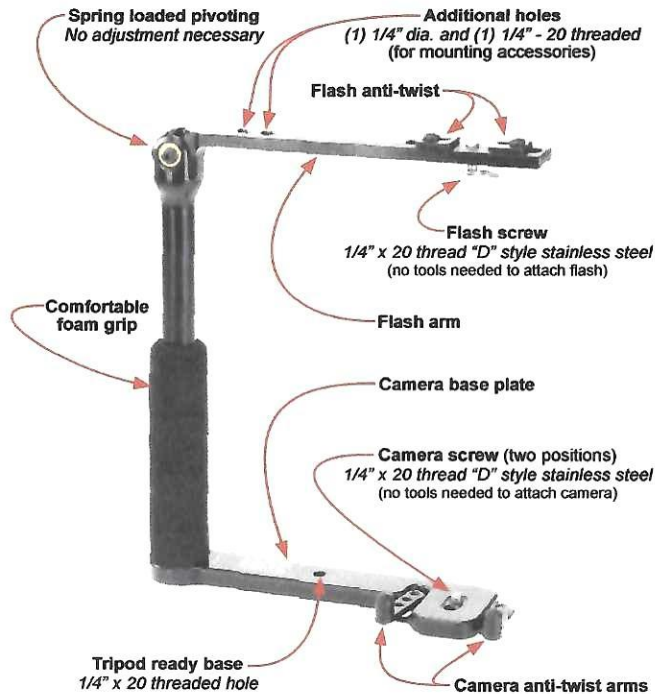


# Features and Accessories

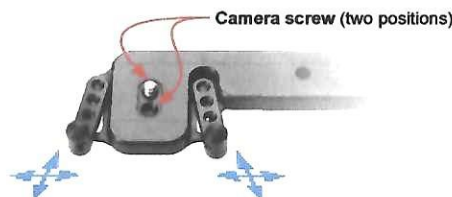


## Optional Item (sold separately)

**WFM-1 Locking shoe mount with anti-twist**  
 (for wireless operation, flashes or cords without 1/4" x 20 thread)



## Camera mounting instructions



### Choosing the camera position

The camera plate has two (2) camera position screw holes for positioning the camera.

### Choosing the front or back hole

Depends on anti-twist arms positioning.

### Setting the camera anti-twist

Once the camera is positioned, adjust the two (2) camera anti-twists to contact the front of the camera.



The anti-twist arm (with post) arm has three threaded holes and the camera plate has a slot. Only use the back threaded hole. Where the anti-twist post makes contact to the camera is the photographer's preference.

Tighten the two (2) camera anti-twist screws located on the bottom side of the camera plate using the 1/8" Allen wrench provided with the bracket.

The camera screw has some play in the screw hole. Make sure camera and camera screw are pushed forward. This will insure the best anti-twist for the camera.

## Flash anti-twist instructions

Canon off-camera cord II,  
 Canon Cord 3, Nikon SC-17  
 (first time installation)

- 1- Attach cord with screw  
 (do not tighten completely)
- 2- Slide one anti-twist to cord  
 (tighten anti-twist screw)
- 3- Slide other anti-twist to cord  
 (tighten anti-twist screw)
- 4- Tighten flash screw to cord

Nikon SC-28, SC-29 Cords  
 (first time installation)

- 1- Attach cord (reversed) with screw  
 (do not tighten completely)
- 2- Slide left anti-twist to cord  
 (tighten anti-twist screw)
- 3- Remove cord and install (normal)
- 4- Slide right anti-twist to cord  
 (tighten anti-twist screw)
- 5- Tighten flash screw to cord