

Kit Contents

Description	Part No	Pcs
Bracket-frame	02272-25	1
Bracket-triple clamp	02270-38	1
Clamp-fork leg	02235-20	1
Sleeve 6/14/15	02239-01	1
Sleeve 8.5/13.5-14	61123-10	1
Spacer 18/13.3/1.5	02259-01	1
Washer 6.4/18/1.6	00426-04	1
Screw M6x25	05404-06	1
Screw M8x25	05404-14	2
Screw M6x20	01046-16	2
Screw M6x25	01046-17	1
Screw M8x50	01046-25	1

Note!

Please note that this image is a general representation of the product and may differ slightly from your product.

Note!

Please note that during storage and transportation, especially at high ambient temperature, some of the oil and grease used for assembling may leak and stain the packaging. This is in no way detrimental to the product, wipe off the excessive oil/grease with a cloth.

Note!

Before installing this product, check the contents of the kit. If anything is missing, please check an Öhlins dealer.

Warning!

Before installing this product, read the Öhlins Owner's Manual. This product is an important part of your vehicle and will affect the stability.

Steering damper brackets kit for Yamaha R25/R3

- To be used with SD 000 -

SD 053

Mounting Instructions

MOUNTING INSTRUCTIONS

⚠ Warning!

It is advisable to have an Öhlins dealer install this product.

⚠ Warning!

If working on a raised vehicle, ensure it is securely supported so that it will not tip over.

👁 Note!

Before mounting this product clean the vehicle thoroughly.

👁 Note!

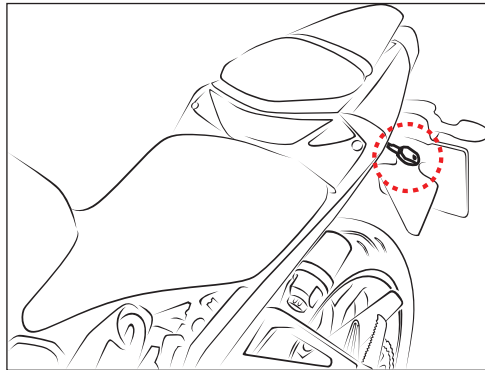
When working on this product, always see the Vehicle Service Manual for vehicle specific procedures and important data.

1

Put the motorcycle on a work stand so that the front wheel barely touches the ground.

2

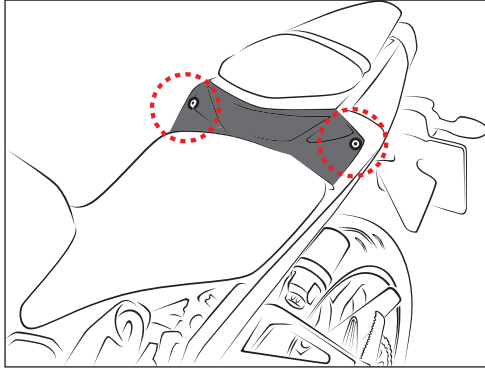
Use the ignition key to unlock the passenger seat.



MOUNTING INSTRUCTIONS

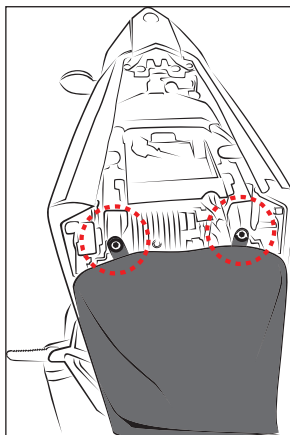
3

Remove the fairing by removing the 2 screws.



4

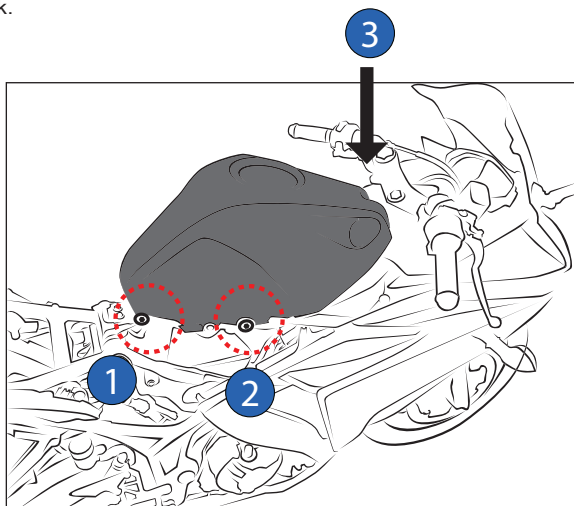
Remove the front seat, by removing the 2 screws.



MOUNTING INSTRUCTIONS

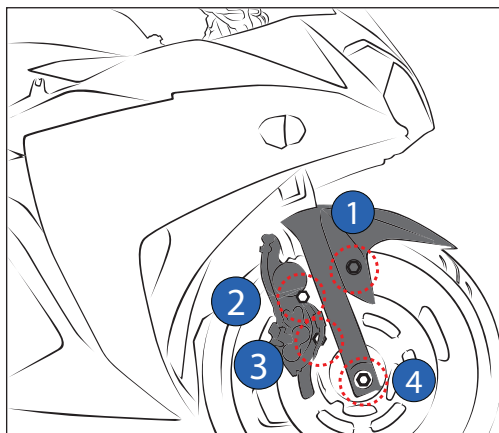
5

Remove the fuel tank cover, by removing the 5 screws 1, 2 (including another side) and 3, which is in front of the fuel tank.



6

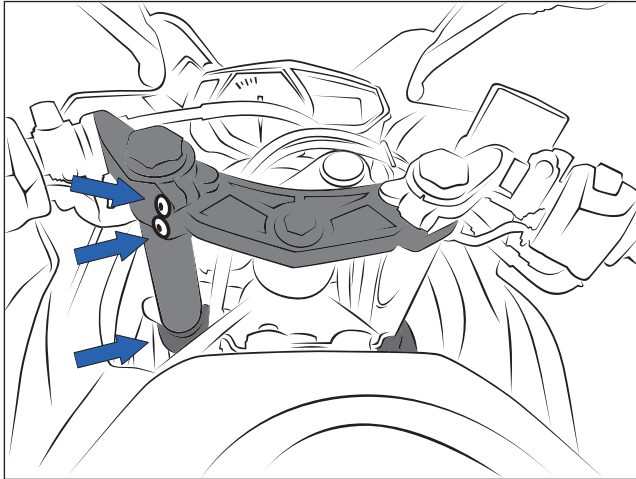
Remove the screws 1,2,3,4 (wheel axle) in order to remove the wheel, caliper and the front mud guard.



MOUNTING INSTRUCTIONS

7

Loosen the handlebar and triple clamp screws
in order to slide down the left fork leg.



MOUNTING INSTRUCTIONS

8

Install the clamp fork leg(02235-20) (don't tighten yet) to the left-front fork, then lift the left-front fork to the initial position. Tighten the bottom triple clamp at torque value as specified on service manual.

9

Assy the brackets and steering damper according to diagram P1

10

Adjust the steering damper by letting it slide in its bracket assembly so that the steering damper uses similar stroke both ways.

11

Set the damper to the recommended set-up. See set-up data for adjusting on the next page.

12

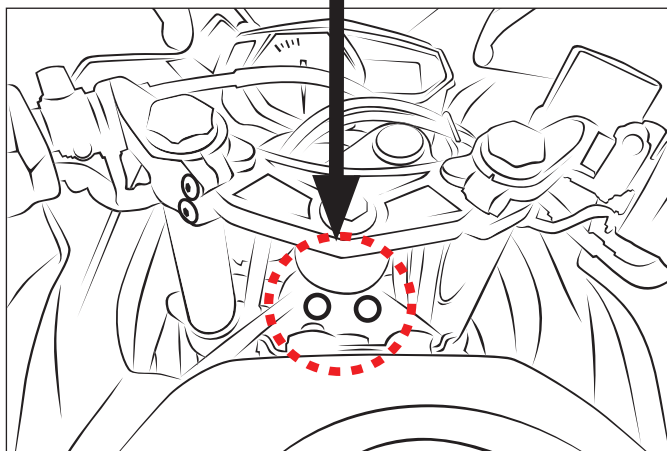
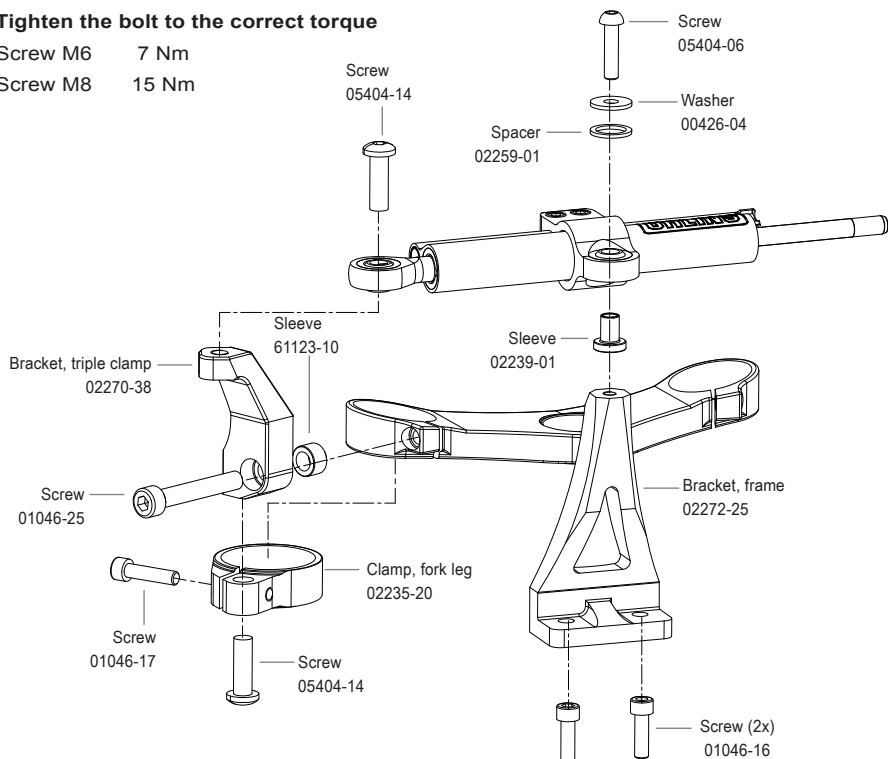
Refit all the parts in reverse order.

MOUNTING INSTRUCTIONS

Tighten the bolt to the correct torque

Screw M6 7 Nm

Screw M8 15 Nm



P 1

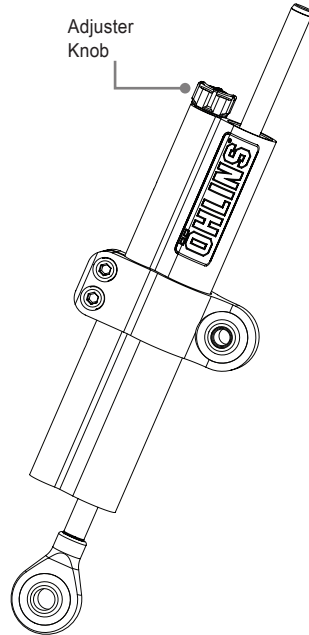
RECOMMENDED SETTING FOR SD 000


Warning!

Before riding, always make sure that the basic settings made by Öhlins are according to recommended Set-up Data. Read about adjustments and setting up in the Öhlins Owner's Manual before you make any adjustments. Contact an Öhlins dealer if you have any questions about setting up.

SET-UP DATA

Recommended set-up 10 Clicks



 Öhlins products are subject to continuous improvement and development, therefore, although these instructions include the most up-to-date information available at the time of printing, minor updates may occur.

To find the latest information contact an Öhlins distributor. Please contact Öhlins if you have any questions regarding the contents in this document.

Part no. MI_SD 053_EN_0
Issued 2017-05-25

© Öhlins Asia Co. Ltd. All rights reserved. Any reprinting or unauthorized use without the written permission of Öhlins Racing AB is prohibited.

Öhlins Asia Co. Ltd
700/937 Moo5, Tambol Nongkhaga,
Amphur Phantong, Chonburi Province
20160 Thailand



www.ohlins.com