

Il montaggio del prodotto deve essere eseguito da personale specializzato. - The mounting of the product it must be realized from skilled personnel.

- ITA CNC RACING si riserva il diritto, a sua esclusiva discrezione, di apportare modifiche al prodotto e a queste informazioni in qualsiasi momento e senza preavviso.

Use of the Products, usage precautions and disclaimer.

The Products covered by the purchase/sales contract concluded between the parties and, in general, all the Products manufactured and/or marketed by the Vendor are products intended for competitive use exclusively in private spaces. Any use of the Products on motor vehicles intended to be used on public roads requires prior registration with the competent authorities. By accepting these Conditions of Sale, the Customer declares to be well aware of the above circumstances, to expressly accept them and to have understood the risk involved in violating the precautions indicated above. In any case, should the Customer violate the precautions regarding the use of the Products indicated above, by using the Products for a use other than racing, the Vendor declines any liability for anything that might happen to the Customer for any reason whatsoever.

- ENG CNC RACING reserves the right, in its sole discretion, to modify the product and this information at any time without prior notice.

Use of the Products, usage precautions and disclaimer.

The Products covered by the purchase/sales contract concluded between the parties and, in general, all the Products manufactured and/or marketed by the Vendor are products intended for competitive use exclusively in private spaces. Any use of the Products on motor vehicles intended to be used on public roads requires prior registration with the competent authorities. By accepting these Conditions of Sale, the Customer declares to be well aware of the above circumstances, to expressly accept them and to have understood the risk involved in violating the precautions indicated above. In any case, should the Customer violate the precautions regarding the use of the Products indicated above, by using the Products for a use other than racing, the Vendor declines any liability for anything that might happen to the Customer for any reason whatsoever.

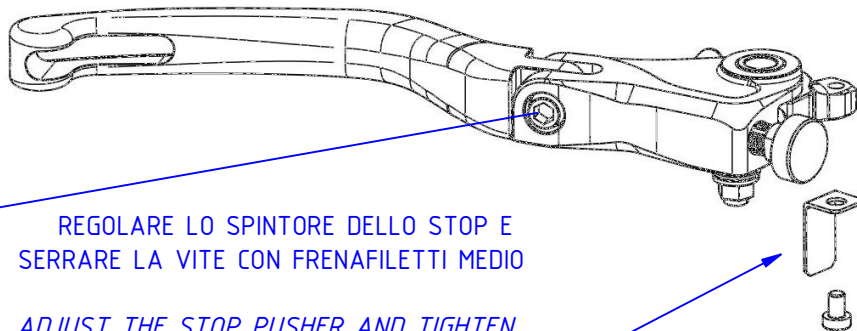
La parte mobile deve essere mantenuta in posizione serrando fortemente la vite.

The mobile part must be kept in position tightening the screw tightly

ATTENZIONE / CAUTION

Controllare dopo il montaggio e dopo ogni utilizzo che la ruota non rimanga frenata

After fitting and after each use must check that the wheel does not remain braked



REGOLARE LO SPINTORE DELLO STOP E
SERRARE LA VITE CON FRENAFILETTI MEDIO

ADJUST THE STOP PUSHER AND TIGHTEN
THE SCREW WITH MEDIUM THERADLOCKER

CNC RACING

LBR**