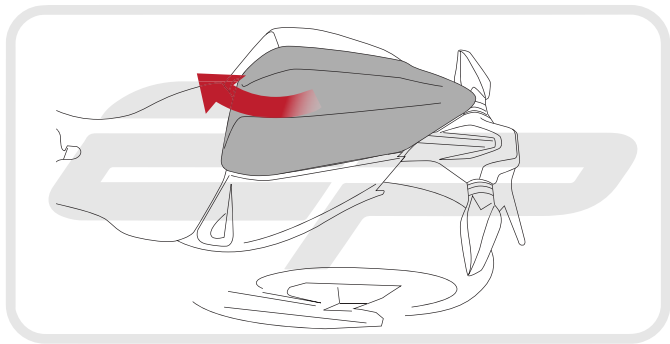


DUCATI PANIGALE 2012 ONWARDS TAIL TIDY

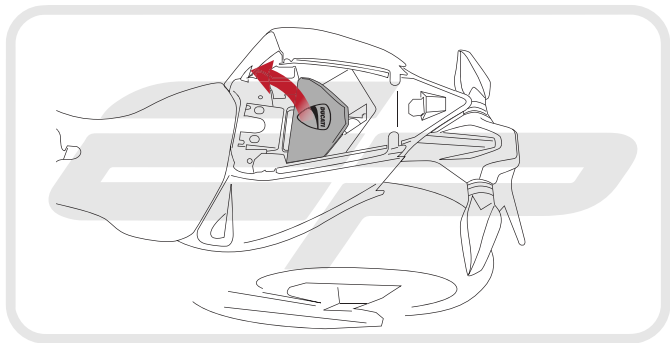
Product Reference - 10046

Kit Contents

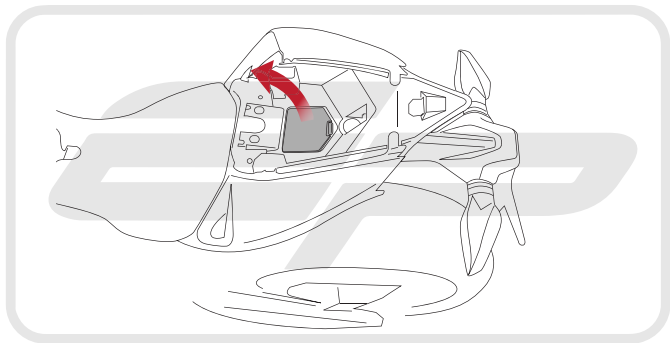
- | | |
|--|---|
| A 1 x Main Tail Tidy | J 1 x M4 - 10 Socket Button Screw |
| B 1 x Sealing Plate | K 2 x Short Spacers |
| C 1 x Clamping Bracket | L 2 x Long Spacers |
| D 1 x LED Bracket | M 2 x Male Bullet Connectors |
| E 1 x LED Light Unit | N 1 x Plate Light Wiring Connector |
| F 1 x Reflector Bracket | O 2 x Plastic Screws |
| G 1 x Reflector | P 2 x Plastic Nuts |
| H 1 x M6 Flange Nut | Q 5 x M5 - 10 Socket Button Heads |
| I 1 x M5 - 12 Socket Button Screw | R 6 x Cable Ties |



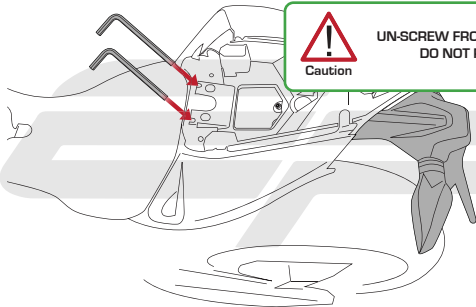
EVOTECH[®]
P E R F O R M A N C E



EVOTECH[®]
P E R F O R M A N C E

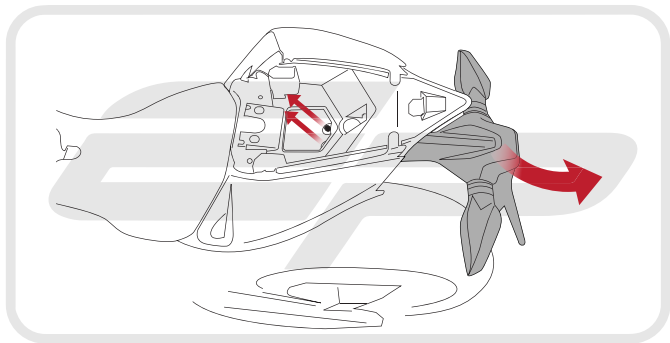


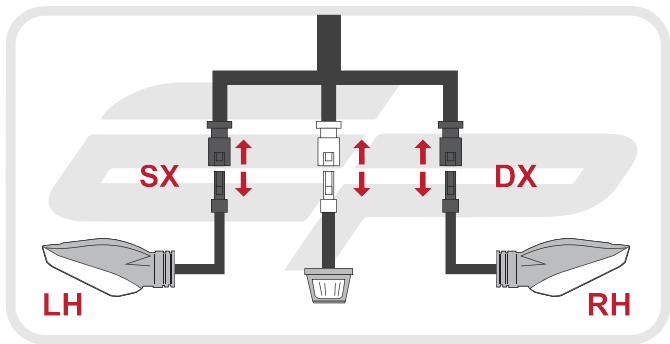
EVOTECH[®]
P E R F O R M A N C E

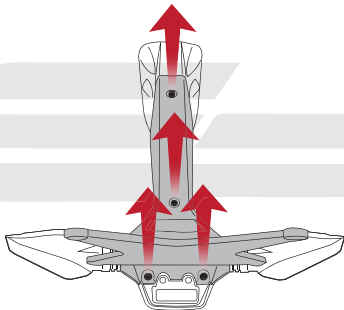


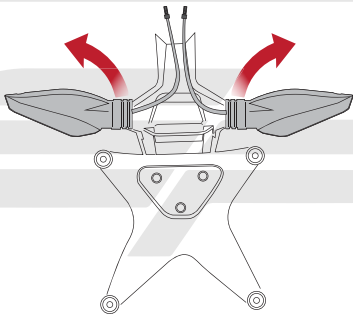
Caution

UN-SCREW FRONT BOLTS BUT
DO NOT REMOVE

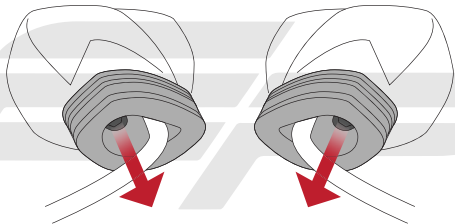








EVOTECH[®]
P E R F O R M A N C E

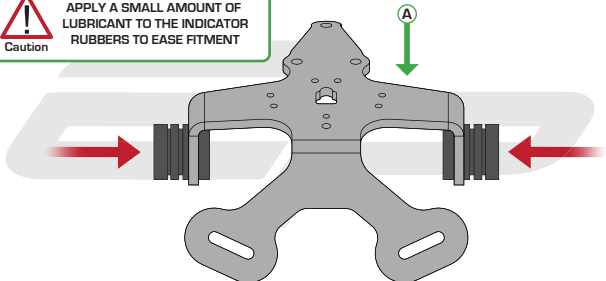


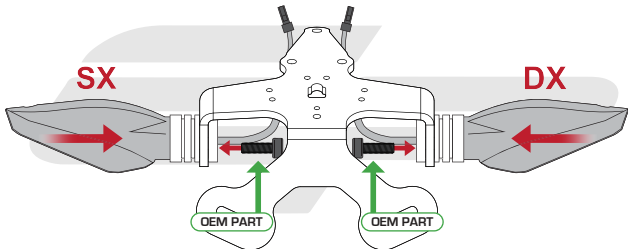
EVOTECH[®]
P E R F O R M A N C E

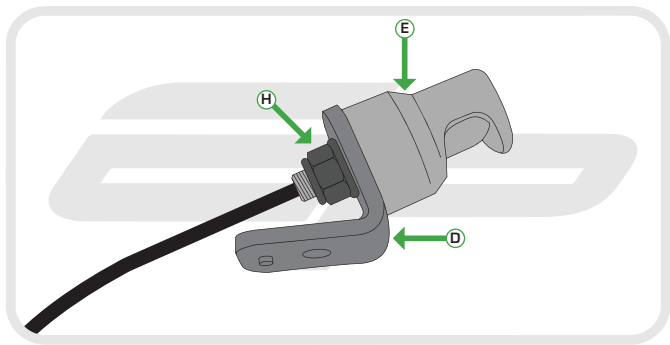


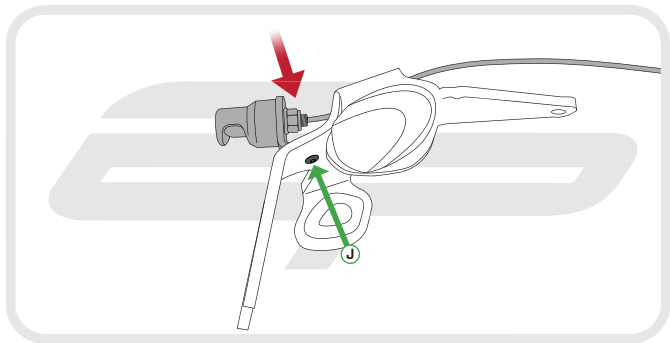
Caution

APPLY A SMALL AMOUNT OF
LUBRICANT TO THE INDICATOR
RUBBERS TO EASE FITMENT

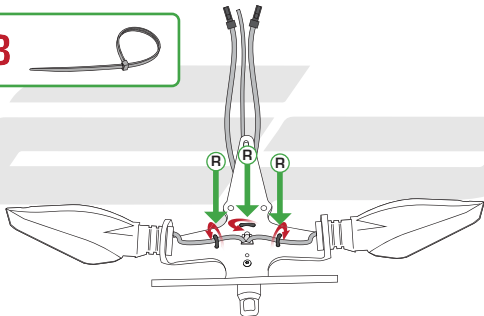


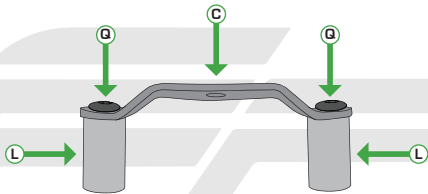




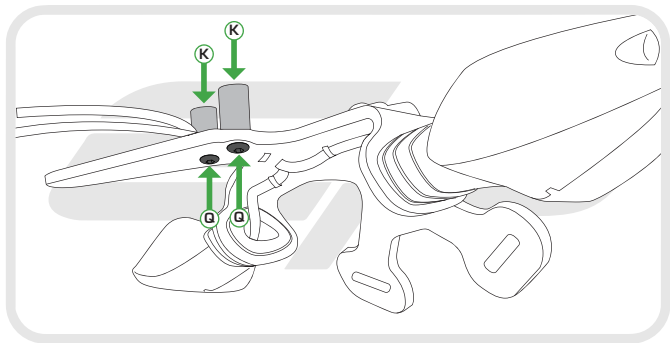


EVOTECH[®]
P E R F O R M A N C E

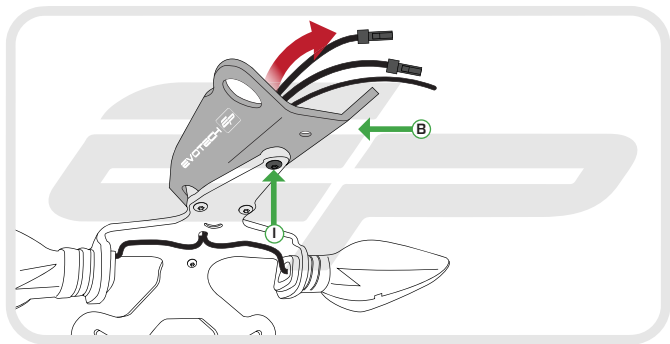
x3



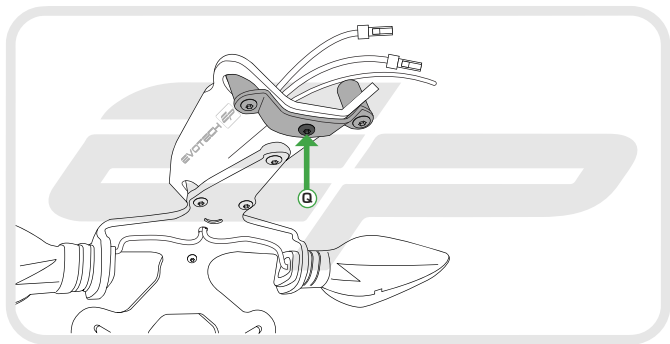
EVOTECH[®]
P E R F O R M A N C E



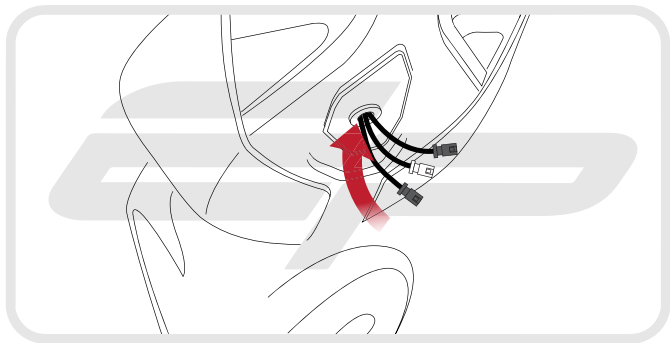
EVOTECH[®]
P E R F O R M A N C E

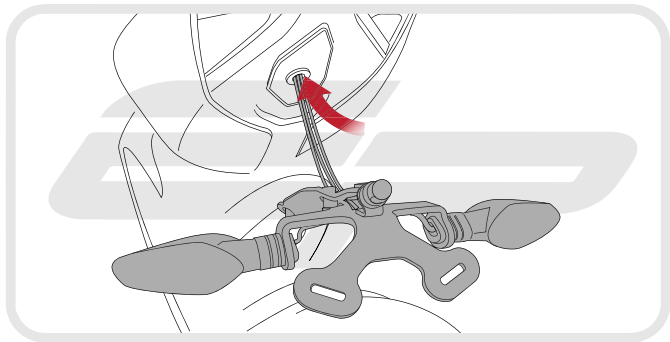


EVOTECH[®]
P E R F O R M A N C E



EVOTECH[®]
P E R F O R M A N C E

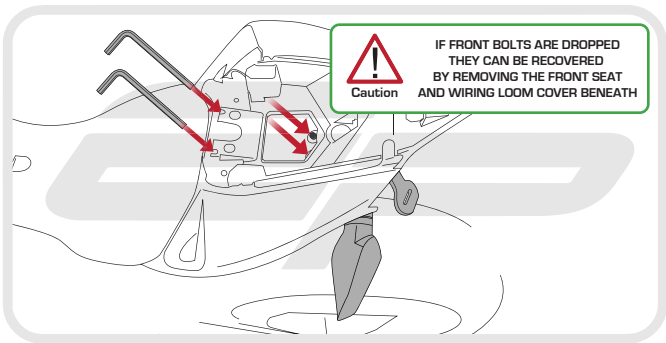


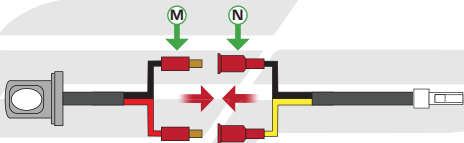




Caution

IF FRONT BOLTS ARE DROPPED
THEY CAN BE RECOVERED
BY REMOVING THE FRONT SEAT
AND WIRING LOOM COVER BENEATH

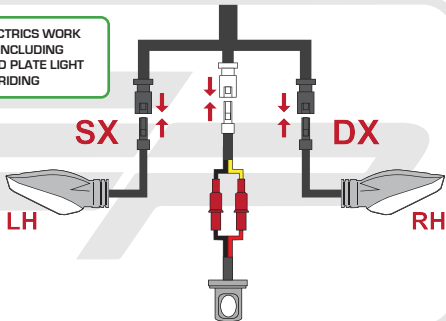






Caution

CHECK ALL ELECTRICS WORK
CORRECTLY, INCLUDING
INDICATORS AND PLATE LIGHT
BEFORE RIDING





Reverse Stages

3,2,1