

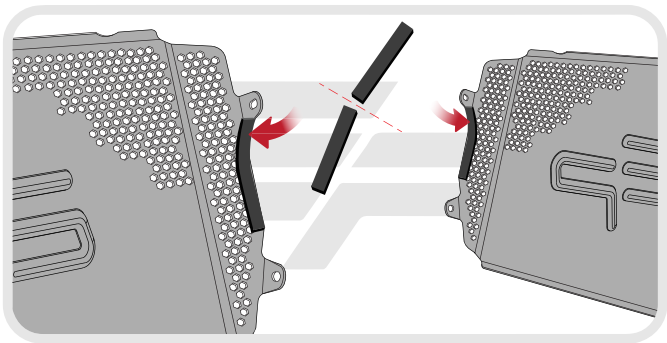


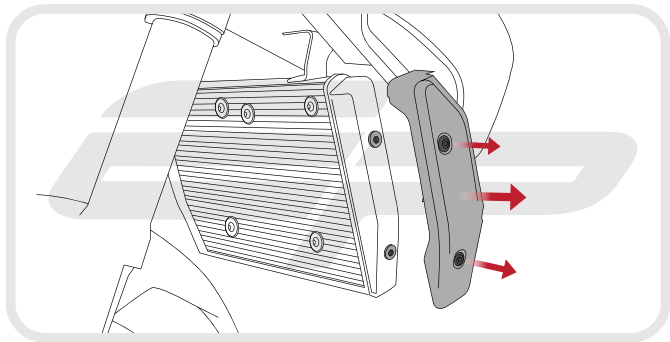
## DUCATI HYPERSTRADA / HYPERMOTARD 2013 RADIATOR GUARD

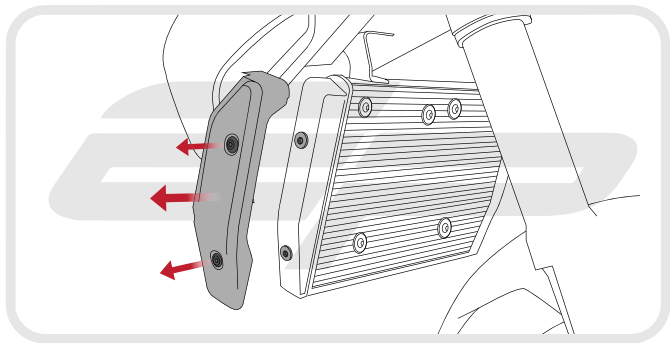
**Product Reference - 10929**

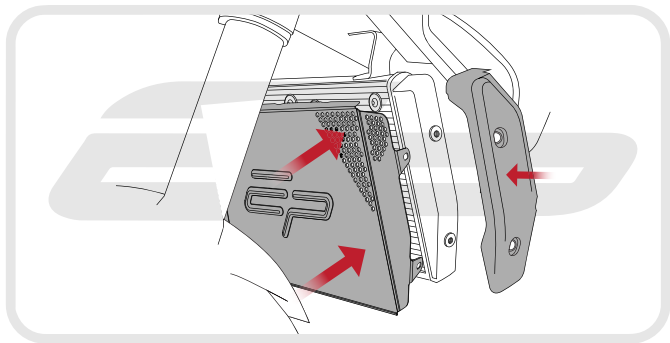
### **Kit Contents**

- A** 1 x Radiator Guard
- B** 1 x Neoprene Foam

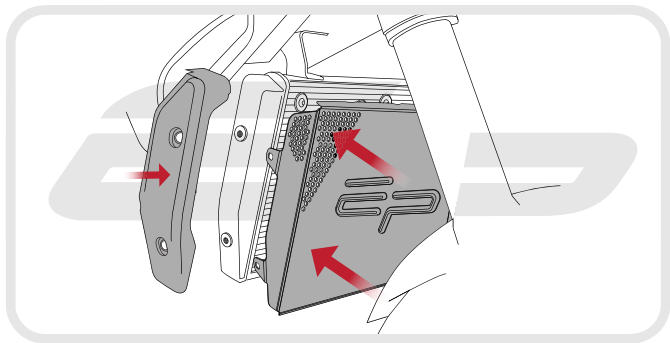


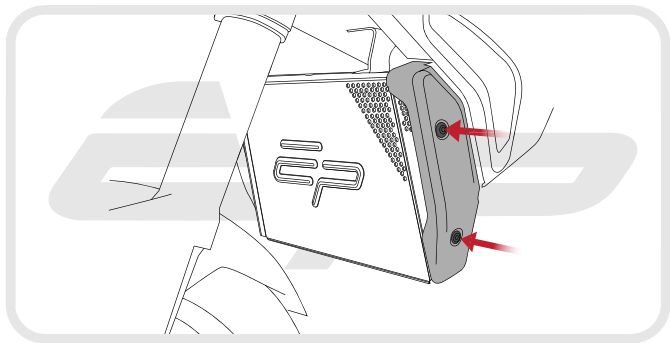


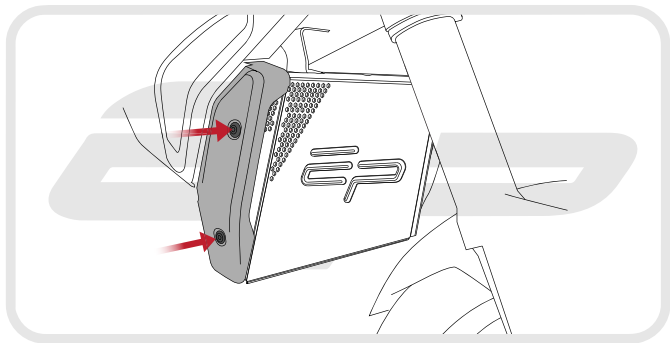




**EVOTECH**<sup>®</sup>  
P E R F O R M A N C E







**EVOTECH**<sup>®</sup>  
P E R F O R M A N C E





### Maintenance

It is recommended that periodic inspections are made to ensure that dirt and debris have not become trapped between the guard and the radiator/oil cooler. Such dirt and debris would reduce the cooling efficiency of the radiator/oil cooler