



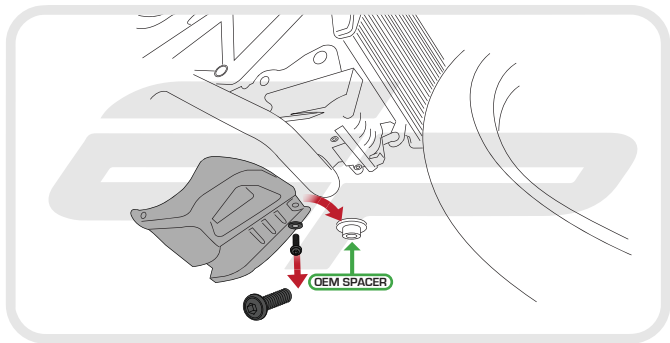
## DUCATI HYPERSTRADA 2013 ENGINE GUARD

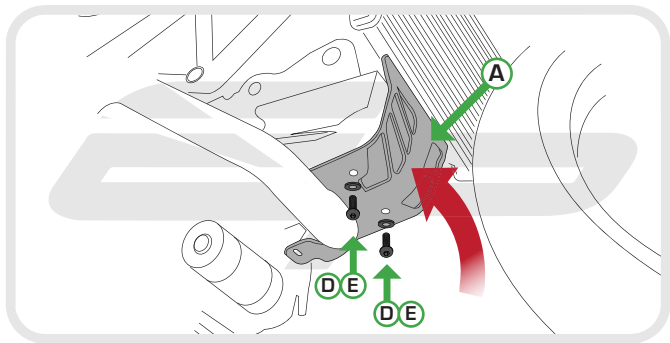
**Product Reference - 11128**

### **Kit Contents**

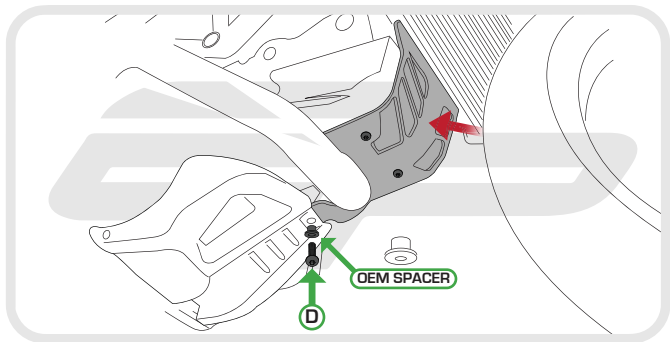
- (A)** 1 x Engine Guard
- (B)** 1 x Lower Mounting Spacer (Hypermotard Only)
- (C)** 1 x M6 x 60 Socket Button Head (Hypermotard Only)
- (D)** 3 x M6 x 16 Socket Button Heads
- (E)** 3 x M6 Washers

**See next Section for Hypermotard instructions**





**EVOTECH**<sup>®</sup>  
P E R F O R M A N C E



**EVOTECH**<sup>®</sup>  
P E R F O R M A N C E

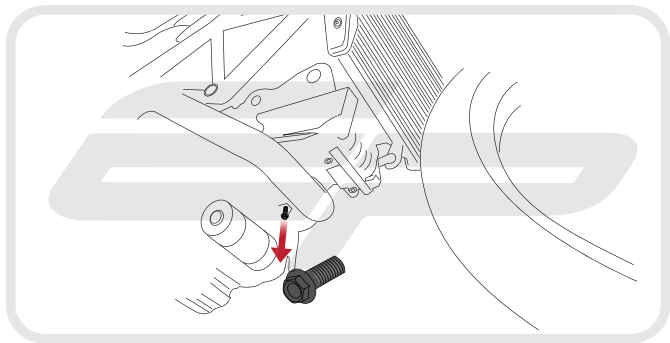


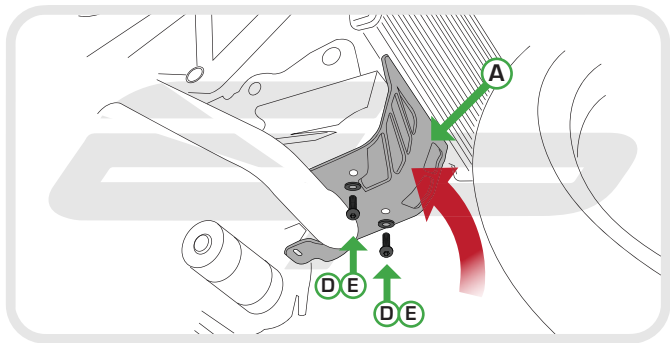
## DUCATI HYPERMOTARD 2013 ENGINE GUARD

**Product Reference - 11128**

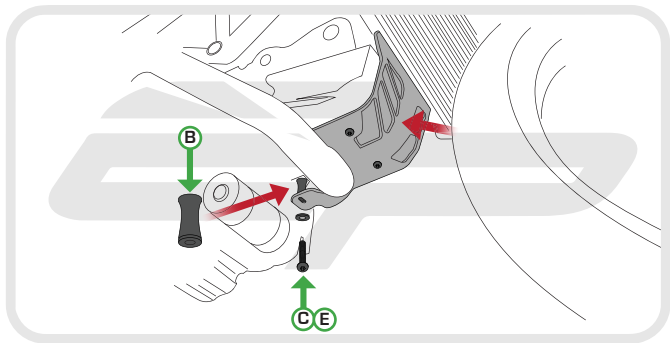
### Kit Contents

- A** 1 x Engine Guard
- B** 1 x Lower Mounting Spacer
- C** 1 x M6 x 60 Socket Button Head
- D** 3 x M6 x 16 Socket Button Heads
- E** 3 x M6 Washers





**EVOTECH**<sup>®</sup>  
P E R F O R M A N C E



**EVOTECH**<sup>®</sup>  
P E R F O R M A N C E





### Maintenance

It is recommended that periodic inspections are made to ensure that dirt and debris have not become trapped between the guard and the radiator/oil cooler. Such dirt and debris would reduce the cooling efficiency of the radiator/oil cooler