









RAIL **MAINTENANCE** **EQUIPMENT**

Work site solutions for stressing, lifting and surfacing



Enerpac innovative products and effective solutions are suitable in virtually all rail activities. Enerpacs rail equipment, offer the solution best-suited to the project, where 'ergonomic, timesaving and no risk' are the key elements, we focus on to get the job done.

	Mechanical Track Jacks Page 3
	POW'R-CLAW Hydraulic Track Jacks Pages 4-5
	Rail Pullers (Hydraulic and Mechanical) Pages 6-8
	Wheel Truck Jacks Page 9
	Battery Driven Stressing Pump Pages 10-11
	XC-Series, Cordless Pumps Pages 12-15
	NC-Series, Single-Acting Hydraulic Nut Splitters Pages 16-17
	POW'R-RISER® Lifting Jacks Pages 18-19 Accessories Page 19

▼ Shown: 02025 (A8), 02000 (A5) and 02075 (A17)



A Series

Rated Capacity per Jack:

15 ton

Stroke:

133-330 mm



Square Drive Sockets

All models feature square drive sockets for use with 1½ inch square by 5-foot-5 inch standard railroad lining bars.



Quick-trip Mechanism

The Quick-trip mechanism allows the track jack to be instantly tripped while under load. Lower the load effortlessly by engaging the lifting pawl in the retaining pawl and complete one down-stroke with the lining bar. Track jacks are designed for use with standard lining bars.

- **Three lightweight, easy to carry models fit all track applications**
- **Solid cast base and large grooved toe for stable jacking**
- **Heat-treated, forged components for extra strength and longer life**
- **Rust-proof tension spring maintains full pawl engagement**

▼ *Mechanical Track Jacks provide fast and dependable lifting.*



Capacity	Stroke	Model Number	Description	Minimum Height (mm)		Base Area (mm)	Max. Handle Effort (kg)	Weight (kg)
				Toe	Cap			
Ton (kN)	(mm)							
15 (138,6)	133,3	02000	Mechanical Track Jack, A5	50,8	279,4	165 x 254	15	13,6
15 (138,6)	196,8	02025	Mechanical Track Jack, A8	50,8	369,9	165 x 279	15	16,8
15 (138,6)	330,2	02075	Mechanical Track Jack, A17	50,8	574,4	165 x 279	15	22,7

▼ Shown: TJ109LS, TJ109S, TJ109B



- Exclusive overload protection from load shifts
- Solid cast base provides more surface contact area, and a large grooved toe provides stable jacking
- Inverted hard chrome piston design keeps water and dirt out, extending the life of the jack
- Low handle effort allows one-man operation for lifting heavy loads
- Anti-kickback design reduces risk of injury to operator if load is inadvertently released
- All models can lift from toe or cap, ideal for spreading and jacking applications

▼ The reservoir design on Model TJ105LS and TJ109LS allows vertical or horizontal operation for use as lifter or spreader.



POW'R-CLAW Track Jacks Provide Fast, Safe Lifting

i Ideal for tough lifting applications; such as frogs, turn-outs, diamonds and concrete tie sections.

i The **TJ109B** Bridge and Trestle Jack easily fits between double set ties. The short lever bar and low handle effort greatly reduce the risks associated with jacking from bridges and trestles. Swivel load cap allows the use of chain.

Inverted Design
Keeps water and dirt out of the jack, increasing performance and life cycle. Allows lifting from toe or cap.

Versatile Handle Design
Model **TJ105LS** and **TJ109LS** features a pistol-grip handle for balanced carrying and fast setup.

▼ Model TJ109S is shown lifting a rail maintenance car.



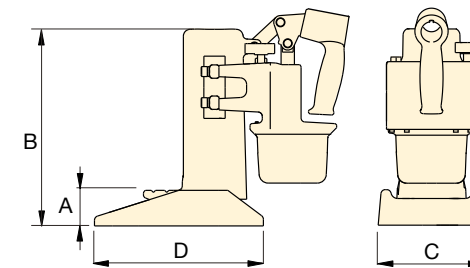
Rated Capacity per Jack:

10 ton

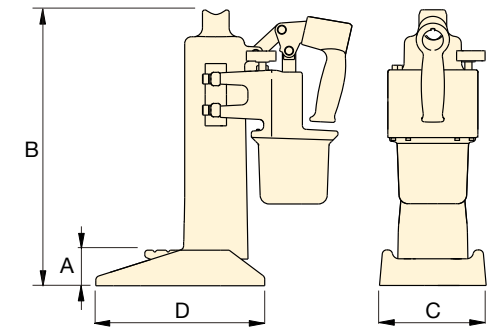
Stroke:

101-228 mm

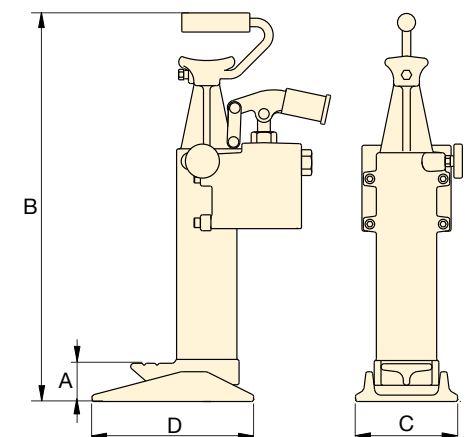
TJ105LS*



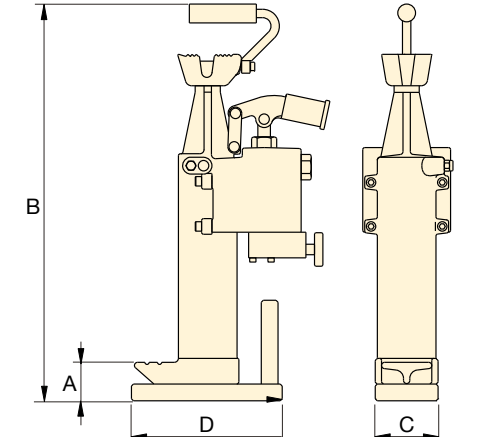
TJ109LS



TJ109S



TJ109B



Capacity	Stroke	Model Number	Minimum Height		Base Area		Maximum Handle Effort	Weight
			Toe A (mm)	Cap B (mm)	C (mm)	D (mm)		
Ton (kN)	(mm)						(kg)	(kg)
10 (93,3)	101,6	TJ105LS*	50,8	235	152,4	241,3	40,9	16,3
10 (93,3)	228,6	TJ109LS	50,8	393,7	152,4	241,3	40,9	18,6
10 (93,3)	228,6	TJ109S	57,1	515,6	152,4	228,6	40,9	26,4
10 (93,3)	228,6	TJ109B	57,1	515,6	95,2	228,6	40,9	24,5

*TJ105LSTK, Toe Extension Kit, must be used with TJ105LS. When the toe extension is installed, the minimum toe height is increased by 43 mm. This additional height allows the jack to remain positioned under the base of the rail while traffic passes overhead.

RP-Series, Hydraulic Rail Pullers



▼ Shown: RP120BP Hydraulic Rail Puller



RP Series

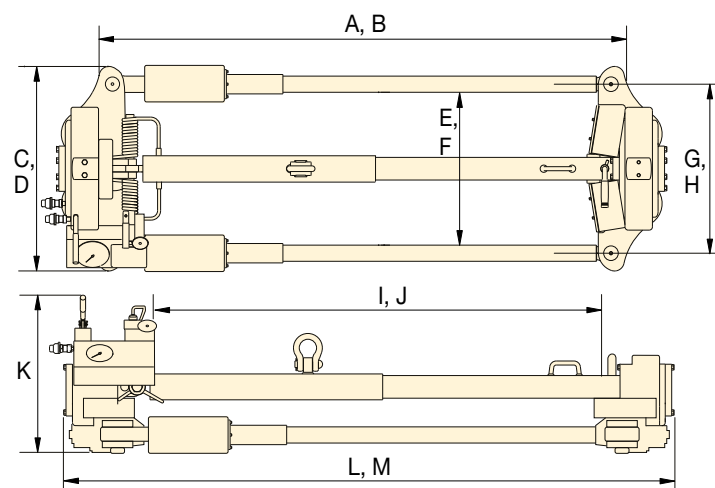
Rated Pulling Capacity:
120 ton

Stroke:
165 mm



RP120BP Puller Brake Kit
Minimizes movement of the RP120BP rail puller in the event of shock load due to rail failure. Optional accessory for the RP120BP.
(A partial Kit is shown.)

- Versatile design allows for quick and easy setup for stressing rail
- Compact, alloy steel design requires no disassembly for transport or storage
- Swing Arm clamps the bracket and eliminates the need for separate jaws and wedges
- Center beam swings up and out of the way
- Operator controls are positioned safely away from work area



A = Open
B = Clamped
C = Closed
D = Open
E = Clamped
F = Open
G = Clamped
H = Open
I = Clamped maximum
J = Clamped minimum
K = Height
L = Clamp maximum
M = Open minimum

Capacity ton (kN)	Stroke (mm)	Model Number	A (mm)	B (mm)	C (mm)	D (mm)	E (mm)	F (mm)	G (mm)	H (mm)	I (mm)	J (mm)	K (mm)	L (mm)	M (mm)	Weight (kg)
120 (1068)	165	RP120BP	1880	2121	838	889	610	660	673	724	1803	1626	584	2489	2261	526

Hydraulic Rail Pullers

▼ Shown: RP70 Hydraulic Rail Pullers

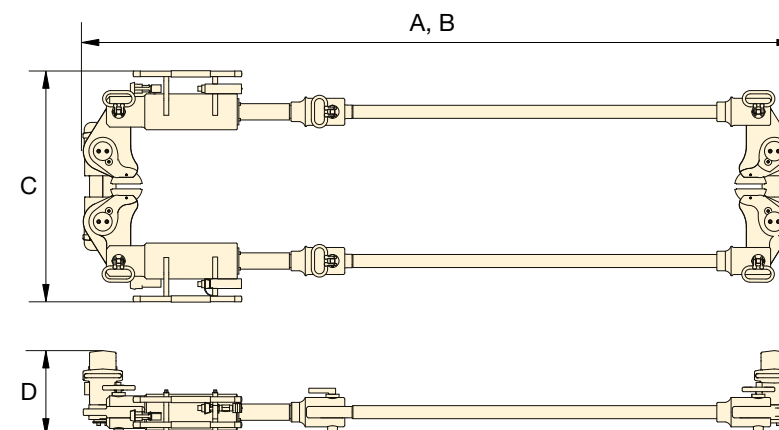


RP Series

Rated Pulling/Pushing Capacity:
70/35 ton

Stroke:
203 mm

- Used in obstructionless or over the rail applications for stressing rail
- Provides 70 ton of pulling force, 35 ton of push force or holds the rail in neutral length during the welding process
- Ample clearance for all weld equipment, hydraulic weld shears, and rail grinders
- Operated by any 8860 psi (611 bar) power source
- Compact, lightweight pin/clevis design for easy transport and setup in remote applications
- Swing Arm clamps the bracket and eliminates the need for separate jaws and wedges
- Decals one man lift / two man lift on request deliverable



A = Closed length
B = Extended length

Capacity Pull ton (kN)	Capacity Push ton (kN)	Stroke (mm)	Model Number	A (mm)	B (mm)	C (mm)	D (mm)	Weight (kg)
70 (623)	311 (35)	203	RP70	2789	2972	899	325	248



Portability
Lightweight, easy to assemble components simplify transport and handling. Ideal for remote locations.



Power Pump
The recommended power source for the RP70 is the Enerpac ZC 3404, delivering 700 bar for extreme force rail stressing.

▼ RP70 Rail Puller in an obstructionless pull.



▼ Shown: Mechanical Rail Pullers

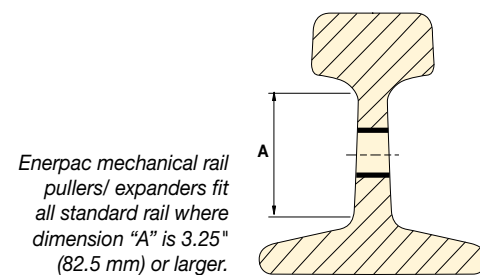


550 Series
 Rated Capacity:
30 ton

- Easily operated by one person
- Square socket design uses standard railroad lining bar*
- Alloy steel, heat treated U-bar is designed to fit rail web and be obstructionless when the lever socket is downward to allow for active service

*1.5" (38,1 mm) square X 66" (1676,4 mm) long

Stud Kit
 Adapts mechanical rail pullers/expanders to various rail drillings. Kits include four square nuts, two bolts, two stud pins, and two studs. Ordered separately, see numbers below.



Capacity	Model Number	Description	Travel	Stud Diameter	Optional Stud Kit Number	Weight	Handle Effort
ton (kN)			(mm)	(mm)		(kg)	(kg)
30 (267)	02326	Mechanical Rail Puller, 1-inch, 550A	114 -203	25,4	18602	39,5	3,4
	02327	Mechanical Rail Puller, 1.12-inch, 550A		28,4	18603		

*1.5" (38,1 mm) square X 66" (1676,4 mm) long

▼ Shown: WJ60



WJ Series
 Rated Capacity per Jack:
60 ton
 Stroke:
140 & 411 mm

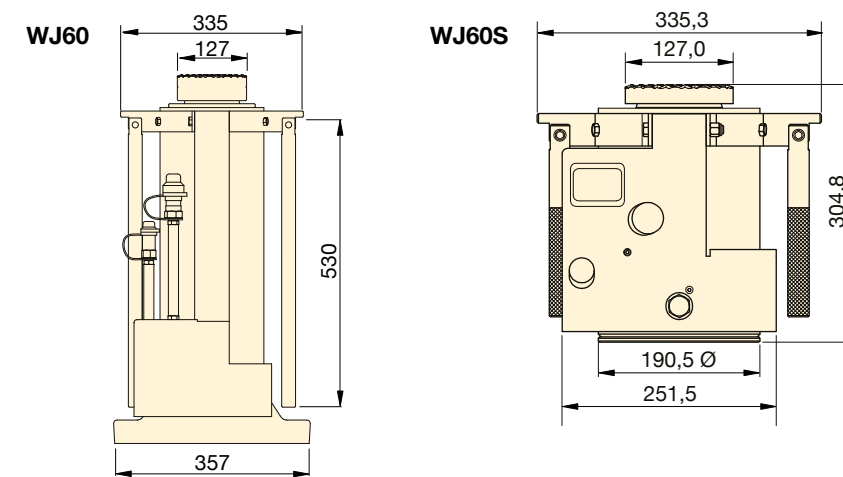
- Used for track side emergency rail car repair
- Uses existing outboard low pressure hydraulics, delivering 4250 psi (293 bar) for 60 ton lifting
- Long handles swing down for easy transport and jack positioning
- SUP'R-STACK™ extensions for lifting every style of car

Extensions
 SUP'R-STACK™ extensions for lifting every style of car.

Page: 15

Stacking Extensions
 Any two extensions may be stacked for railcar lifting. For loads over 60 ton or strokes over 14" (355,6 mm) only one extension and one spacer can be used.

Dimensions shown in mm.



Capacity	Stroke	Model Number	Minimum Height	Extended Height	Effective Area	Oil Capacity Required	Maximum Operating Pressure at Capacity	Weight
ton (kN)	(mm)		(mm)	(mm)	(cm ²)	(cm ³)	(bar)	(kg)
60 (597)	411	WJ60	644	1055	182,4	12,3	293	84
	140	WJ60S	305	445	182,4	4,2	293	40

▼ Shown: ZC-3404 Hydraulic Battery Driven Stressing Pump



Stressing Pump Zero Emission Hydraulic Power Pack



82-Volt Battery

The ZC-82V with Lithium-Ion technology for maximum battery performance, with quick charger.



Battery packs contain no cadmium, so they are environmentally friendly. Enerpac encourages recycling.



Oil level indicator

Provides continuous indication of the oil level of the main tank.



Roll Cage

Protects pump and electric box.



Gauge

Use the gauge to check system pressure.

- High performance, Zero Emission Hydraulic Power Pack
- Advanced Brushless motor technology 1,5 kW
- 3 Stage pump leading to improved efficiency
- Lithium-ion battery driven stressing pump
- Pressure hold function for operator safety
- Steel manual operating valve
- Pump weight 34,8 kg (excluding battery)
- Reduced Noise Level 80 dB max
- Safety key to safely leave the pump unattended during breaks
- Pressure release valve V182 included
- **NetworkRail** Certificate of Acceptance PA05-06958

Pump Type	Useable Oil Capacity (litres)	Model Number	Pressure Rating (bar)	Output Flow Rate at 700 bar (l/min)	Motor Electrical Specifications	Motor Size (kW)	Sound Level (dBA)	Weight (kg)	Voltage (V)
3-stage	4,0	ZC-3404JE-RS	700	0,75	82V 4Ah	1,5	80	34,8	230
3-stage	4,0	ZC-3404JB-RS	700	0,75	82V 4Ah	1,5	80	34,8	115



The ZC-Series new Cordless Hydraulic Stressing Pump:

The battery driven stressing pump is a standalone power pack used in the alumino thermic track welding process.

Often referred to in the rail industry as Rail Tensors or as Destressing Kit.

This new innovation is a novel design, using battery power packs and can be considered the first of its type. Compatible with other rail tensors using similar pressures. As such, there is improved reliability, approx. 50% reduction of weight to improve ergonomics and removal of harmful petrol or diesel fumes.

Battery Driven Stressing Pump

- Battery Driven Hydraulic Power Pack
- Improved Ergonomic Features, total weight only 34.8 kg
- High Performance - Zero Emission
- Noise Level below 80 dB
- Exchangeable battery and less maintenance due to modular parts

ZC Series



Reservoir Capacity:
4 litres

Flow at Rated Pressure:
0,75 l/min

Maximum Operating Pressure:
700 bar

Motor Size:
1,5 kW



▼ The recommended power source for the RP70 is the Enerpac ZC-3404, for extreme force rail stressing.



▼ RP70 Rail Puller in an obstructionless pull.



▼ Shown: XC-1201ME



- **Lightweight design with integrated handle and carrying strap for portability**
- **Bladder reservoir prevents contamination and allows pump usage in any position**
- **Powerful 0,37 kW motor and 28 Volt Lithium-Ion battery deliver exceptional speed and run time**
- **High-strength fiberglass reinforced composite shroud for superior durability in demanding job site environments**
- **Cordless technology eliminates tripping hazards found in other powered pumps.**



Performance of a Powered Pump Portability of a Hand Pump



Battery packs contain no cadmium, so they are environmentally friendly. Enerpac encourages recycling.



28-Volt Battery

The **XC-28V** with Lithium-Ion technology for maximum battery performance.



Battery Charger

1-hour quick charger.

Model Nr.	Voltage
XC-115VC	115 VAC
XC-230VC	230 VAC



GA45GC Gauge adaptor assembly

45° Angled gauge adaptor improves safe working conditions.



Hydraulic Swivel Connector XSC 1

Customer installed swivel connector for optimal orientation of the hydraulic hose.

◀ Power and simplicity for the toughest jobs.



XC-Series Cordless Hydraulic Pumps

The XC-Series cordless pump is ideal for jobs using small to medium size cylinders and hydraulic tools, and is compatible with over 140 Enerpac tools and cylinders. These cordless pumps combine the performance of a powered pump with the portability of a hand pump making them a perfect solution for remote applications with limited or no access to a power supply or for locations where corded solutions present trip hazards.

The Lithium-Ion battery provides superior run time:

- 250 cuts of 10 mm reinforcing bar using a WHC-750 cutter
- >100 lifts with a WR-5 spreader up to maximum load
- 45 splits on M27 - 8.8 nuts using a NC-3241 nut cutter
- 30 times lifting with a RC-104 cylinder (10 ton, 100 mm stroke).

The XC-Series cordless pump is CSA and CE compliant.

NOTE: Actual number of cycles per charge will vary depending on condition of battery, tool and ambient conditions.



XC Series

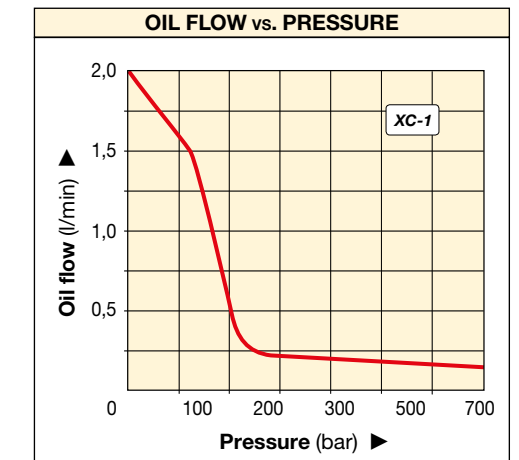
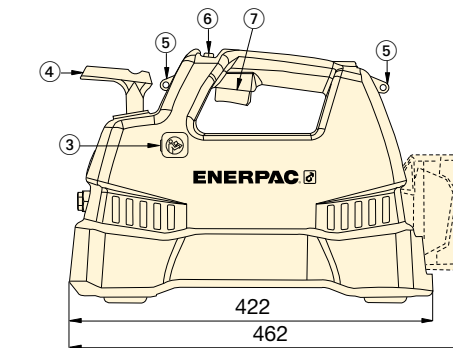
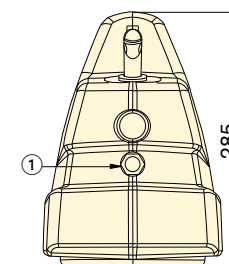
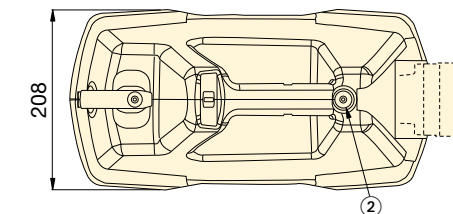


Reservoir Capacity:
1,0-2,0 litres

Flow at Rated Pressure:
0,25 l/min

Maximum Operating Pressure:
700 bar

- 1 Outlet "Advance" Port 3/8"-18 NPTF
- 2 Oil Fill (must use funnel)
- 3 User Adjustable Relief Valve Access Port
- 4 Directional Control Valve
- 5 Shoulder Strap Connection Points
- 6 Safety Lock Feature
- 7 On/Off Switch



SELECTION CHART

Useable Oil Capacity (litres)	Model Number	Output Flow Rate (l/min)			Valve Function**	Charger Voltage (VAC)	Weight (kg)
		No Load	140 bar	700 bar			
1,0	XC-1201MB	2,0	0,50	0,25	3-way, 2-pos.	115	10
2,0	XC-1202MB	2,0	0,50	0,25			
1,0	XC-1201ME	2,0	0,50	0,25	3-way, 2-pos.	230	10
2,0	XC-1202ME	2,0	0,50	0,25			
1,0	XC-1201M*	2,0	0,50	0,25	3-way, 2-pos.	-	10
2,0	XC-1202M*	2,0	0,50	0,25			

* Batteries and charger not included.

** For use with single-acting cylinders or tools.

▼ Take the battery pump anywhere without power cords or air hoses.




▼ Shown: XC1502TE




- Ideal for maintenance bolting applications requiring portability and convenience
- Interactive pendant provides visual and vibration feedback of pump operation
- Superior run-time with 5Ah, 28V battery
- 6 metres detachable pendant control
- 100 mm glycerine-filled gauge for easy viewing
- Bladder reservoir allows pump to be used in any position
- High-strength fiberglass reinforced composite housing provides superior durability in demanding job site environments
- Integrated handle and carrying strap for portability.

Portable Battery Pump for Torque Applications




28-Volt Battery
The XC28V5 5 Amps battery with Lithium-Ion technology for maximum battery performance.




Battery Charger
1-hour quick charger.

Model Nr.	Voltage
XC-115VC	115 VAC
XC-230VC	230 VAC




Roll Cage
Roll cage accessory option for both XC-TW and XC pump. Please order model number XCRCTK.



Torque Wrenches
The following torque wrenches are ideal for use with the XC-Series Cordless Torque Wrench Pumps:

S-Series	W-Series	RSL-Series
S1500X	W2000X	RSL1500
S3000X	W4000X	RSL3000

Larger torque wrenches will work with the pump, battery run time and application speed will be impacted.



Battery-Powered Torque Wrench Pumps
The XC-Series Cordless Torque Wrench pump is ideal for maintenance applications in the PowerGen, Oil & Gas and MRO markets. This portable pump is perfect for remote locations, sites that do not have access to power or where trip hazards are a concern.

The interactive pendant allows the user to set and clear pressure and operate in manual or auto-cycle mode. The pump has an easily accessible user adjustable valve for precise pressure control.

Torque Wrench	Nut A/F (mm)	Stud (mm)	Pressure (bar)	Torque (Nm)	Faste-ners torqued
S3000X	60	38	330	2035	32
W2000X	60	38	350	1356	52

XC Series




Reservoir Capacity:
2,0 litres

Flow at Rated Pressure:
0,25 l/min

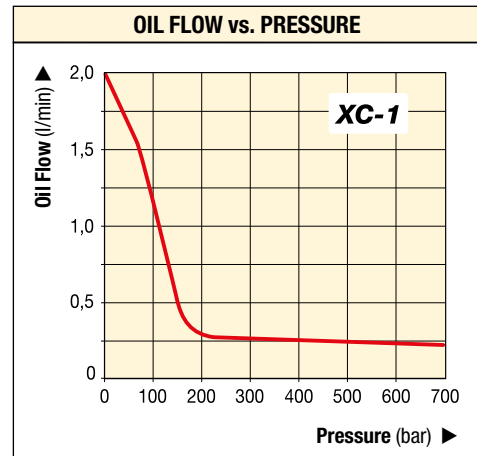
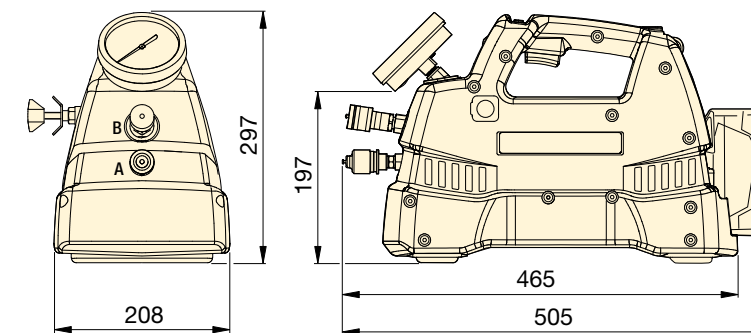
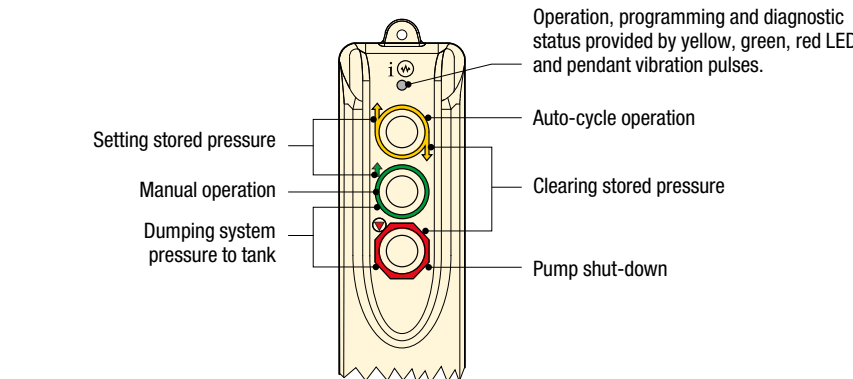
Motor Size:
0,37 kW

Maximum Operating Pressure:
700 bar



Torque Wrench Hoses
Use Enerpac 700 bar THQ-700 Series torque wrench hoses with torque wrenches and pumps

6 m long, 2 hoses	THQ-706T
12 m long, 2 hoses	THQ-712T



▼ SELECTION CHART

Description	Useable Oil Capacity (litres)	Model Number	Output Flow Rate (l/min)			Included with pump	Weight (kg) ¹⁾
			No Load	140 bar	700 bar		
Cordless Pump Kit	2,0	XC-1502TB	2,05	0,49	0,25	2 batteries and 115V charger	12
Cordless Pump Kit	2,0	XC-1502TE	2,05	0,49	0,25	2 batteries and 230V charger	12
Cordless Pump	2,0	XC-1502T	2,05	0,49	0,25	No batteries or charger	12

¹⁾ Weight includes oil, without battery. battery weight 1,1 kg.

NC-Series, Single-Acting Hydraulic Nut Splitters



▼ Shown from left to right: NC-3241, NC-1319, NC-1924



- Compact and ergonomic design, easy to use
- Unique angled head design
- Two blade design (NC-D models) for time saving operation – nuts are split from two sides in one action
- Single-acting, spring return cylinder
- Heavy duty chisels can be reground
- Nut Splitters include spare chisel, spare set screw and wrench used to secure the chisel. A CR-400 coupler is standard.



For Nut Splitter Model Nr.	Replacement Chisel Model Numbers	
	Moving	Static
NC-1319	NCB-1319	–
NC-1924	NCB-1924	–
NC-2432	NCB-2432	–
NC-3241	NCB-3241	–
NC-4150	NCB-4150	–
NC-5060	NCB-5060	–
NC-6075	NCB-6075	–
NC-1924D	NCB-1924	NCB-1924D
NC-2432D	NCB-2432	NCB-2432D
NC-3241D	NCB-3241	NCB-3241D

Single-Acting Hydraulic Nut Splitters



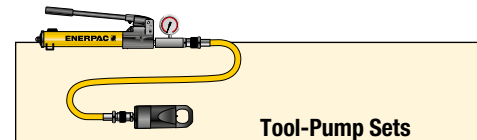
NC, STN Series



Capacity:
49- 882 kN (5 - 90 ton)

Bolt Range:
M6 - M48

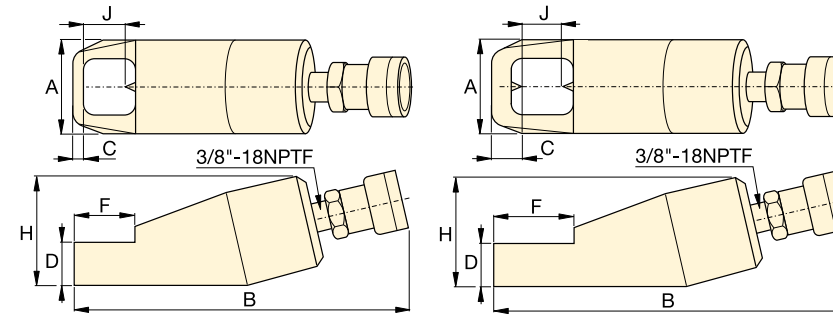
Maximum Operating Pressure:
700 bar



Tool-Pump Sets

Hydraulic Nut Splitters are available as sets (pump, tool, gauge, gauge adaptor, couplers and hose) for your ordering convenience.

Nut Splitter Model Nr.	Hand Pump Model Nr.	Set Model Nr
NC-1924	P-392	STN-1924H
NC-2432	P-392	STN-2432H
NC-3241	P-392	STN-3241H



Single Blade Models (NC)

Double Blade Models (NC-D)

Bolt Range (mm)	Hexagon Nut Range (mm)	Capacity ton (kN)	Oil Capacity (cm ³)	Model Number	Dimensions (mm)							Weight (kg)
					A	B	C	D	F	H	J	
M6 - M12	10 - 19	5 (49)	15	NC-1319	40	170	7	19	28	48	21	1,2
M12 - M16	19 - 24	10 (98)	20	NC-1924 *	54	191	10	26	40	62	25	2,0
M16 - M22	24 - 32	15 (147)	60	NC-2432 *	64	222	13	29	51	72	33	3,0
M22 - M27	32 - 41	20 (196)	80	NC-3241 *	75	244	17	36	66	88	43	4,4
M27 - M33	41 - 50	35 (343)	155	NC-4150	94	288	21	45	74	105	54	8,2
M33 - M39	50 - 60	50 (490)	240	NC-5060	106	318	23	54	90	128	60	11,8
M39 - M48	60 - 75	90 (882)	492	NC-6075	156	393	26	72	110	181	80	34,1
M12 - M16	19 - 24	10 (98)	20	NC-1924D	54	168	22	25	50	66	26	3,8
M16 - M22	24 - 32	15 (147)	60	NC-2432D	64	275	25	31	65	78	33	5,4
M22 - M27	32 - 41	20 (196)	80	NC-3241D	77	305	31	37	80	90	43	7,2

Ordering Notes: Maximum allowable hardness to split is HRc-44. Not to be used on square nuts or stainless steel.

* Available as Tool-Pump Set, see note on this page.

▼ Shown: PRASA10027L and Accessory Locking U-Rings




- 54, 90, 136 and 181-ton capacities with pneumatic or electric pumps for the toughest jobs
- 102 mm ground clearance for transport over rail and rough terrain
- Three position handle provides easy tilt back and transport
- Complies with ASME/ANSI B30.1:2015 & CE specifications
- Easy to change external filter minimizes down time
- Rugged, fully enclosed 610 mm wide frame with no exposed fittings or hoses
- SUP-R-STACK™ Extension System allows lifting at all heights without blocking.

▼ Versatility for rail maintenance. One jack for all cars from Intermodal to High Hopper with 28 heights in between.




Safe, Efficient, Mobile Load Lifting

i Pendant Cord
Standard 3.5 m pendant cord for air driven units with pneumatic valves and 6 m pendant cord for electric driven units keeps operator away from the load.



SUP-R-STACK™ Extensions
Increase useful height from 127 to 457 mm.

Model Number	Size (mm)	Model Number	Size (mm)
PRE5	127	PRE11	279
PRE7	178	PRE14	356
PRE9	229	PRE18	457
PRES6024	Extension set includes PRE5, PRE7, PRE11PRE18		

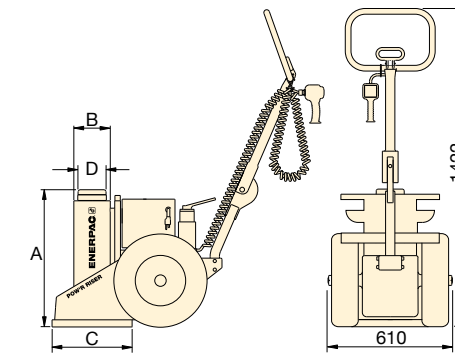


Spacers
Fine tune your Extension stack height.

Model Number	Size (mm)	Model Number	Size (mm)
PRS1	25	PRS3	76
PRS2	51	-	-
PRS4	Set includes (2) PRS1, (1) PRS2 and (1) PRS3		

Cap. (kN)	Swivel Load Cap	Locking U-Rings					Set Model Number	Locking U-Ring Sets Include			
		25 mm	76 mm	114 mm	140 mm	254 mm		(quantity and model numbers)			
533	PRTS60	PRU11	PRU13	PRU14	-	PRU110	¹ PRUS126 ² PRUS137	PRU11 PRU11	PRU13 PRU13	PRU14 PRU14	- PRU10
889	PRTS60	PRU11	PRU13	PRU14	-	PRU110	¹ PRUS126 ² PRUS137	PRU11 PRU11	PRU13 PRU13	PRU14 PRU14	- PRU110
1333	PRTS150	PRU151	PRU153	-	PRU155	PRU1510	³ PRUS1526 ² PRUS1537	PRU151 PRU151	PRU153 PRU1510	PRU155 PRU155	- -
1778	PRTS200	PRU201	PRU203	-	PRU205	PRU2010	³ PRUS2026 ² PRUS2037	PRU201 PRU201	PRU203 PRU2010	PRU205 PRU205	- -

¹ For 356 mm and 406 mm stroke models
² For 686 mm stroke models
³ For 394 mm stroke models



Rated Lifting Capacity:
54 - 181 ton

Stroke:
356 - 686 mm

Maximum Operating Pressure:
700 bar

! WARNING!
Extensions: Any two Extensions may be stacked for loads up to 54 ton. For loads over 54 ton or strokes over 356 mm only one Extension and one Spacer can be used.

Spacers: Never exceed 76 mm in total Spacer height.

Locking U-Rings
For safe mechanical cribbing of a lifted load, accessory Locking U-Rings can be placed around an extended piston and come in four lengths for each POW'R-Riser® capacity, and are available individually or in sets. Locking U-Rings are accommodated by storage racks integral to the POW'R-Riser®.

For power source, the following characters should be inserted in the 5th space of the model number.

Ordering Example:
Model Number PREMI06014L is a 356 mm stroke, 54 ton model, with a manual valve and a 230 VAC, 1-ph, 50 Hz electric motor.

- A Air Pump, 1416 l/min air consumption at 5,5 bar
- B 115 VAC, 1-ph., 50-60 Hz, 20 A
- E 208-240 VAC, 1-ph., 50-60 Hz, Euro Plug, 10 A
- I 208-240 VAC, 1-ph., 50-60 Hz, USA Plug, 10 A
- G ¹208-240 VAC, 3-ph., 50-60 Hz
- J ¹380-415 VAC, 3-ph., 50-60 Hz
- W ¹440-480 VAC, 3-ph., 50-60 Hz
- R ¹575 VAC, 3-ph., 50-60 Hz

¹ Not available for 54-ton capacity

Capacity	Stroke	Electric Pump Model Number	Weight	Air Pump	Weight	A	B	C	D	Max. Additional Stack Height Using Optional Ext. System	Valve Type
ton (kN)	(mm)	(230 VAC)	(kg)		(kg)	(mm)	(mm)	(mm)	(mm)	(mm)	
54 (533)	356	PREMB06014L	177	PRAMA06014L	177	610	162	356	102	813*	Manual
	686	PREMB06027L	272	PRAMA06027L	272	940	162	356	102	279	
90 (889)	406	PREMB10016L	231	PRAMA10016L	231	660	178	457	102	533**	Pneumatic
	686	PREMB10027L	272	PRAMA10027L	272	940	178	457	102	279	
	406	-	-	PRASA10016L	231	660	178	457	102	533**	
	686	-	-	PRASA10027L	272	940	178	457	102	279	
136 (1333)	394	-	-	PRASA15016L	258	660	203	457	127	533**	Manual
	673	-	-	PRASA15027L	321	940	203	457	127	279	
	394	PREMB15016L	258	-	-	660	203	457	127	533**	
	673	PREMB15027L	321	-	-	940	203	457	127	279	
181 (1778)	394	-	-	PRASA20016L	290	660	241	508	152	533**	Pneumatic
	673	-	-	PRASA20027L	374	940	241	508	152	279	

* Based on one 457 mm and one 279 mm Extension and one 76mm Spacer.
** Based on one 457 mm Extension and one 76mm Spacer.



RAIL EQUIPMENT

Enerpac is the global leader in hydraulic tools, systems and heavy lifting equipment. Our focus is to provide hydraulic tools and solutions that make jobs safer and easier to perform, increase productivity, and minimize downtime at every stage in the maintenance from rail tracks to wagons.

Work site tool solutions & services

Enerpac innovative products and effective solutions are suitable in virtually all rail activities. Enerpac's rail equipment, offer the solution best-suited to the project, where 'ergonomic, timesaving and no risk' are the key elements, we focus on to get the job done.



P-Series
Ultima Steel Hand Pumps



ETW-PTW-Series
Electric or Pneumatic Torque Wrenches



NC-Series
Nut Cutters



Enerpac Service Vans

- Demonstrate Enerpac tools on your premises
- On-Site Enerpac tool service
- Training for safe and efficient use of hydraulic tools



Enerpac Academy

Enerpac Academy is our in-house training center, set up exclusively for Enerpac business partners, Enerpac users and Enerpac employees: training programs ranging from tool expertise, repairs and maintenance, to safe operation of high-pressure hydraulic tools.



www.enerpac.com

