

# MIMO PLANKTON Assembly Instructions

## 1. Components



SCREEN



Stand



Hinge Cover



Cable Cap



HDMI Cable



USB 3.0 Cable



Power Cable



USB (DC)

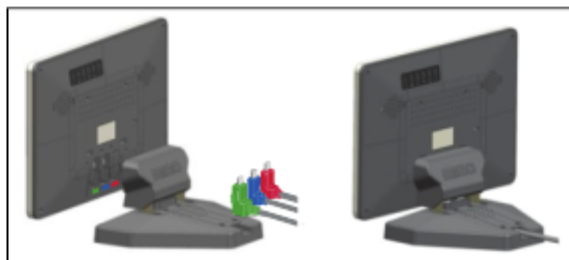


Stand Screws



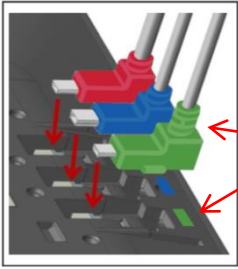
Cable Cover Screws

## MIMO PLANKTON Assembly



## 2. Assemble instruction

### 2-1. Cable Assembly



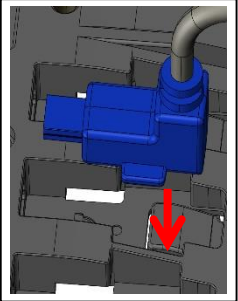
- 1) Insert the cable with the same color plug as the sticker color on the back of the screen into the housing as shown

**Same Color**

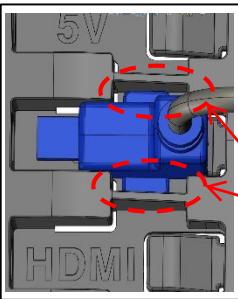
**Green cable: HDMI Cable**

**Blue cable: USB 3.0 Cable**

**Red cable: Power Cable**

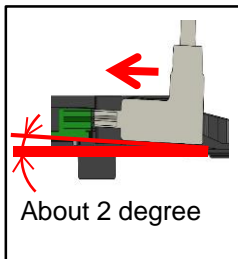


- 2) Adjust the cable plug wing into the designated housing



- 3) Align cable plug wings with the housing

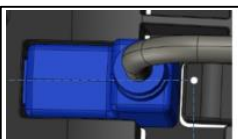
**Wings**



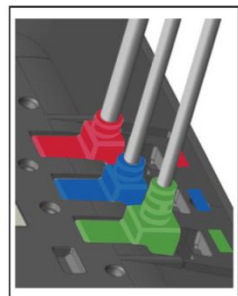
- 4) Lift the front of the cable plug slightly upward (about 2 degrees) to align with the internal connector.

- 5) Push the cable plug into the connector. If the connector ends are properly aligned, insertion does not require significant force.

**\* Caution : Do not push the cable plug with more than 6kg force. An insertion force of much more than 6kg force may cause product damage or the connector to be damaged**

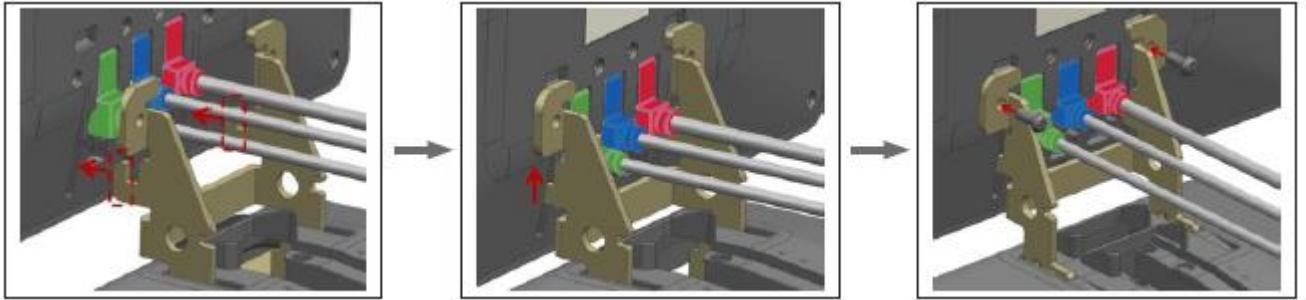


- 6) Check if the cable plug is connected correctly as shown in the picture.

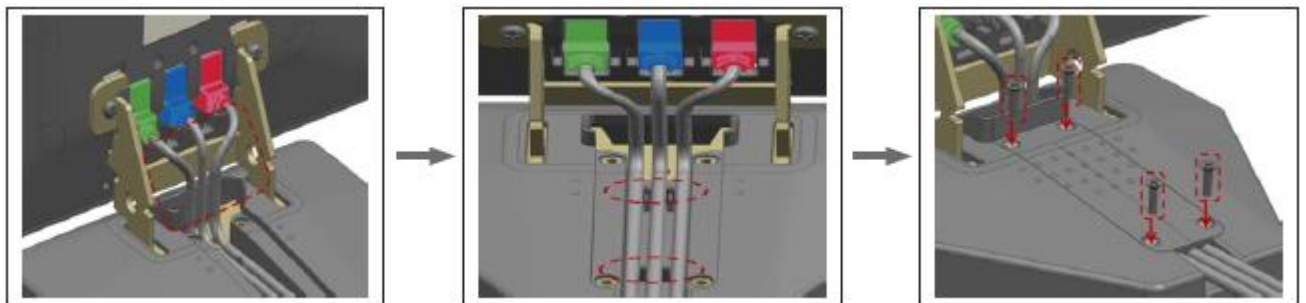


- 7) Repeat to connect each cable as shown above and verify if all cables are connected properly

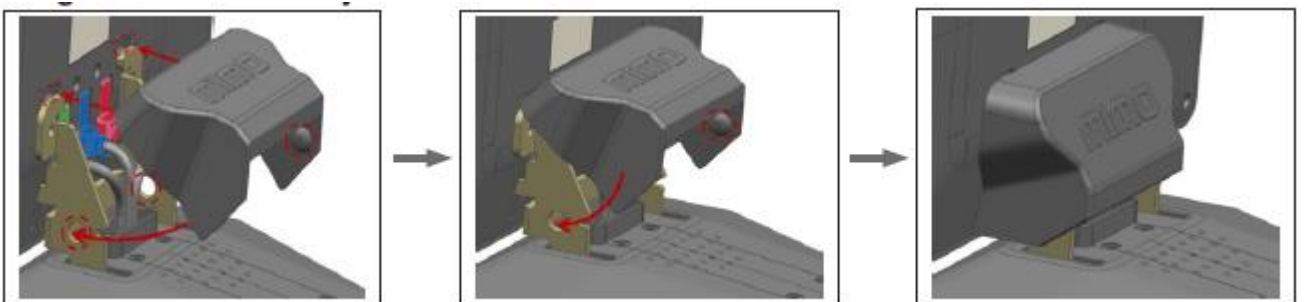
## 2) Stand Assembly



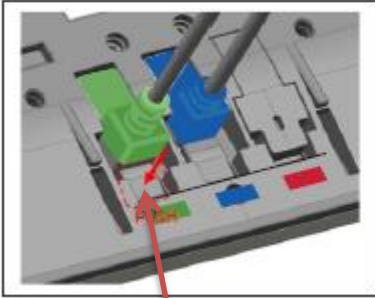
## 3) Cable Arrangement & Cable Cap Assembly



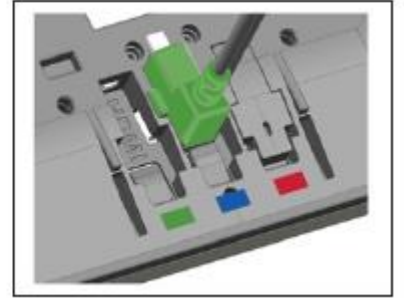
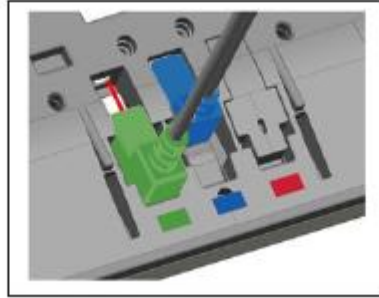
## 4) Hinge Cover Assembly



### 3. Cable Detachment



Push the Hook



### 4. Cable Cap Detachment

