

MIMO PLANKTON Assembly Instructions

1. Components



SCREEN



Stand



Hinge Cover



Cable Cap



Stand Screws



HDMI Cable



USB 3.0 Cable



Power Cable

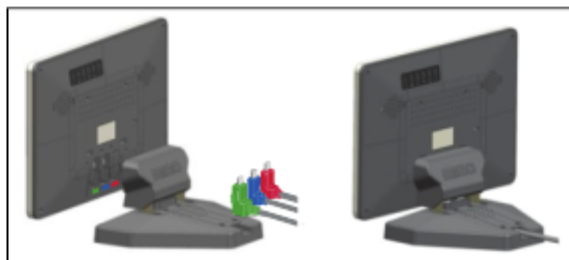


USB (DC)



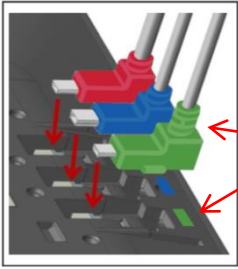
Cable Cover Screws

MIMO PLANKTON Assembly



2. Assemble instruction

2-1. Cable Assembly



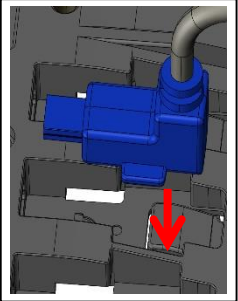
- 1) Insert the cable with the same color plug as the sticker color on the back of the screen into the housing as shown

Same Color

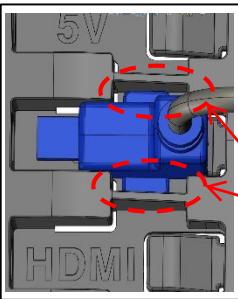
Green cable: HDMI Cable

Blue cable: USB 3.0 Cable

Red cable: Power Cable

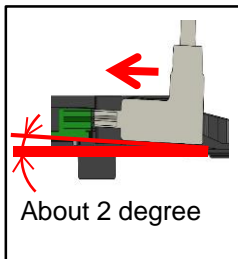


- 2) Adjust the cable plug wing into the designated housing



- 3) Align cable plug wings with the housing

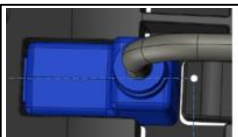
Wings



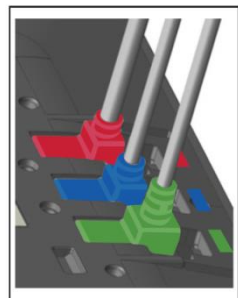
- 4) Lift the front of the cable plug slightly upward (about 2 degrees) to align with the internal connector.

- 5) Push the cable plug into the connector. If the connector ends are properly aligned, insertion does not require significant force.

*** Caution : Do not push the cable plug with more than 6kg force. An insertion force of much more than 6kg force may cause product damage or the connector to be damaged**

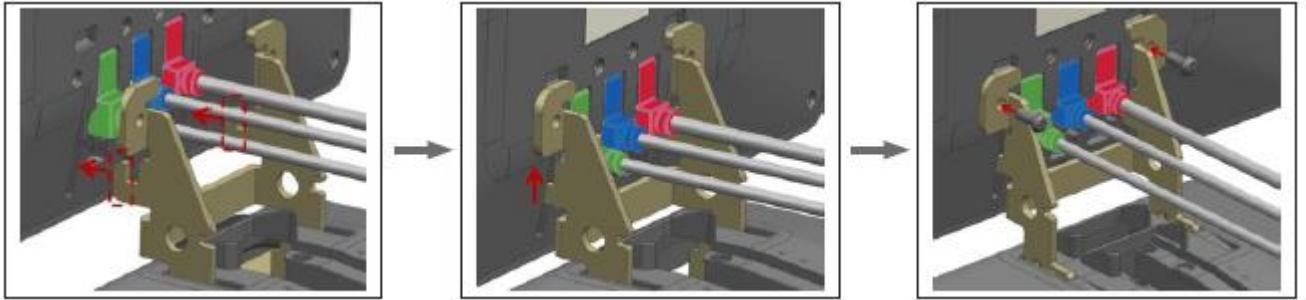


- 6) Check if the cable plug is connected correctly as shown in the picture.

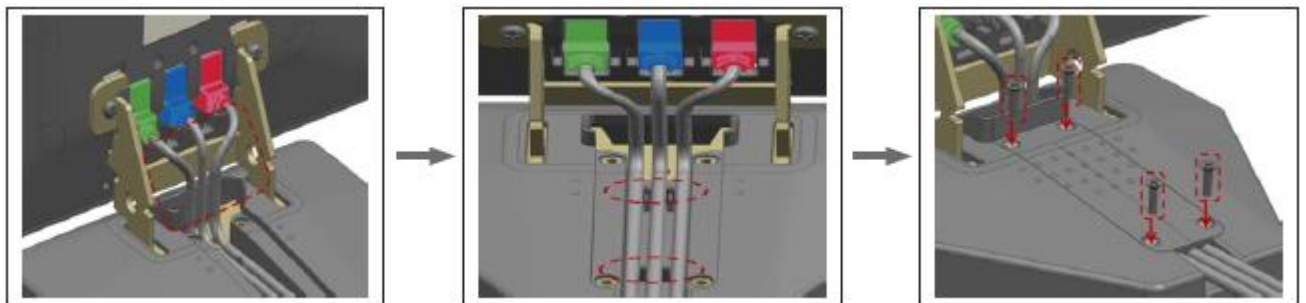


- 7) Repeat to connect each cable as shown above and verify if all cables are connected properly

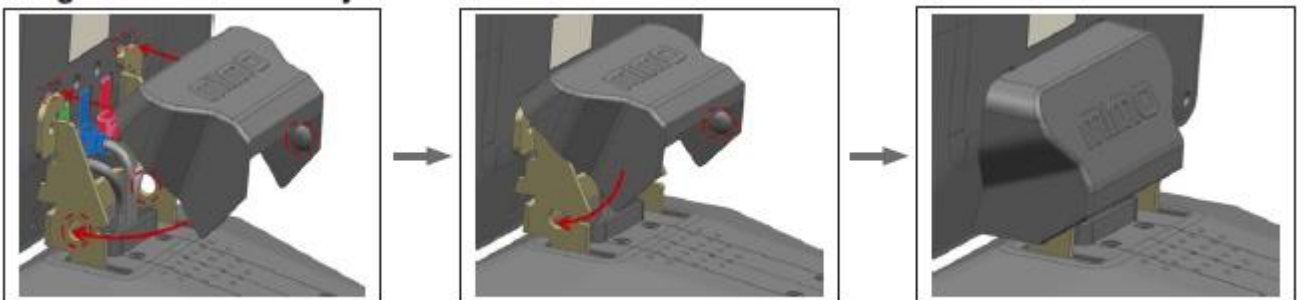
2) Stand Assembly



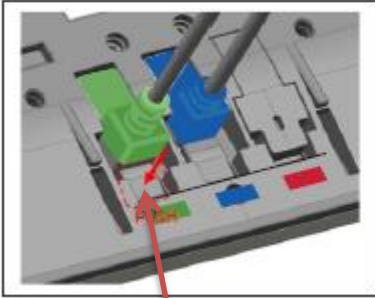
3) Cable Arrangement & Cable Cap Assembly



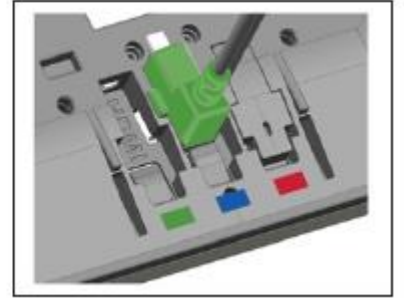
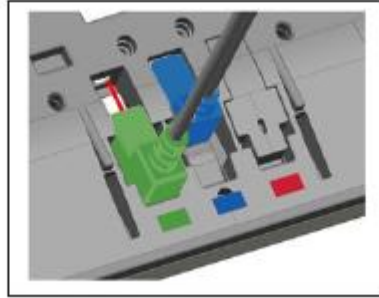
4) Hinge Cover Assembly



3. Cable Detachment



Push the Hook



4. Cable Cap Detachment

