

Mimo Media Player MMP-S070A & MMP-S102A



A simple but efficient solution for advertising Plug and Play Media Player Systems.

An Ideal Solution for Advertising

The Mimo Media Player is designed for users in need of an easy but efficient mountable video player. The player includes built in stereo speakers so your audience can hear your media as well as see it. With the ability to playback MPEG, AVI, DVIX and XVID videos, MP3 audio and JPG and BMP images, the Mimo Media Player can handle all of your content. In addition, it features a printable front acrylic sheet allowing the player to be easily customized with your own graphics.

Available in 7" or 10.2" Sizes

The Mimo Media Player is available in 7" (800x480 resolution) or 10.2" (1024x576 resolution). The high quality ABS case is standard in white, but can be customized upon request.

Motion Sensor Function

The optional motion sensor function can control the audio/video output to only activate when motion of a human body is detected. By remote control, the motion sensor function can be turned off, or can be set up for different play intervals.

SD Card Storage and Playback

The Mimo Media Player does not use built-in flash memory, but instead it uses changeable SD cards (with a locked cover for protection). Not only can users choose different memory sizes, but your investment is protected if the SD card fails after certain time of use.

Auto Update Function by Direct USB Access

By simply inserting a USB key into the device, the media files in the device can be updated automatically, which saves users from opening the memory card lock. With a secure file required on the USB key, you are ensured that only authorized persons are able to change the contents in the device.



MMP-S070A

Quick Control Buttons

To protect many users from having problems when losing the remote control, the Mimo Media Player has 7 quick control buttons on the back. With these buttons, the user can set up the display for colors, brightness, contrast, adjust the volume, set up the playback mode and choose the current playing media file.

Auto Loop Video Playback

Once connected to power, the Mimo Media Player will start playing back the media files automatically. Media files can be set up by remote control or quick control buttons to playback in a loop, in a sequence, or individually.

Users can choose to display photo messages as well with various playback modes, such as fade in fade out, expansion horizontal, expansion vertical, and more. In addition, users can also choose the interval time of between each photo message.

Flexible Mounting Options

Be it table mounting, floor mounting, or shelf mounting, we can always help find or design the most suitable brackets for installing and securing the player to any desired location within your space.



MMP-S102A

MMP-S070A

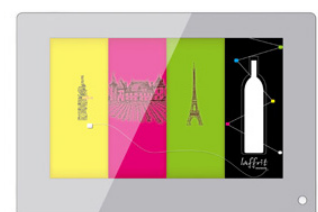


MMP-S102A



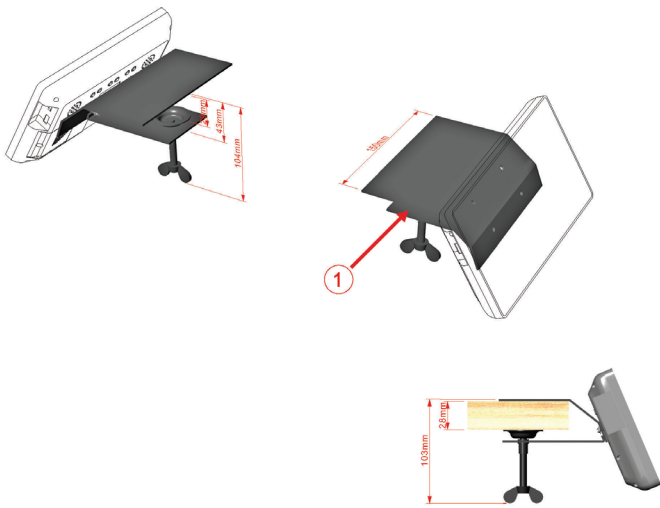
Technical Specifications

		MMP-S070A	MMP-S102A
Panel	Screen Size	7" Digital	10.1inch
	Active Area	154.08(H) x 85.92(V)	222.72(H) x 125.28(V)
	Resolution	800 x 480	1024 x 576
	Pixel pitch	0.0642(W) x 0.1790(V)	0.2175(H) x 0.2175(V)
	Brightness	250cd/m ²	200cd/m ²
	Contrast Ratio	(500:1)	(500:1)
	Aspect Ratio	(16:9)	(16:9)
	Viewing Angle	70/70/50/70(L/R/U/D)	45/45/15/35(L/R/U/D)
Content Storage and update	Content Storage	SD card	SD card
	Content update	USB key (auto conten update by USB key / setting up a "pop" folder in the USB key , copy the media files into the USB key and plug the USB key into the device)	USB key (auto conten update by USB key / setting up a "pop" folder in the USB key , copy the media files into the USB key and plug the USB key into S102A)
Audio	Built-in stereo speakers	1.5W x2	2W x2
Power	Power input	DC 12V, 1.5A	DC 12V, 2A
	Power consumption	15W	20W
Media support	Video	MPG, AVI, DVIX, XVID	MPG, AVI, DVIX, XVID
	Image	JPG, BMP	JPG, BMP
	Audio	MP3	MP3
Software function	Plug-and-play	Plug-and-Play / No windows OS	Plug-and-Play / No windows OS
	Auto playback and loop function	For video files	For video files
	Playback mode	Repeat one, repeat all	Repeat one, repeat all
	Quick button control	increase/decrease volume, adjust colors /brightness/contrast ratio, set up the playback mode "repeat one/all", select media file for instant playback	increase/decrease volume, adjust colors /brightness/contrast ratio, set up the playback mode "repeat one/all", select media file for instant playback
	Daily timer	By remote control	By remote control
	Motion sensor	Motion sensor function with stand-by and mute mode, with different interval time set up by remote control. Under stand-by mode, the device goes to stand-by mode when there is no human body detected; Under mute-mode, the audio output of the device would be shut down while the image/video is still on when there is no human body detected.	Motion sensor function with stand-by and mute mode, with different interval time set up by remote control. Under stand-by mode, the device goes to stand-by mode when there is no human body detected; Under mute-mode, the audio output of the device would be shut down while the image/video is still on when there is no human body detected.
General information	Case Material	High-quality ABS case	High-quality ABS case
	Case Color	Standard color: white(Customized color upon request)	Standard color: white(Customized color upon request)
	Front Acrylic sheet	Front acrylic sheet for protection	Front acrylic sheet for protection
	Vesa	Vesa 75 x 75mm	Vesa 75 x 75mm
	Storage Temp	(-30 -- 80 degree)	(-30 -- 80 degree)
	Working Temp	(-20 -- 70 degree)	(-20 -- 70 degree)
	Storage/Working Humidity	(10 -- 90 %)	(10 -- 90 %)
	Dimension	220x126x32.2mm	295x205x40mm
	Weight	0.55 kgs	1.2kgs
	Certificates	CE&Rohs	CE&Rohs

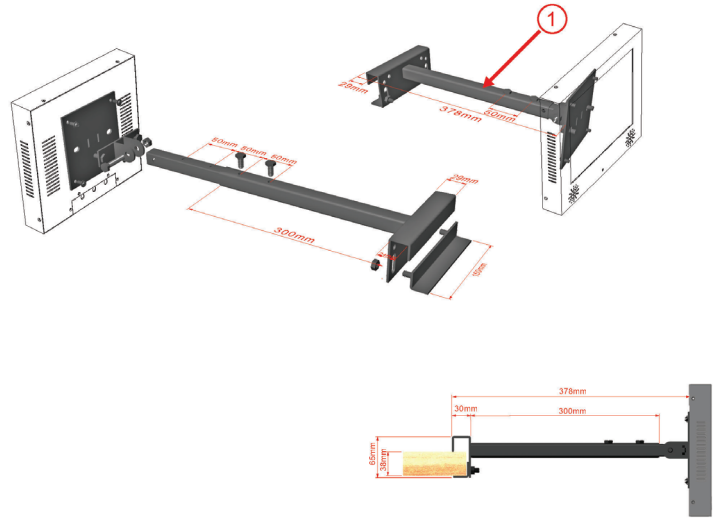


Mounting Bracket Options

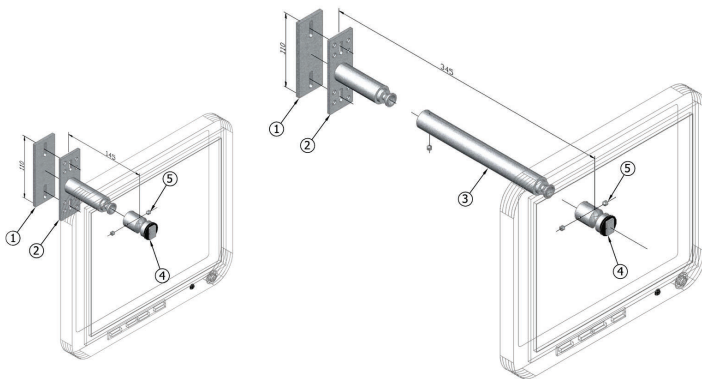
Bracket - SMB065LCD



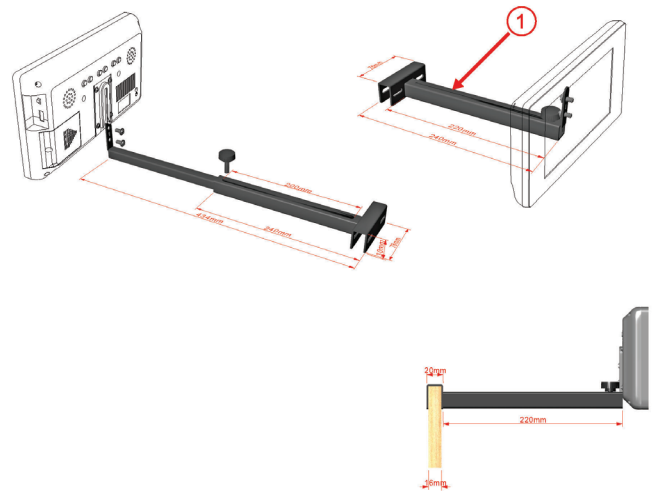
Bracket - F0701M



Bracket - SMS065LCD



Bracket - SMB070LCD



Mimo Monitors
 743 Alexander Rd. Suite 15
 Princeton, NJ 08540

info@mimomonitors.com
 Sales: 1-855-YES-MIMO (937-6466)