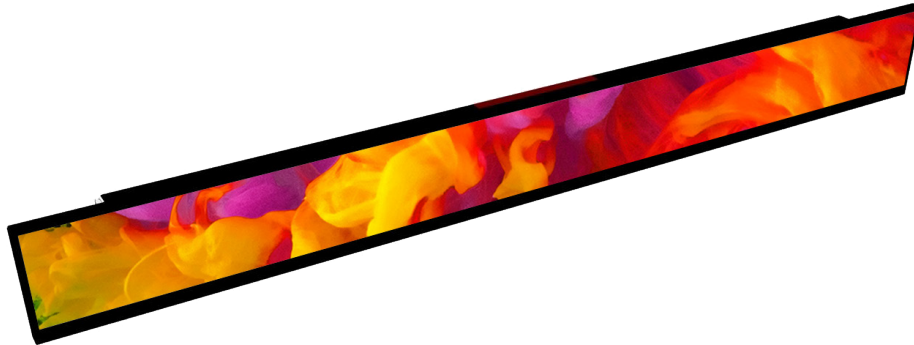


# 23" Shelf Edge Display User's Manual

Model: MSE-23016



Please keep this manual for future reference.

## TABLE OF CONTENTS

	PAGE
SAFETY INSTRUCTIONS.....	1
Declarations and Statements.....	2
WHAT'S IN THE BOX .....	3
Package Contents.....	3
MOVING THE DISPLAY.....	4
Unpacking the Display.....	4
Carrying the Display.....	6
Placing the Display.....	6
Setting Down the Display.....	6
MOUNTING THE DISPLAY.....	7
Adjusting the Display.....	7
Wall Mount Specifications.....	8
SETTING UP THE DISPLAY.....	9
Main Components.....	9
Connecting the Power Cable.....	10
CONNECTING THE DISPLAY.....	11
Using the Micro-USB Port.....	11
Using the Micro-HDMI Port .....	22

# SAFETY INSTRUCTIONS

Please carefully read through and keep the following instructions for future reference before using the display.

- Before using the LCD display, please read this manual completely and follow the guidelines to protect your own and other people's property and avoid causing serious injury.
- DO NOT use this apparatus near water or install in a high-humidity environment.
- DO NOT place this apparatus in direct sunlight or install near any heat sources (such as radiators, heat registers, or stoves).
- DO NOT block any ventilation openings. Always leave a space of at least 10cm around this apparatus. The slots and openings are provided to protect the display from overheating and to help maintain reliable operation of the display.
- NEVER place this apparatus on an unstable cart, stand, bracket, or table. It may cause serious personal injury, death, or serious damage to the display.
- When positioning the display, make sure the power plug and outlet are easily accessible and protect the power cord from being walked on or pinched.
- DO NOT overload the wall outlets and connect too many appliances to the same AC power outlet.
- DO NOT use any unapproved items or cables to connect to this apparatus.
- DO NOT defeat the safety purpose of the polarized or grounding type plug.
- ONLY USE accessories specified by the manufacturer.
- Clean only with a dry cloth and turn the power off before cleaning.
- Keep this apparatus and all package contents (including the EPE foam packaging cushion and protective board) out of the reach of children at all times.
- Never attempt to repair or open the display by yourself. Opening and removing the covers may expose you to dangerous voltage or other hazards. Failure to follow this WARNING may result in death or serious injury. Please contact your dealer or a service technician for assistance.
- Too much screen time may hurt your eyesight. Rest your eyes for 10 minutes after 30 minutes of screen time.
- Kids under 2 years old should not watch the screen, and kids over 2 years old should not watch the screen for more than 1 hour per day.



**WARNING:** If using a Class I adapter, connect only to a grounded electrical outlet.

---

Consult an authorized service technician if the display does not operate normally when you have followed the instructions in this manual.

# Declarations and Statements

## Federal Communications Commission (FCC) Statement



This device complies with Part 15 of the FCC Rules. Operation is subject to the following two conditions: (1) this device may not cause harmful interference, and (2) this device must accept any interference received, including interference that may cause undesired operation.

15.21

You are cautioned that changes or modifications not expressly approved by the party responsible for compliance could void your authority to operate the equipment.

15.105

*This equipment has been tested and found to comply with the limits for a Class A digital device, pursuant to Part 15 of the FCC Rules. These limits are designed to provide reasonable protection against harmful interference when the equipment is operated in a commercial environment. This equipment generates, uses, and can radiate radio frequency energy and, if not installed and used in accordance with the instructions manual, may cause harmful interference to radio communications. Operation of this equipment in a residential area is likely to cause harmful interference in which case the user will be required to correct the interference at his own expense.*

Please use the supplied power adapter and power cord to ensure the FCC compliance. If a power cord is not provided, please contact your supplier.

### CE statement:



This product complies with the following standards:

- EN 61000-3-2:2014
- EN 61000-3-3:2013
- EN 55032:2015/AC:2016 Class A
- EN 55024::2010+A1:2015

WARNING: Operation of this equipment in a residential environment could cause radio interference.

## Declaration of the Presence Condition of the Restricted Substances Marking

Equipment Name: LCD Display			Type Designation (Type): G229HAF01.0			
Unit	Restricted substances and its chemical symbols					
	Lead (Pb)	Mercury (Hg)	Cadmium (Cd)	Hexavalent chromium (Cr <sup>+6</sup> )	Polybrominated biphenyls (PBB)	Polybrominated diphenyl ethers (PBDE)
Printed circuit board	—	○	○	○	○	○
Cover	○	○	○	○	○	○
LCD Panel	○	○	○	○	○	○
Power cable	—	○	○	○	○	○
<p>Note 1 : “Exceeding 0.1 wt %” and “exceeding 0.01 wt %” indicate that the percentage content of the restricted substance exceeds the reference percentage value of presence condition.</p> <p>Note 2 : “○” indicates that the percentage content of the restricted substance does not exceed the percentage of reference value of presence.</p> <p>Note 3 : The “—” indicates that the restricted substance corresponds to the exemption.</p>						

Mimo Monitors

info@mimomonitors.com

Sales: 1-855-YES-MIMO (937-6466)

# WHAT'S IN THE BOX

## Package Contents (Master Pack of 6)

Check your product box for the following items. If there are any missing accessories, contact the local dealer where you purchased your display. The illustrations in this manual may differ from the actual product and items.



Display x 6



Adapter x 6



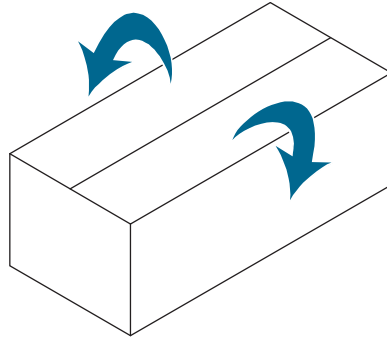
Power Cord x 6

# MOVING THE DISPLAY

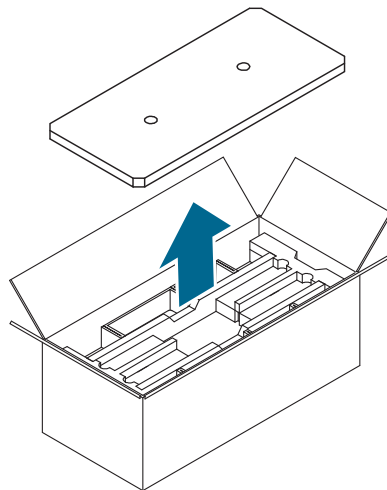
## Unpacking the Display

Before unpacking the display, prepare a flat and stable surface near a wall outlet. Set the product box in an upright position according to the arrow markings on the outside of the product box.

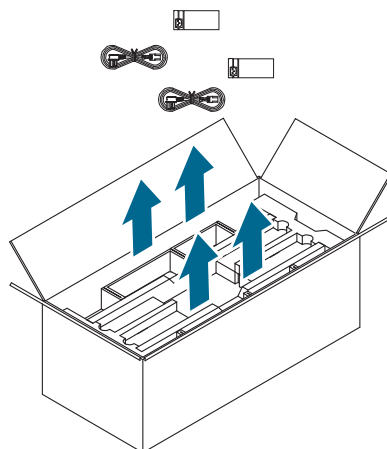
1. Open the product box from the top side.



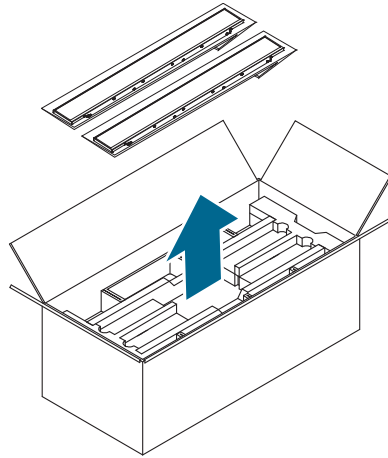
2. Remove the top EPE cushion.



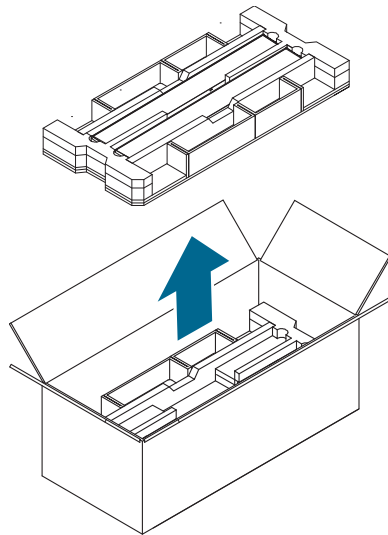
3. Remove two sets of accessories from the side compartments in the top layer.



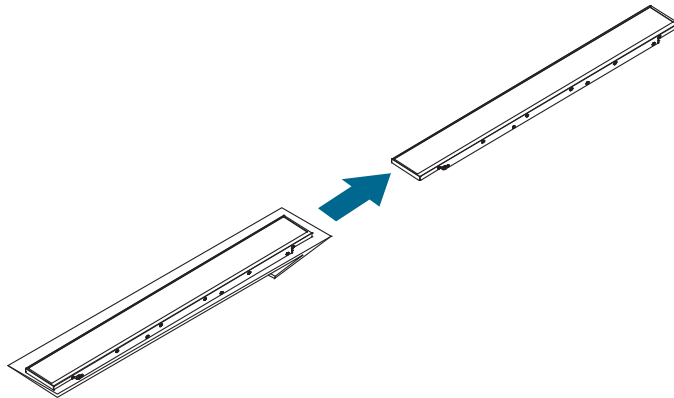
4. Remove two displays, one by one, from the center compartment of the top layer.



5. Remove the cardboard and EPE foam base of the top layer.

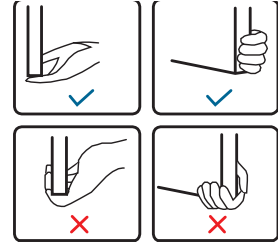


6. Repeat steps 3 to 5 for the second layer.
7. Repeat steps 3 to 4 for the third layer.
8. Remove the electrostatic bags covering each display.



# Carrying the Display

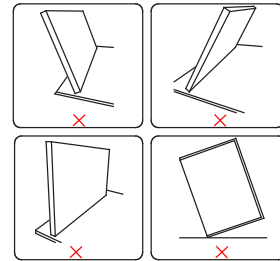
When carrying the display, always hold the display securely using both hands. When gripping the display do not put force on the screen.



**CAUTION:** Avoid applying force or using sharp objects on the screen at all times.

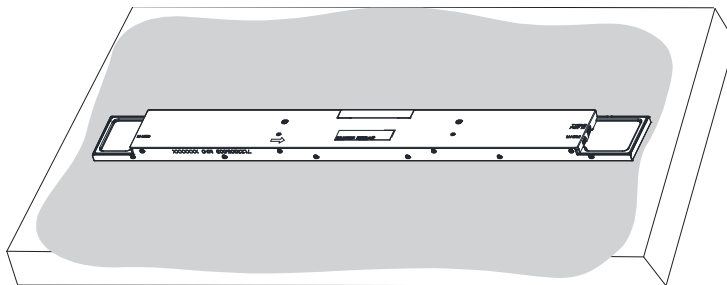
# Placing the Display

When placing the display, always put the screen face down as illustrated in the Setting Down the Display section. Never stand the display upright. Never tilt the display towards the left, right or balanced on a single corner of the frame.



# Setting Down the Display

When setting the display down, place the screen face down on a flat and stable surface covered by a protective sheet and a table cushion as shown in the illustration provided.



**CAUTION:** Never press or place anything on the back cover. This may damage the internal parts of the display.

# MOUNTING THE DISPLAY

## Adjusting the Display

To avoid injuries, follow the installation instructions to safely install the display onto a wall. It is recommended to allow a certified installation company conduct the wall mounting operation.

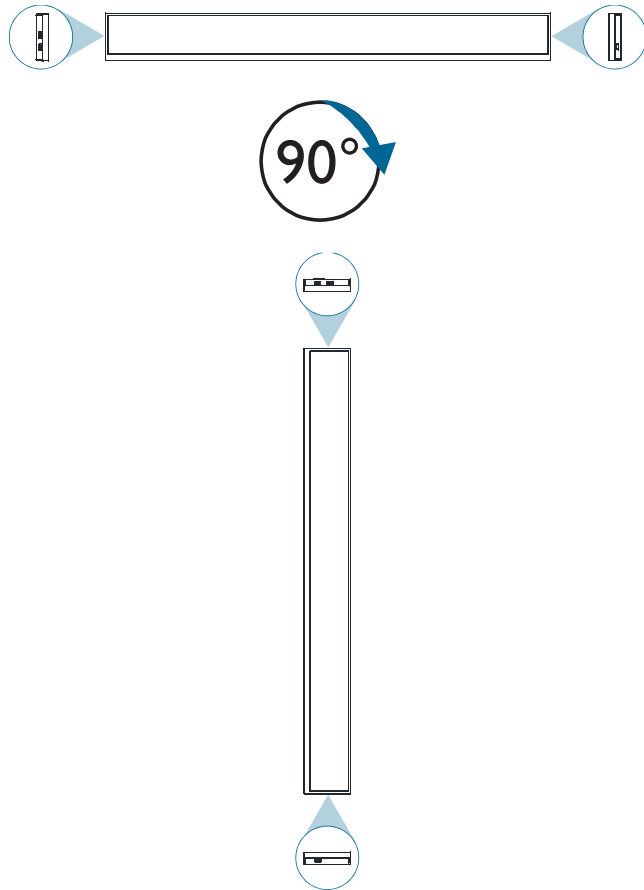


**CAUTION:** Dropping the display may cause injuries to people around it.



**NOTE:** A wall mount may be purchased separately for easier installation.

If you want to use the display vertically or horizontally, adjust the display such that the Micro-USB port on the back of the display is pointing downward or (as illustrated below). If the display is not mounted in such a way the display may not function properly.

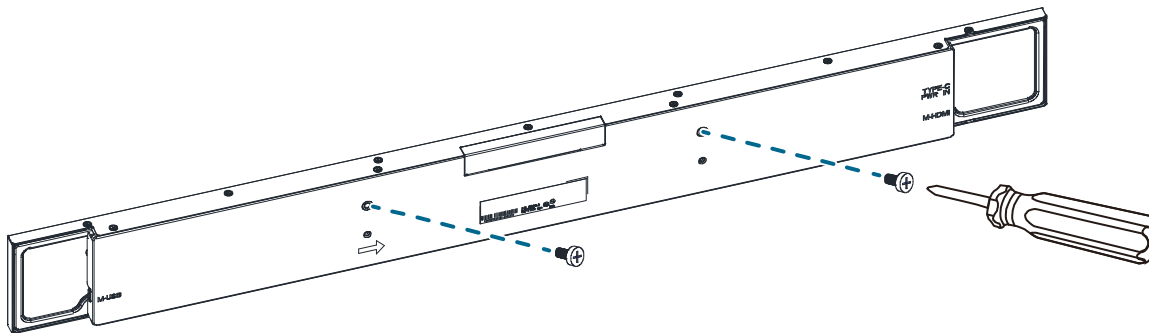
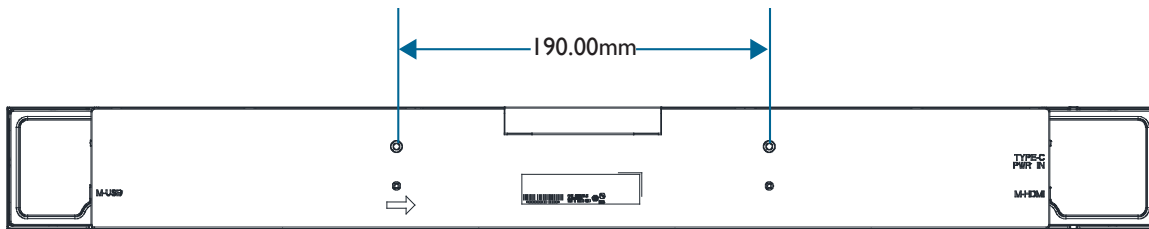


**NOTE:** Before mounting, make sure there is space to connect your devices. See “CONNECTING THE DISPLAY” on page 13.



# Wall Mount Specifications

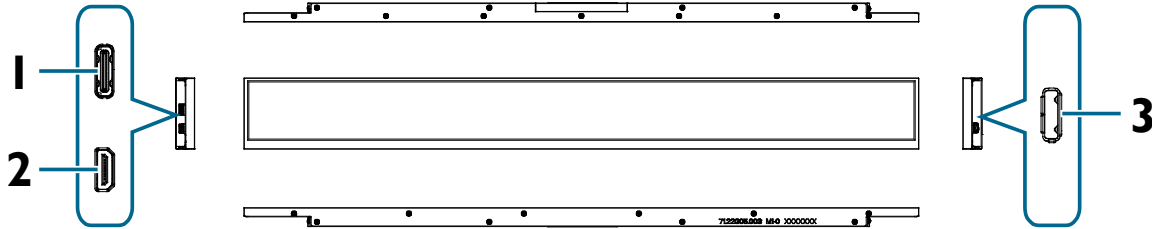
The back of the display is equipped with two screw-holes with a width of 190.00mm that allow for mounting. Firmly secure a mount onto the display using two M3x4mm length screws (maximum torque: 8 kgf-cm).



# SETTING UP THE DISPLAY

## Main Components

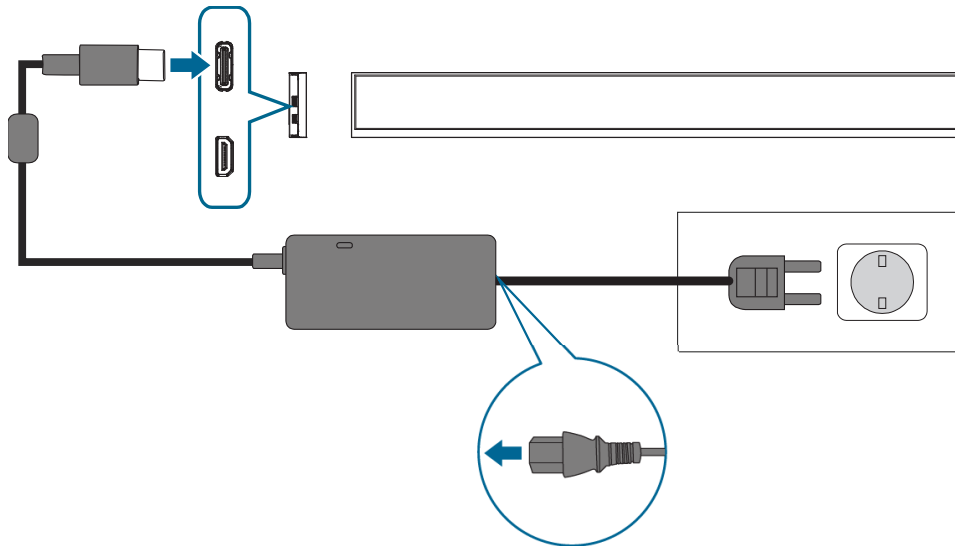
The following image and table show the location of the connectors and other components.



Item	Description
1 TYPE-C PWR IN (Power)	Connects with the supplied adapter and power cord.
2 M-HDMI (Micro-HDMI)	Connects with devices transmitting audio/video using the HDMI interface.
3 M-USB (Micro-USB)	Connects with storage devices containing video and image files.

# Connecting the Power Cable

1. Connect the adapter to the display.
2. Connect the power cord to the adapter.
3. Fully insert the plug the power cord into the power outlet socket.



Once the power connection is connection is made, the display will automatically power on.



**CAUTION:** Loose connections may cause noise. Do not plug and unplug the power cord repeatedly in a short period of time.



**NOTE:** The supplied power cord varies depending on the country where you purchased this apparatus. For all cases, use a power cord that matches the AC voltage of the power outlet and has been approved by and complies with the safety standard of your country.



**NOTE:** Be sure use applicable AC/DC adapter: Manufacture WEIHAI Power Electronics Co., Ltd. Model: AMB-036-12.



**CAUTION:** When disconnecting the AC power cord, be sure to first disconnect the plug from the outlet socket.

# CONNECTING THE DISPLAY



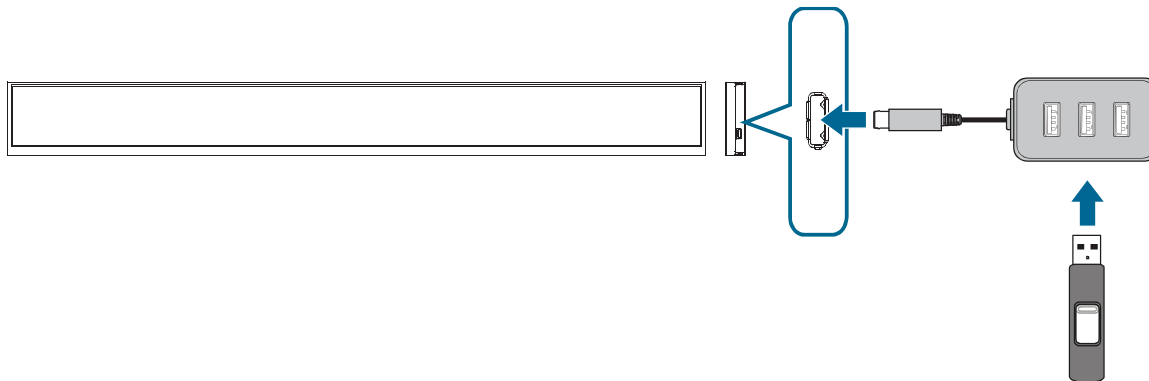
**NOTE:** Before making connections, make sure that the power for all the connected equipment is off.

## Using the Micro-USB Port

1. Connect a Micro-USB-to-USB adapter cable or hub to the M-USB input port on display.
2. Connect a USB flash drive to the adapter cable or hub. Once connected the display will automatically display the video/image files located on the flash drive.



**NOTE:** If a device is connected to the display via the Micro-HDMI port, the display will prioritize the video output from the Micro-HDMI port. To play video/images from the flash drive, you must first disconnect the device connected to the Micro-HDMI port.

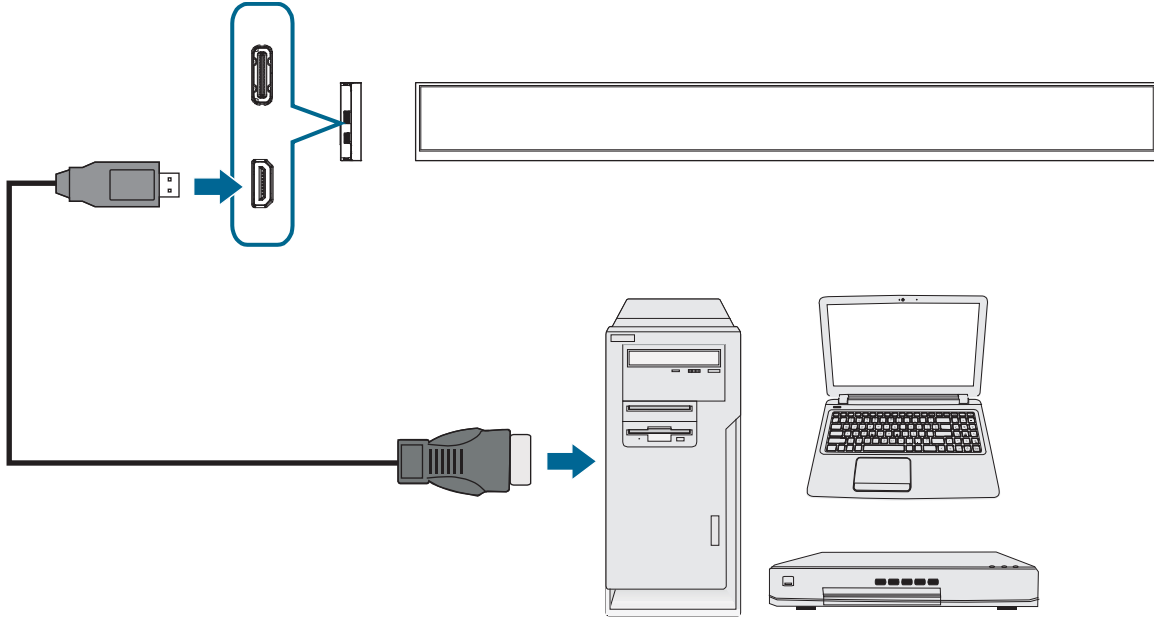


**NOTE:** The display only supports the following video/image file formats (with their listed resolution) via the Micro-USB port:

- MP4 (H.264/AVC) - 1920x1080, 1920x165
- JPG - 1920x1080, 1920x165
- BMP - 1920x1080, 1920x165

# Using the Micro-HDMI Port

1. Connect a Micro-HDMI-to-HDMI cable to the HDMI output port on a computer or A/V device.
2. Connect the Micro-HDMI-to-HDMI cable to the M-HDMI input port on the display. Once connected the display will automatically display the video/images output by the device.



**NOTE:** The native resolution for the display as transmitted via EDID is 1920x165. The display also supports 1920x1080 resolution but will only feature the top section (165 pixels) of the video/image.