

Mimo 15.6" Open Frame Display

Models: M15680-OF / M15680C-OF



This open frame display employs the latest LCD technology to ensure high reliability and the best user experience.

15.6" Open Frame Display

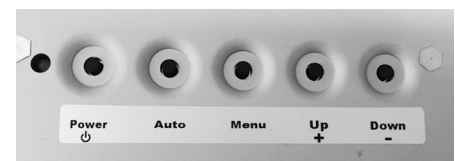
Designed for demanding environments, The Mimo 15.6" Open Frame series delivers a long life cycle, high definition touch experience to a wide range of commercial and industrial applications. Featuring an molded front bezel to control dust and liquids, VGA/DVI video along with VESA and or flange mount capability, the Mimo Open Frame family make the most of your digital world.

Features:

- 1920 x 1080 HD Resolution
- 16:9 Aspect Ratio
- 700:1 Contrast Ratio
- 300 cd/m2 Brightness
- 85/85/85/85 Wide Viewing Angle
- VESA (75 mm & 100 mm) and Flange Mounting Options
- Touch Screen Optional (M15680C-OF)
 - 10 point Capacitive (PCAP) Touch Sensor
 - Windows 8 Plug & Play Touch Controller, USB
- Non-touch version has 2.4mm chemically strengthened glass in place of the PCAP sensor for added durability

Applications:

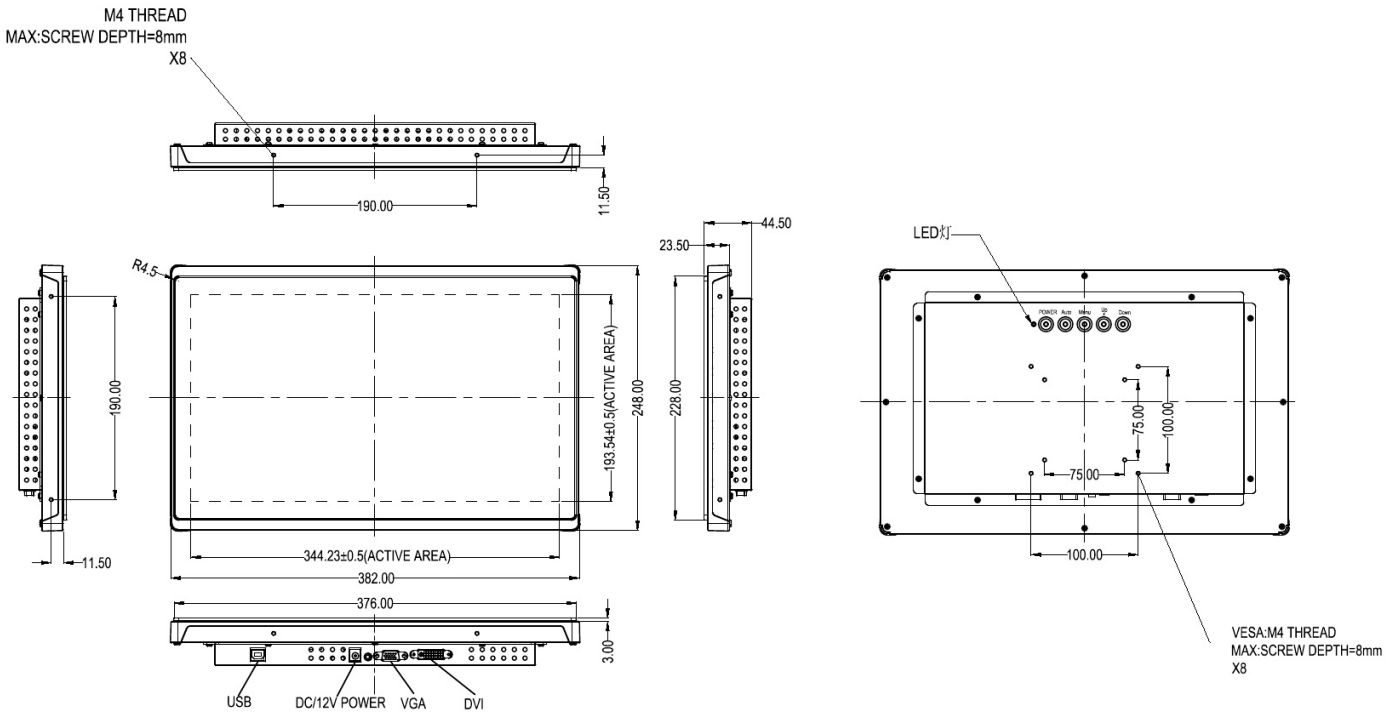
- Kiosk
- Gaming/Amusement
- Industrial Automation
- POP/POI



Product Specifications

LCD Panel	Backlight	LED
	Brightness	LCD Panel: 300 cd/m2
	Aspect Ratio	(16:9)
	Contrast Ratio	(700:1)
	Viewing Angle	Horizontal: 178° (89°/89°) Vertical: 178° (89°/89°)
	Response Time	11 ms
	Supported Color	16.7M Colors
	Resolution	1920 × 1080 @ 60 Hz
	Input Format	RGB Analog Signal/ Digital Signal
	Video Inputs	VGA / HDMI / DVI
Mechanical	Dimensions	382.0 x 248.0 x 44.50 mm
	Wall Mount Type	Side Mounting Bracket VESA 75mm&100mm
Electrical	Power Supply	Input: DC 12V±5%
	Normal Operation	20 W
	Power Off	2 W
Environment	Operation	0 °C ~ 50 °C
	Storage	(-20 °C ~ 60 °C)
Touch	Glass	Tempered Glass 3mm
	Touch Points	10
	Touch Technology	Projected Capacitive (PCAP)
	Touch Method	Finger / Capacitive Pen
	Touch Lifespan	≥50,000,000
	Response Time	≤10 ms
	Connection	USB 2.0
	Multi- Touch	Windows7/8, Android
	Single-Point OS	Windows XP, Linux

Dimensions and Mechanical Specifications



Mimo Monitors

743 Alexander Rd. Suite 15
Princeton, NJ 08540

info@mimomonitors.com

Sales: 1-855-YES-MIMO (937-6466)