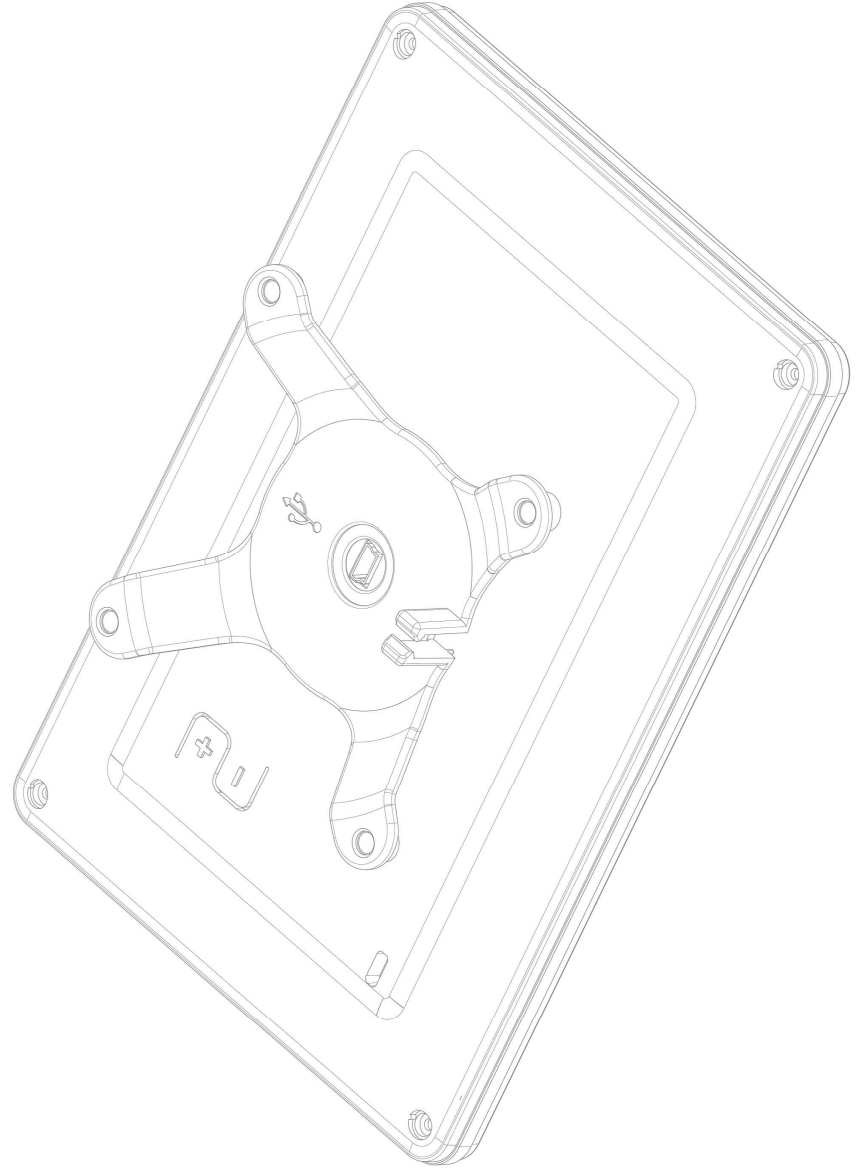
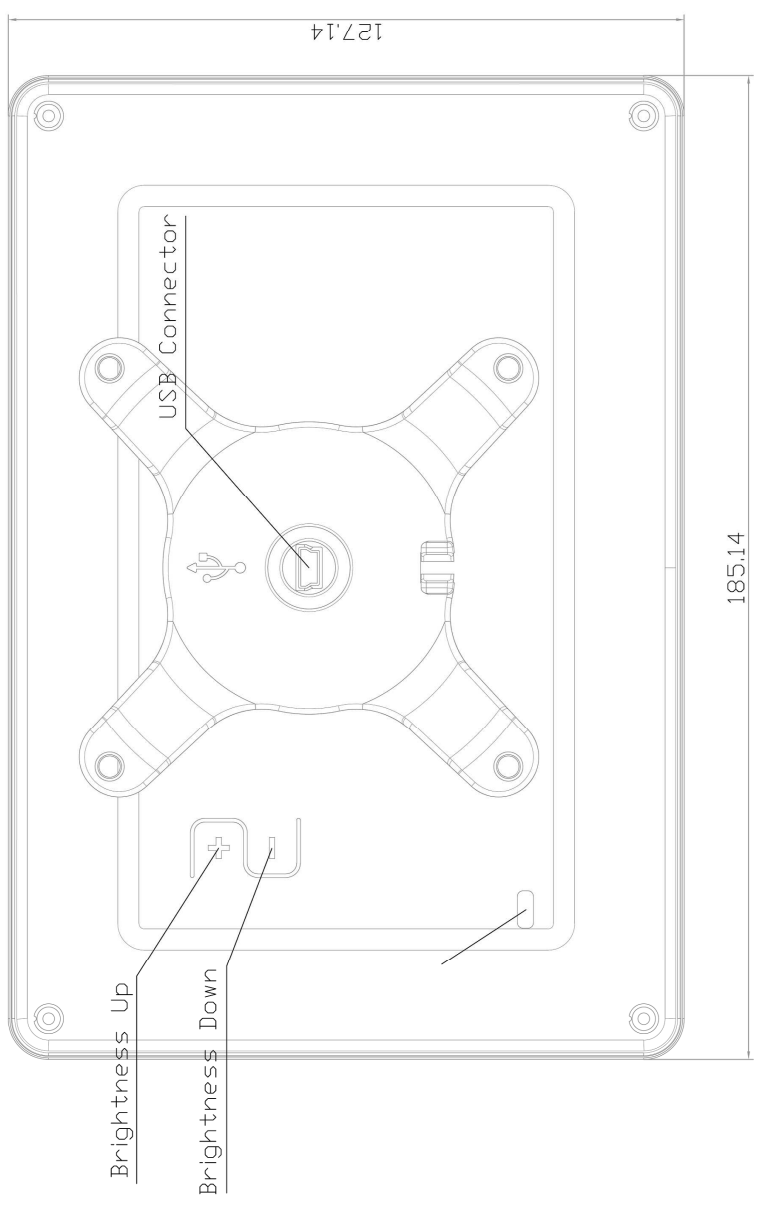
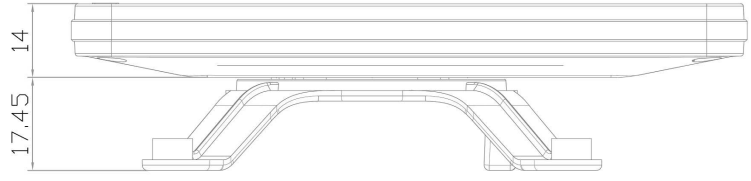
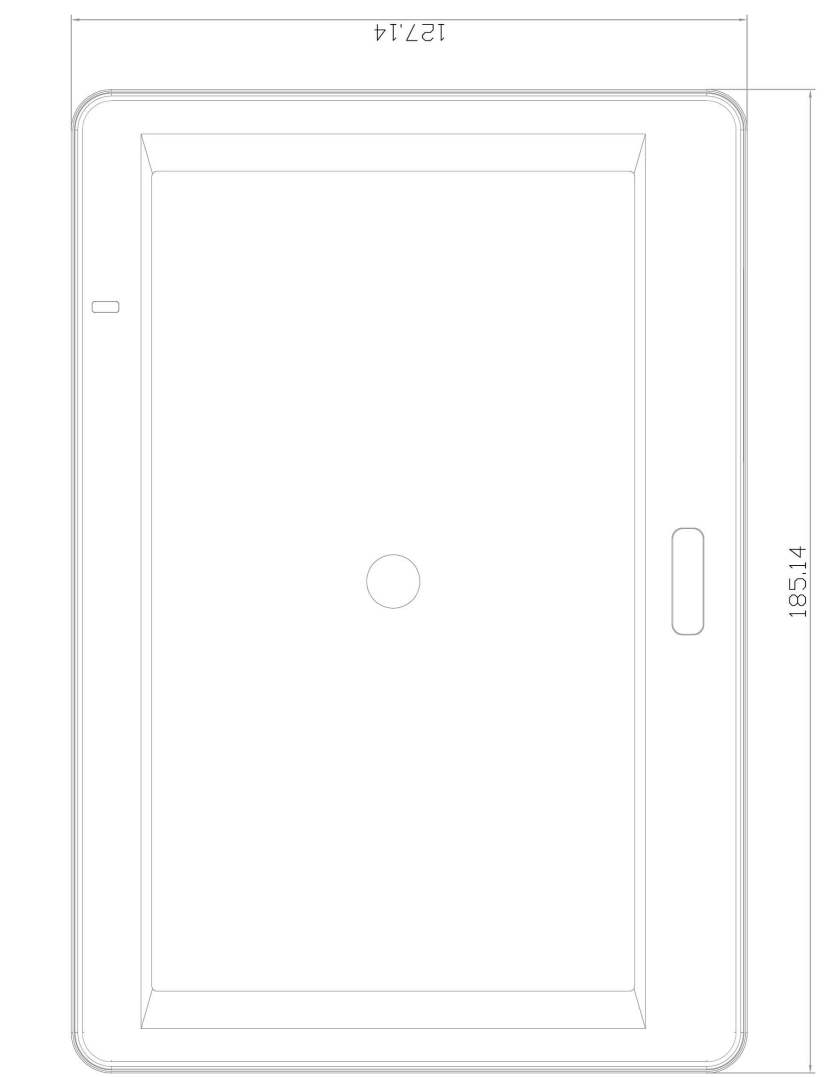


NO.	DATE	REVISION & DESCRIPTION	SIGNATURE	
			REVIEWED	CHECKED



NO.	DESCRIPTION	MAT'(KS)	TOTAL PERMIT		TOTAL WEIGHT(Kg)	REMARK'S	
			UNIT	QUANTITY		SCALE	PROJECTION
Mimo Monitors						SIZE	mm
UM-760 VESA Family - UM760RF & UM760CF						1	0
TITLE						EQUIPMENT	0
DRAWN						CHECKED	APPROVED
DATE						0	0
SIGNATURE						DATE	0
DESIGNER						DATE	0