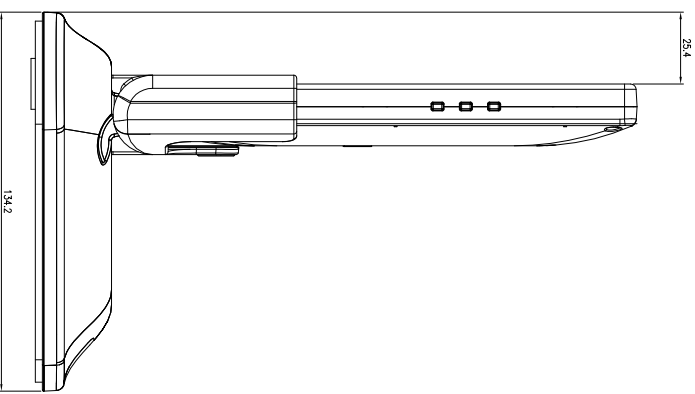
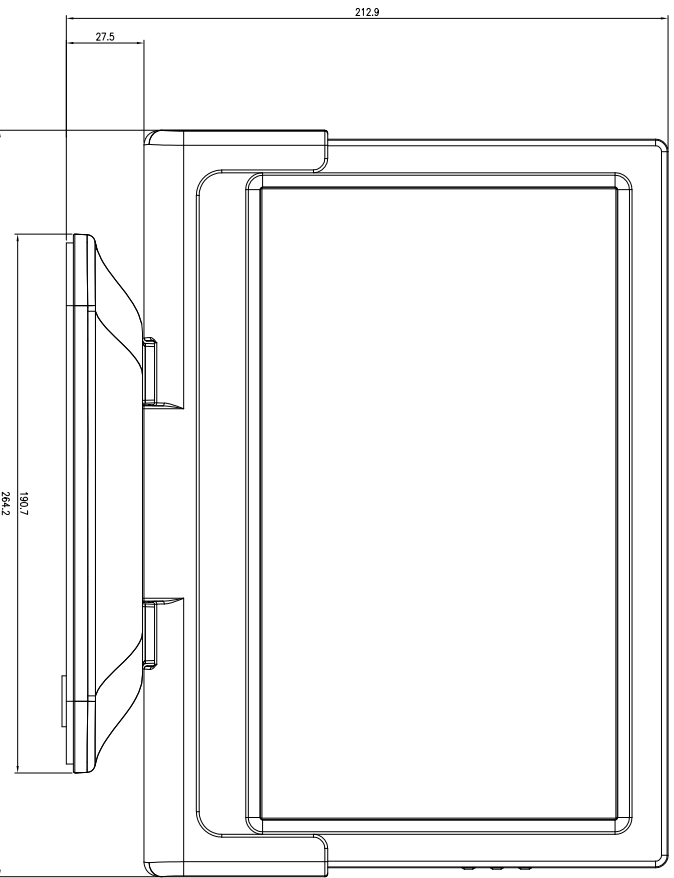
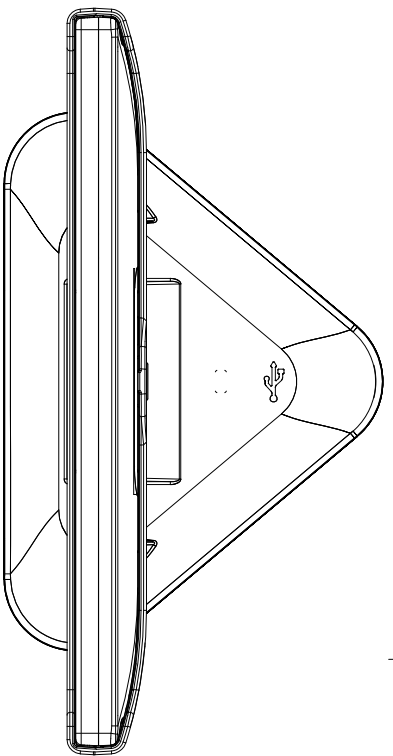


RevNo	Revision note	Date	Signature	Checked



No	Part Name	Description	Qty	etc
Designed by	Checked by	Approved by-date	Date	Scale
				1 / 1

**mimo**  
KOREA

TITLE  
**UM-1000**

DRAWING NUMBER

Edition

Sheet

