

1 2 3 4 5 6 7 8

RevNo	Revision note	Date	Signature	Checked

A

B

C

D

E

F

A

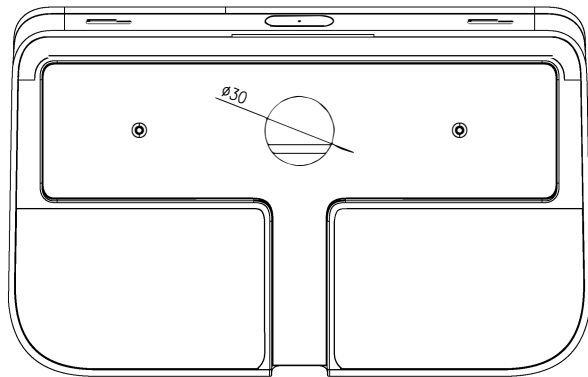
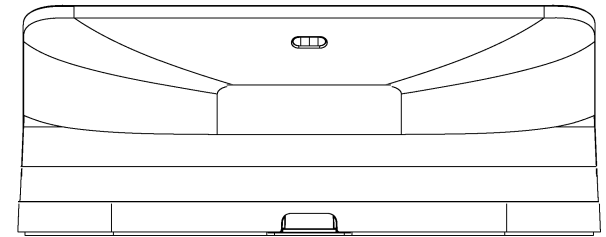
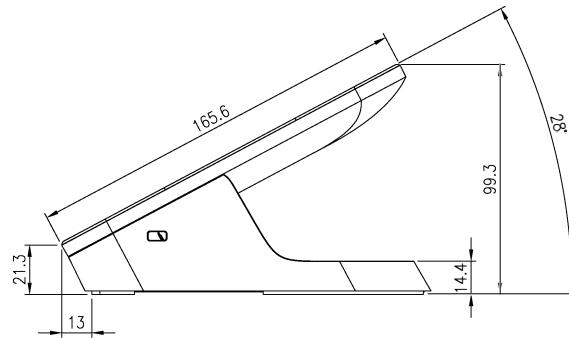
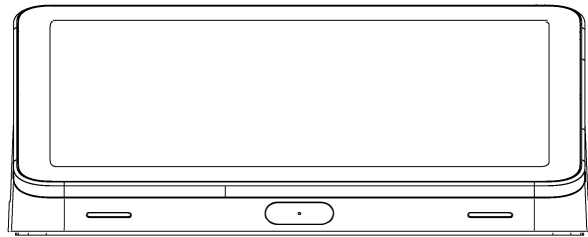
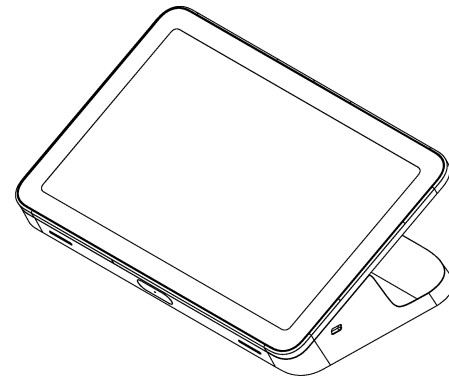
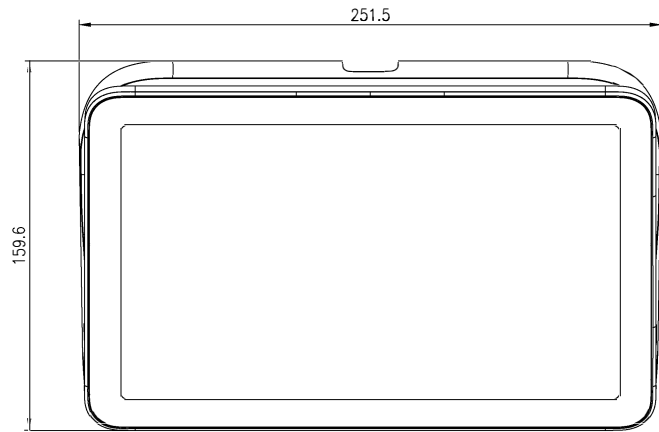
B

C

D

E

F



1 2 3 4 5 6 7 8

No	Part Name	Description	Q'ty	etc
Designed by	Checked by	Approved by-date	File name	Date
TITLE			UM-1090	
DRAWING_NUMBER			Edition	Sheet



1 / 1