

1 | 2 | 3 | 4 | 5 | 6 | 7 | 8

RevNo	Revision note	Date	Signature	Checked

A

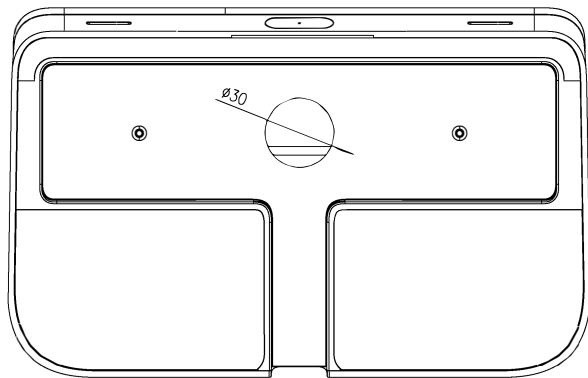
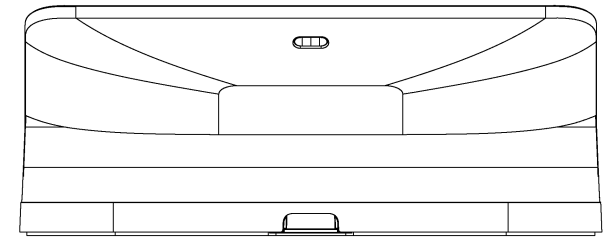
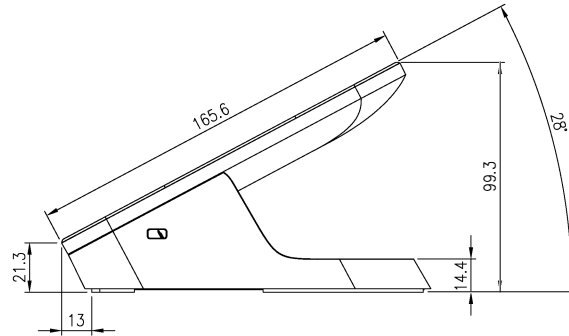
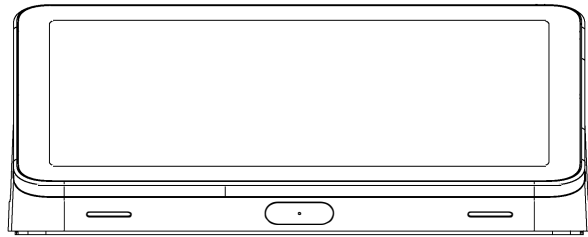
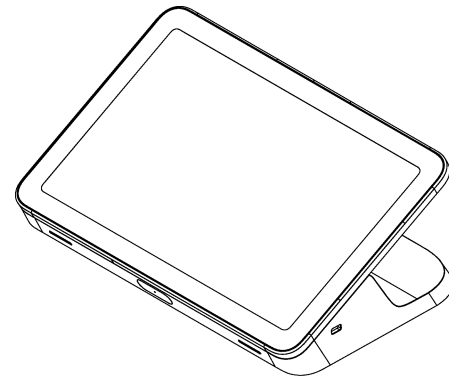
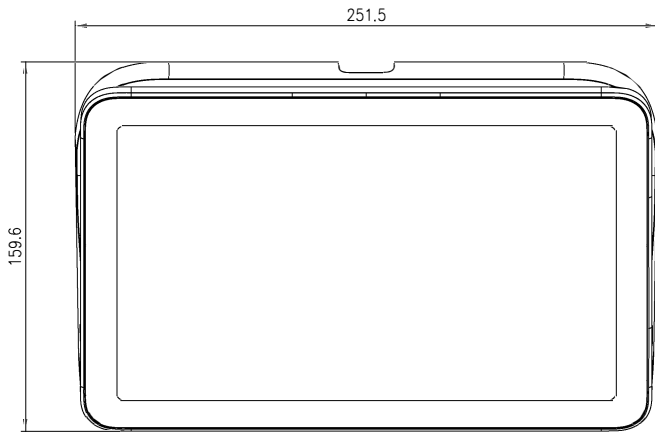
B

C

D

E

F



1 | 2 | 3 | 4 | 5 | 6 | 7 | 8

No	Part Name	Description	Q'ty	etc
Designed by	Checked by	Approved by—date	File name	Date
		TITLE <b>MY-1090 CV &amp; CP</b>		
DRAWING_NUMBER			Edition	Sheet

A

B

C

D

E

F