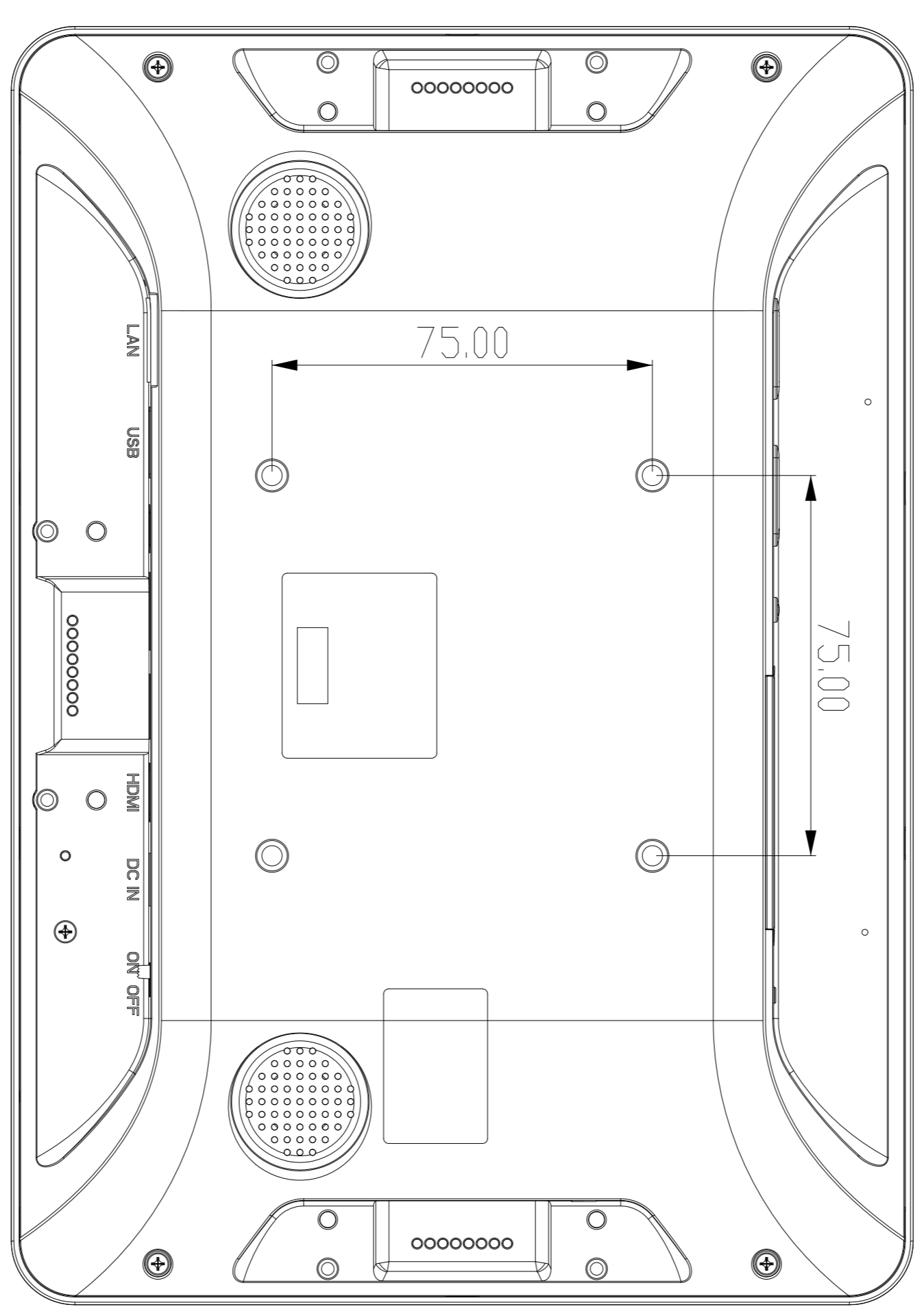
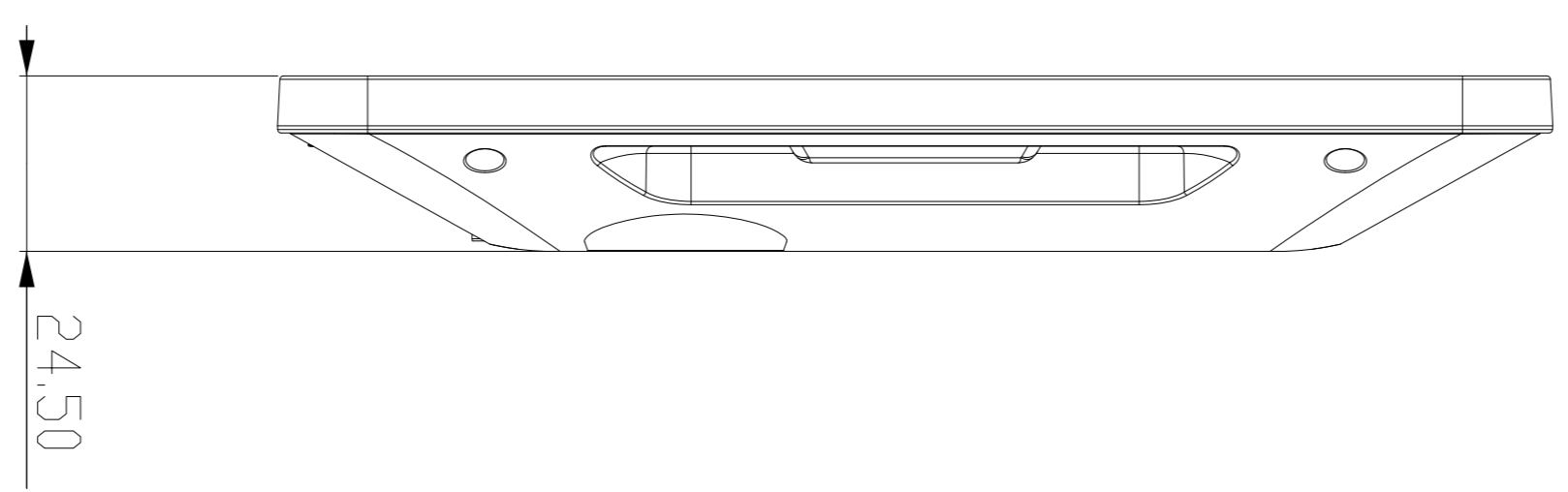
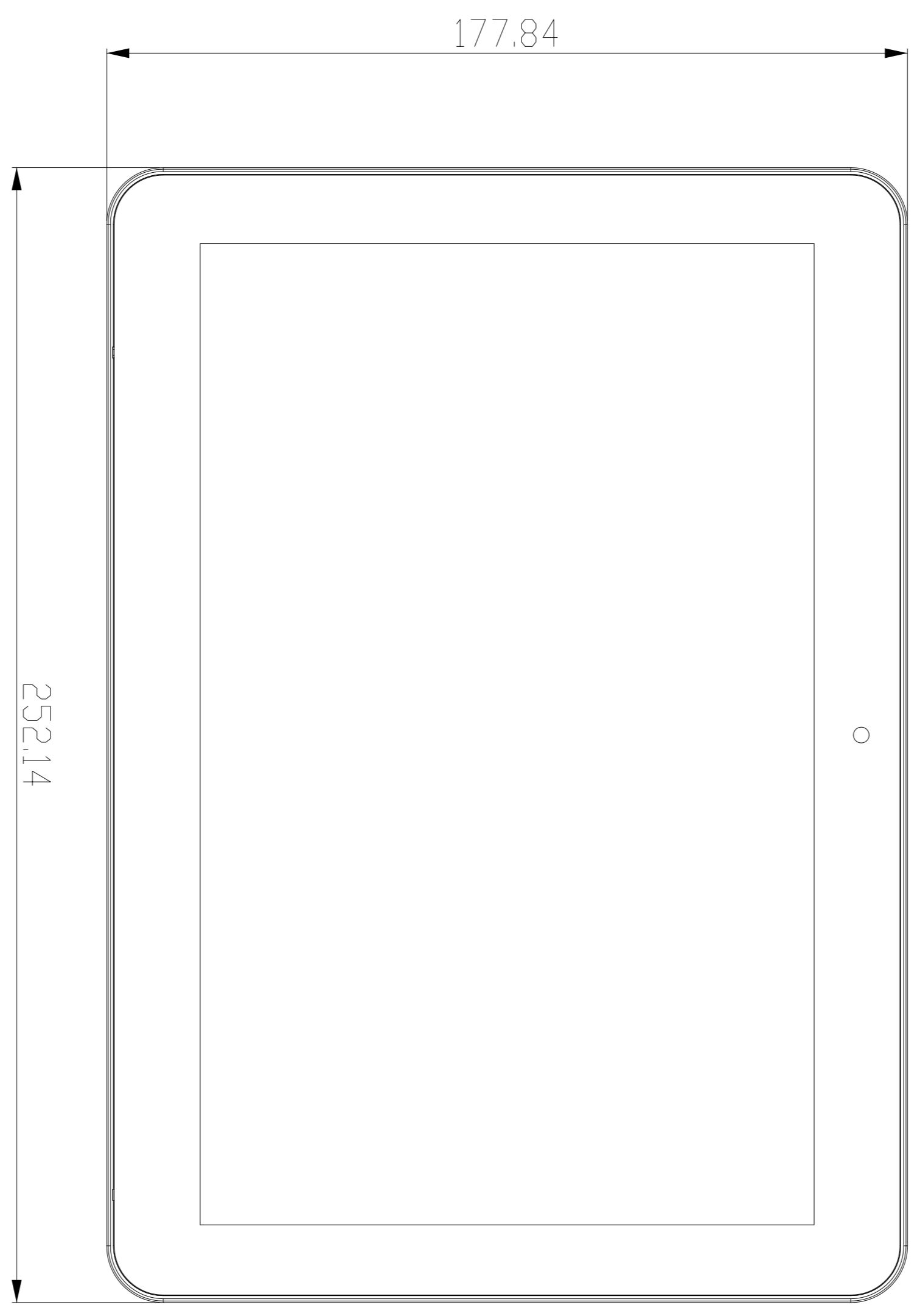
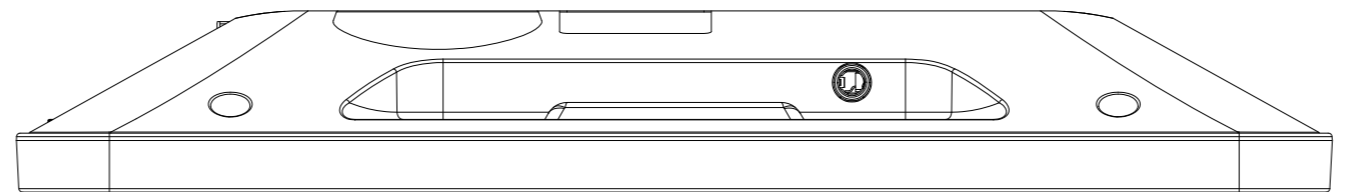
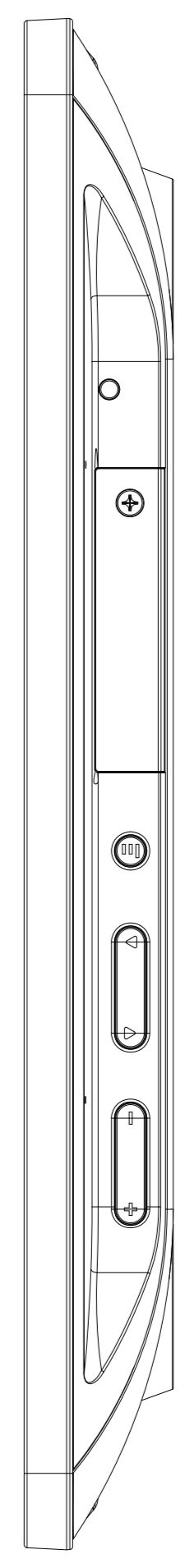


REVISIONS					
BLOCK	VERSION	SYMBOL	DESCRIPTION	REVISER	DATE



比例 1:000

Dimension range	Tolerance	A	B	C	Tolerance	A	Date	2023/01/9
250X →	XXX	± 0.40	± 0.45	± 0.50	Unit	MM	SCALE	1:1
200X →	250	± 0.35	± 0.40	± 0.45	Usage		PAGE	
150X →	200	± 0.30	± 0.35	± 0.40	Size	NON PROJECTION		
100X →	150	± 0.25	± 0.30	± 0.35	Material			
50X →	100	± 0.20	± 0.25	± 0.30	Treatment			
25X →	50	± 0.15	± 0.20	± 0.25	CHECKED			
0 →	10	± 0.05	± 0.10	± 0.15	DESIGN			
ANGLE		±1	±3	±5	Model			



DES 10P-RM WITH CAMERA

PN

Model 10P REV A