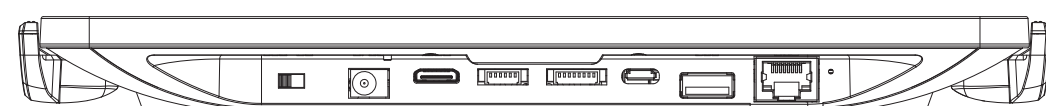
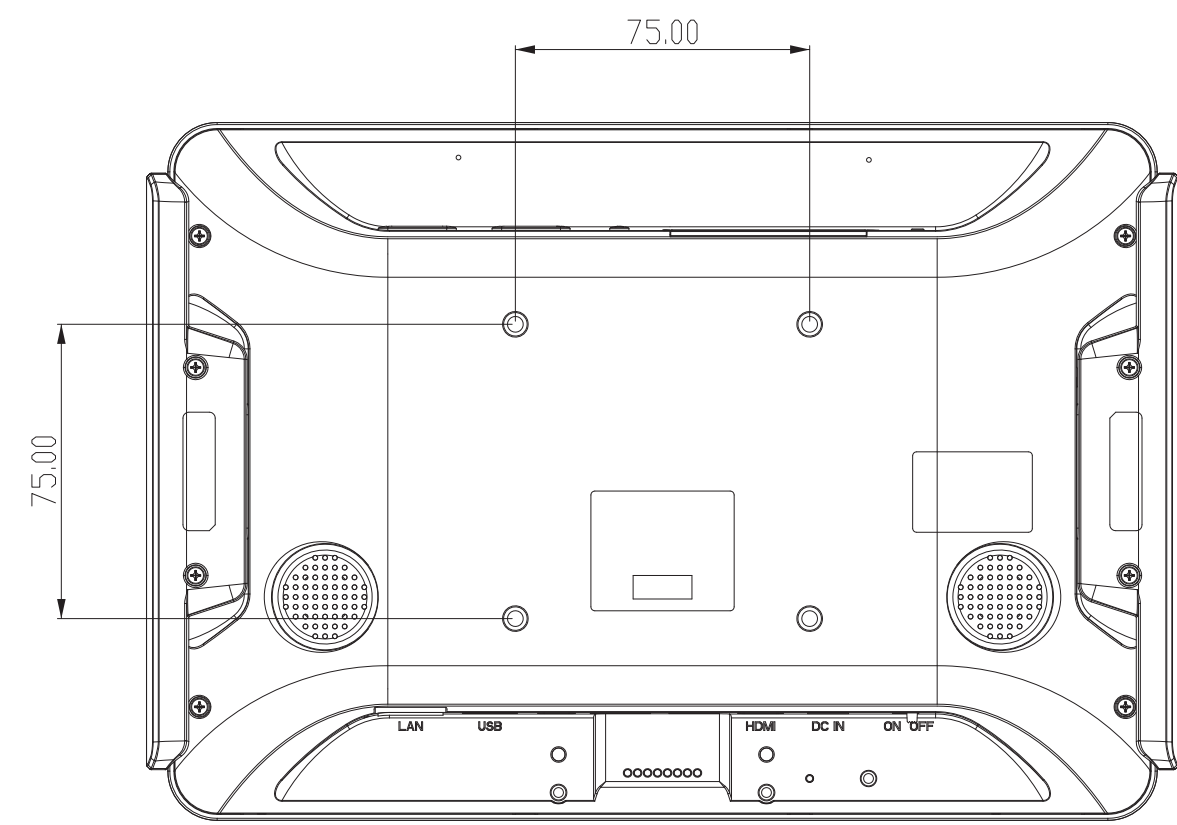
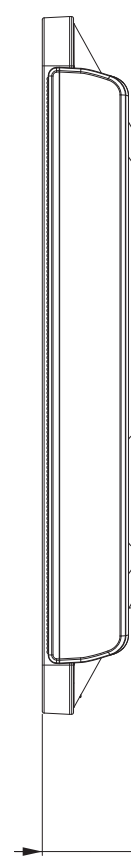
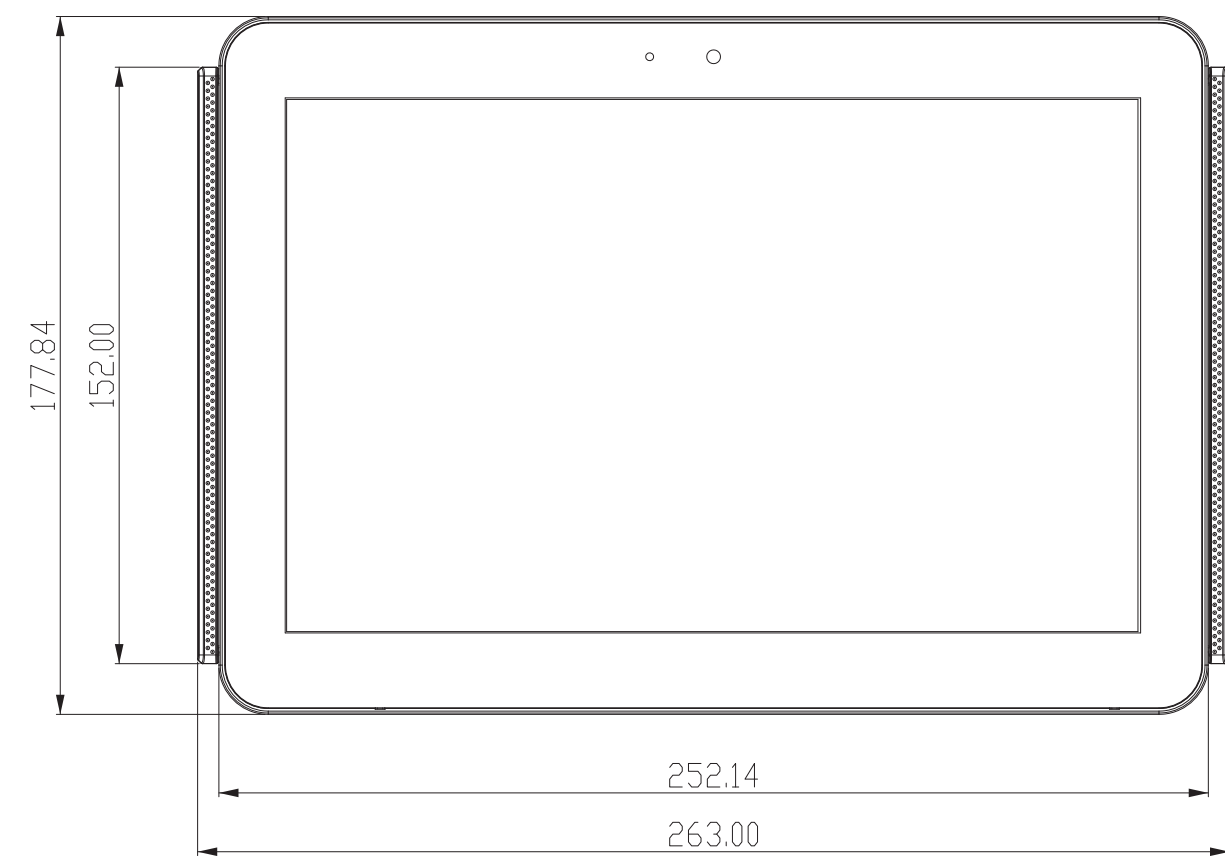
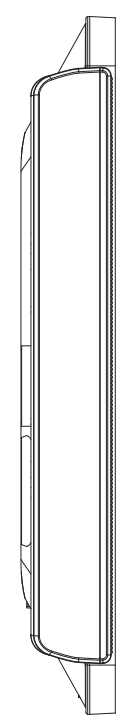
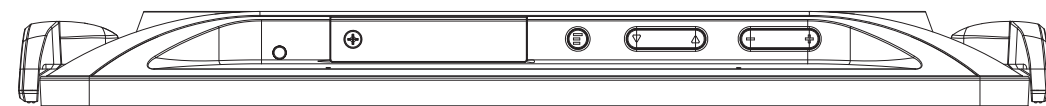


Part Number: 10HPQ

REVISIONS					
BLOCK	VERSION	SYMBOL	DESCRIPTION	REDEVISER	DATE



1.000

Tolerance	A	B	C	Tolerance	A	Date	2021/06/08
Dimension range				Unit	mm	SCALE	1:1
250.X → XXX	± 0.40	± 0.45	± 0.50	Usage	1	PAGE	
200.X → 250	± 0.35	± 0.40	± 0.45	Size	A2	PROJECTION	⊕ ⊖
150.X → 200	± 0.30	± 0.35	± 0.40	Material			
100.X → 150	± 0.25	± 0.30	± 0.35	Treatment			
50.X → 100	± 0.20	± 0.25	± 0.30	DESIGN		CHECKED	
25.X → 50	± 0.15	± 0.20	± 0.25	DRAWING		APPROVED	
10.X → 25	± 0.10	± 0.15	± 0.20				
0 → 10	± 0.05	± 0.10	± 0.15				
ANGLF	±1°	±3°	±5°				



DES	10P-RM W LED BAR
PN	10HPQ
Model	REV A