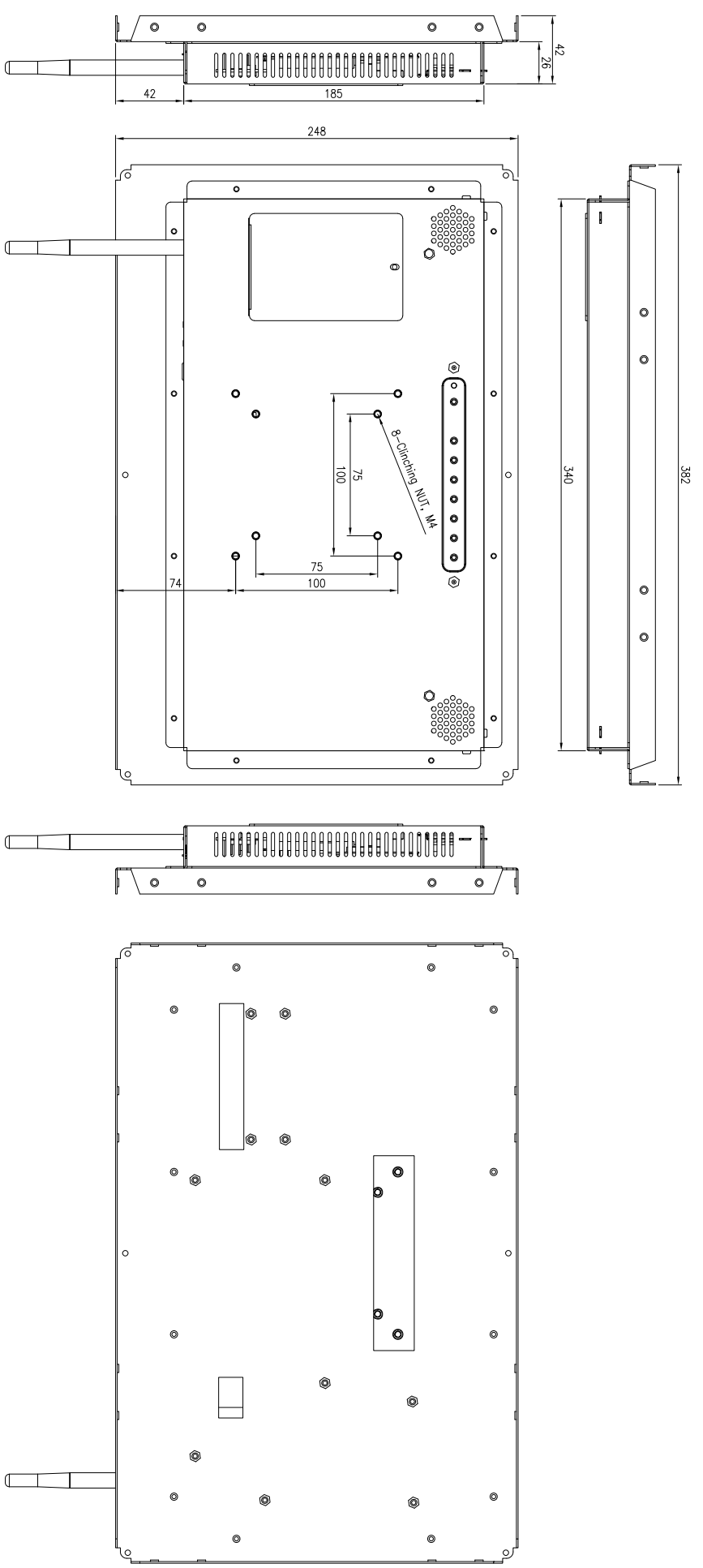


RevNo	Revision note	Date	Signature	Checked
6				



No	Part Name	Description	Qty	etc
Designed by	Checked by	Approved by-date	File name	Date
		TITLE	MBS-15680C-CK	
DRAWING NUMBER		Edition	Sheet	
		Scale	1/1	

