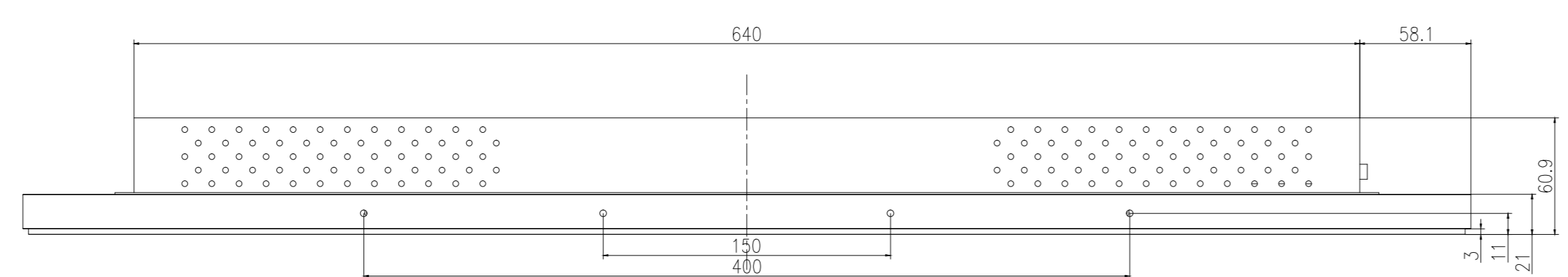
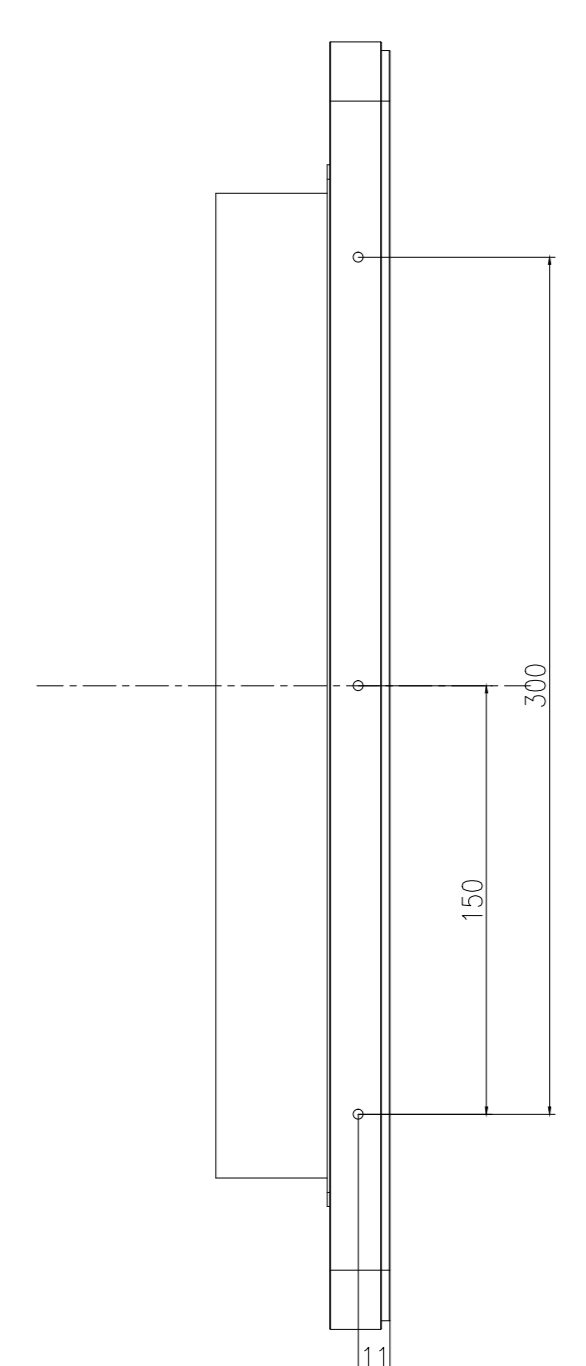


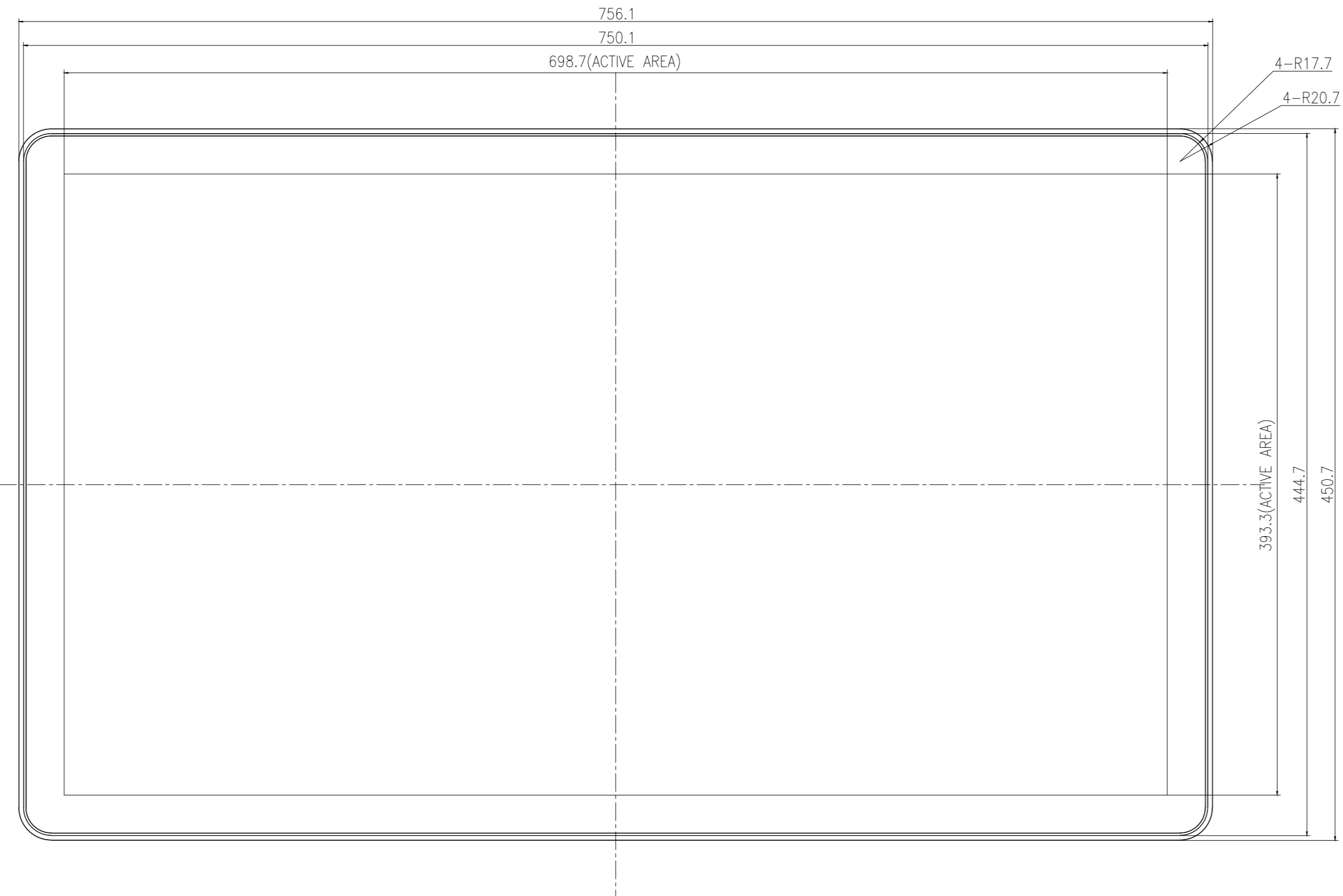
TITLE: M32080-OF



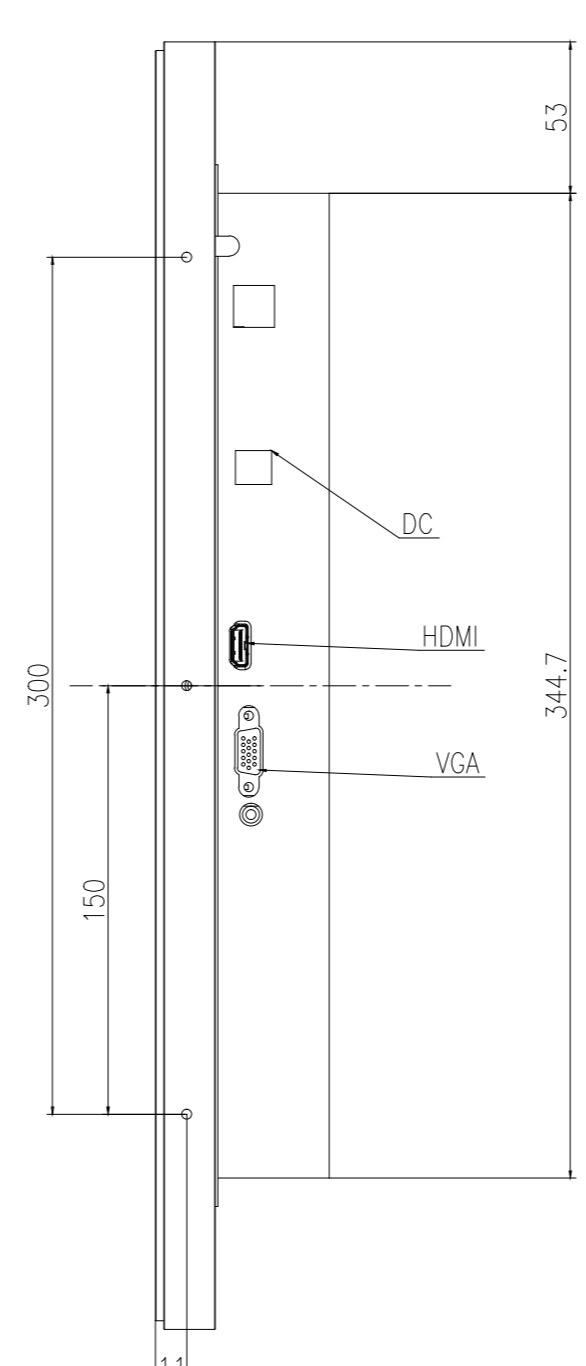
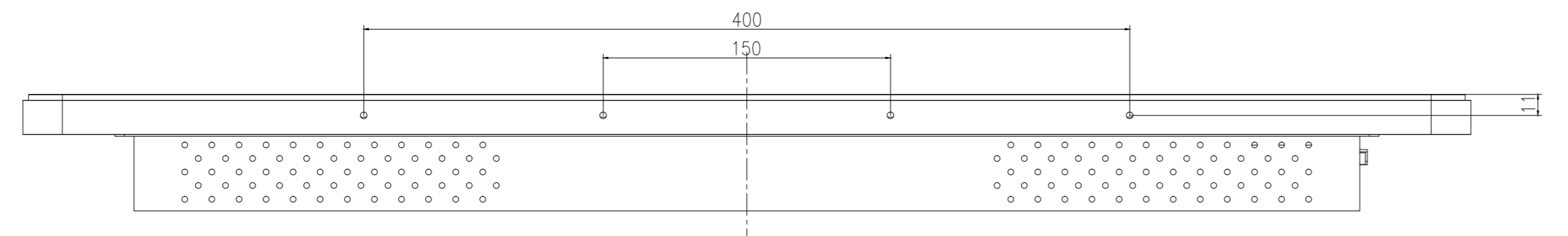
Top View



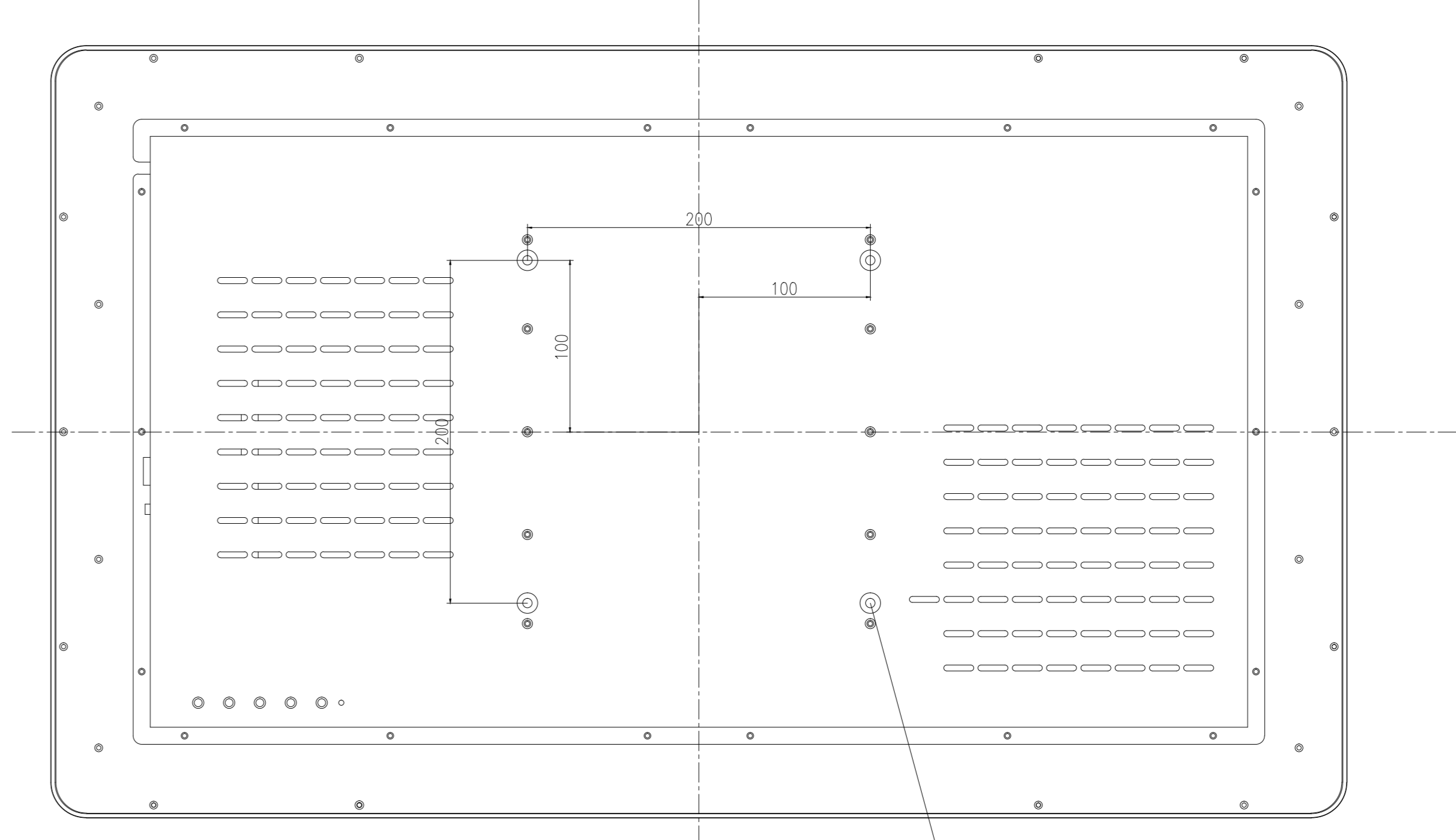
Side View



Bottom View



Side View



Back View

VESA-M6 THREAD

DIMENSIONS ARE IN MILLIMETERS

Tolerance: ±1.0mm	DATE: 2021.02.24
SHEET 1 OF 1	REV: 0.1