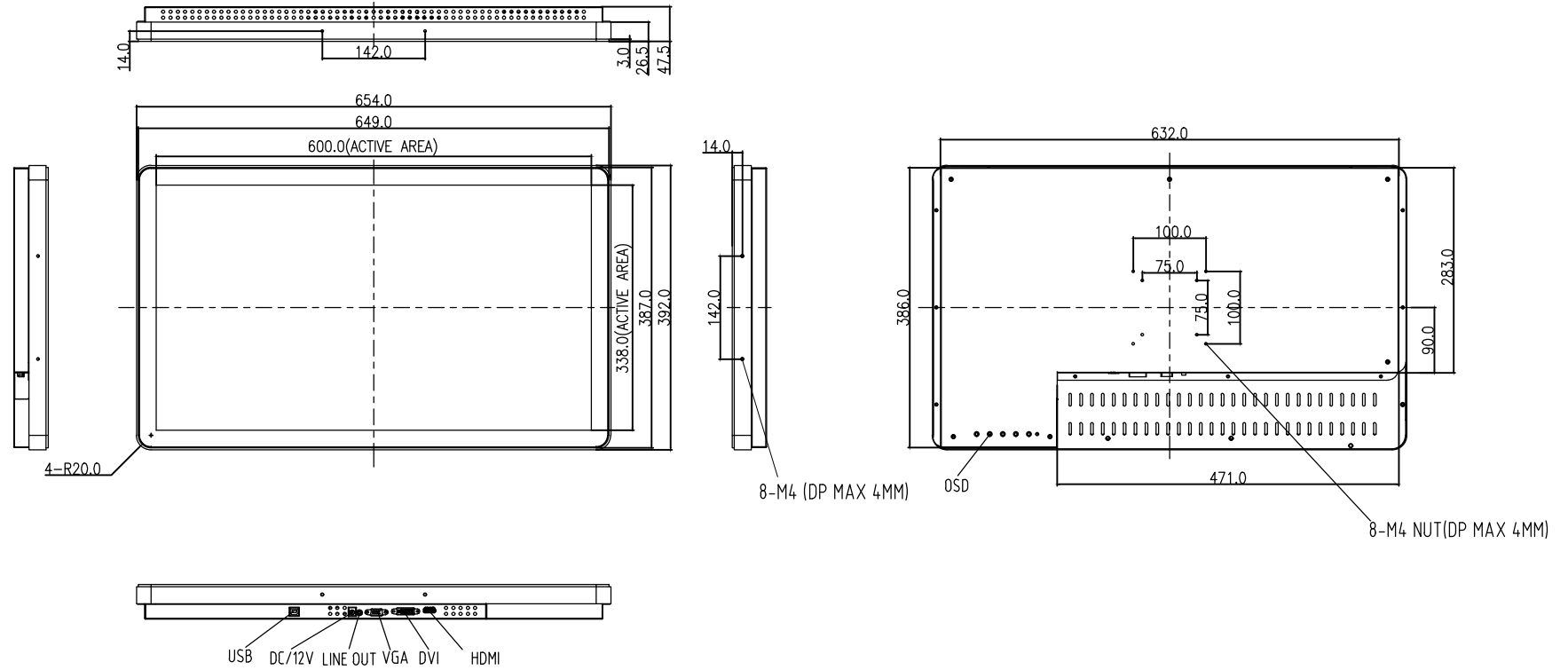



# M27080C-OF 2D Drawing



Note: The version is preliminary, only for reference.  
 The design change please see 

DIMENSIONS ARE IN MILLIMETERS



Tolerance: ±1.0mm	DATE: 2019.8.29
SHEET 1 OF 1	REV: V0.1