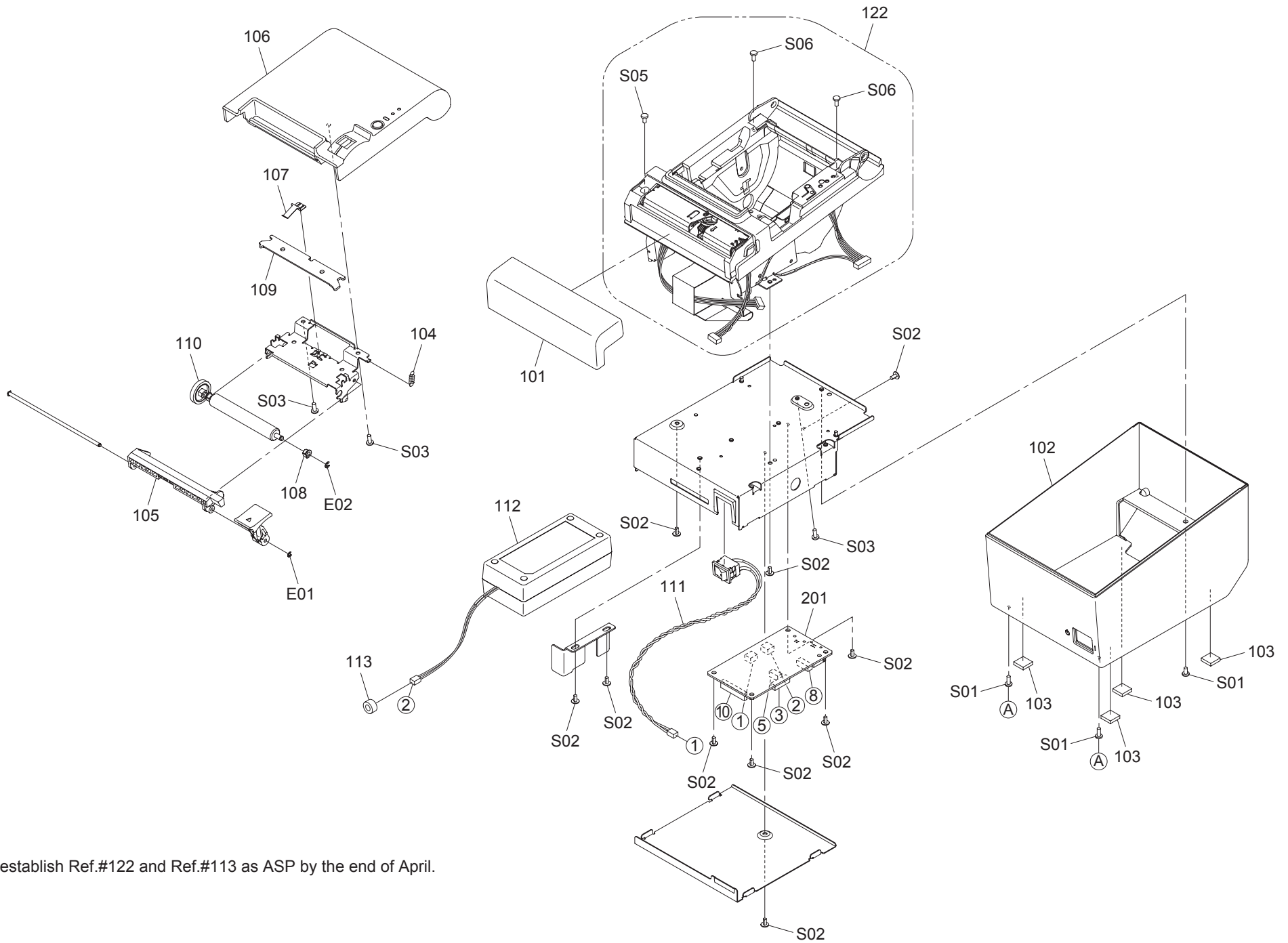
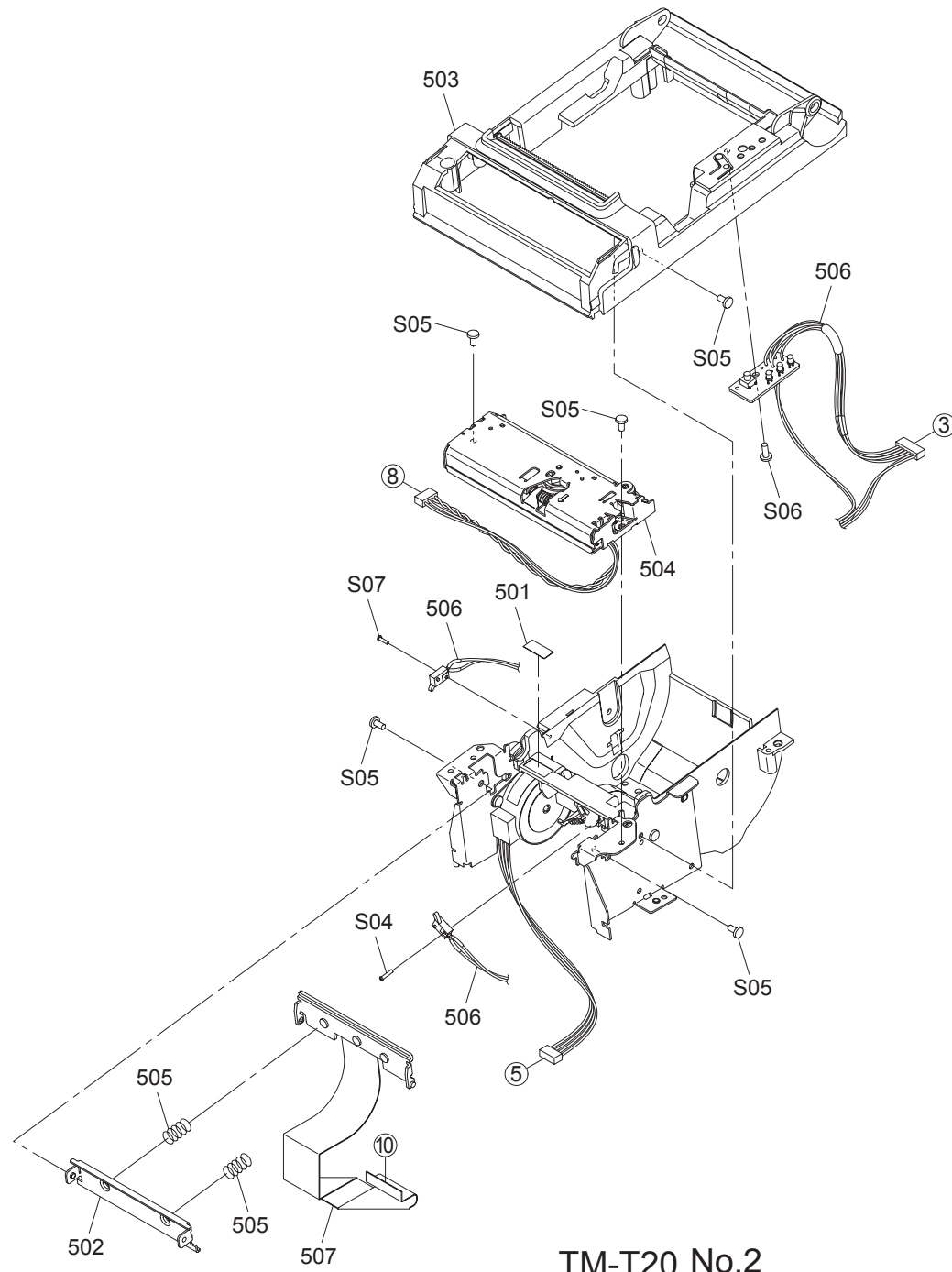


TM-T20 No.1

REV.02



We will establish Ref.#122 and Ref.#113 as ASP by the end of April.



TM-T20 No.2

