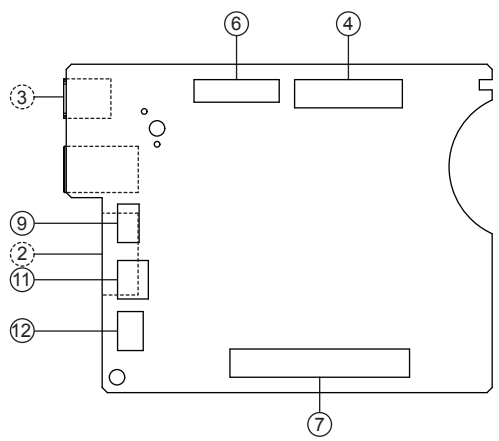
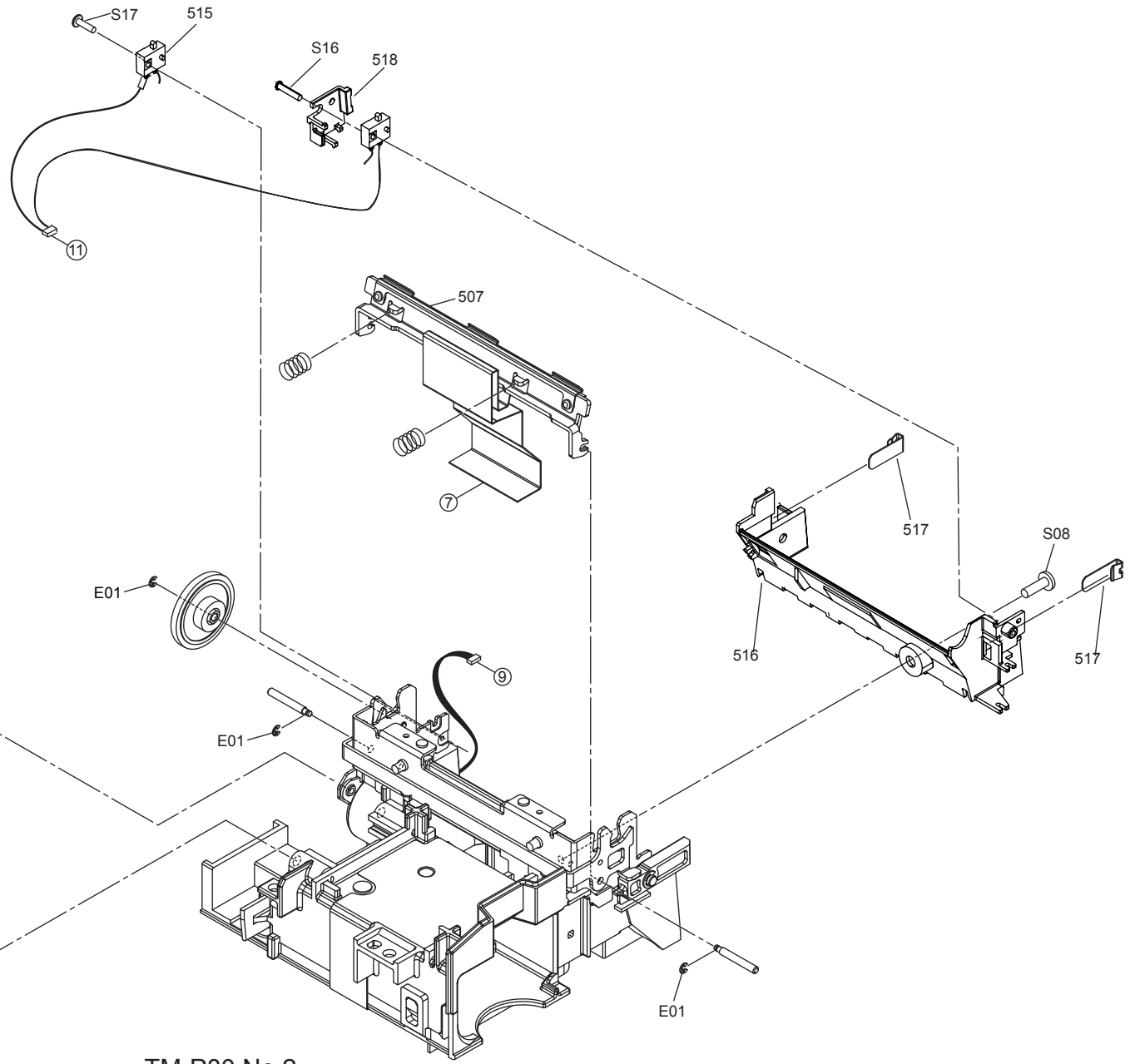


TM-P80 No.1



MAIN CIRCUIT BOARD UNIT,\*\*\*



TM-P80 No.2