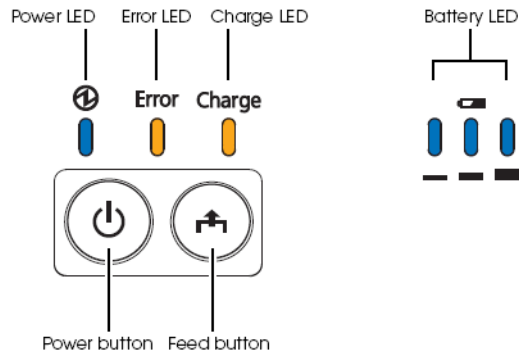
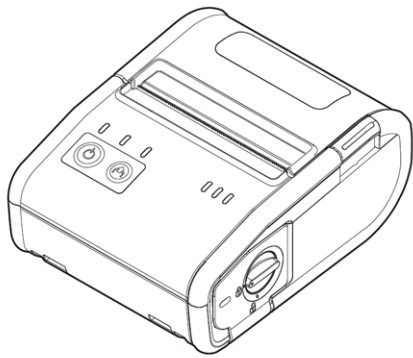


# Mobilink™ P80 & P80 Plus Mobile Receipt Printer Product Information Guide

What's in the Box .....	2
Accessories .....	2
Printer Specifications .....	2
Media .....	2
Reliability .....	3
Electrical .....	3
Safety .....	3
Environmental .....	3
Dimensions .....	3
Control Panel .....	3
Changing the Paper Size .....	4
Loading Paper .....	4
Performing a Self-Test .....	5
Removing a Paper Jam .....	5
Cleaning the Thermal Head .....	5
Additional Information .....	5



## What's in the Box

- Mobilink P80 or Mobilink P80 Plus printer
- User's manual and setup guide
- Small thermal paper roll (for operational testing)
- Battery, model OT-BY80 (with user's manual)
- USB cable saddle
- Belt clip (attached to printer)
- Paper guides (Mobilink P80 Plus only)

**Note:** The illustrations show the Mobilink P80 and apply to both the Mobilink P80 and Mobilink P80 Plus printers unless otherwise noted.

## Accessories

Option	Model	Part number
AC/DC power supply	PS-11	C32C825375
Battery	OT-BY60II	C32C831091
Multi-battery charger	OT-CH60II	C32C825374

## Printer Specifications

### Printing

- Print method: thermal line printing
- Dot density: 203 dpi × 203 dpi  
(dpi = dots per inch [25.4 mm])
- Print width: 2.84" (72.1 mm), 576 dots (48 columns)  
2.69" (68.3 mm), 546 dots (42 columns)
- Characters per line: font A: 48, font B: 64 (48 columns)  
font A: 42, font B: 60 (42 columns)
- Print direction: unidirectional with friction feed
- Print speed: 3.94"/sec. (100 mm/sec.) maximum
- Paper feed speed: approx. 3.94"/sec. (100 mm/sec.)  
(continuous paper feed)
- Character sets: alphanumeric: 95 characters;  
international: 18 sets  
extended graphics: 128 × 43 pages  
(including a user-defined page)

### Interfaces

- Built-in: USB 2.0 Full-speed
- Wireless: Bluetooth® or IEEE 802.11b/g/n (2.4 Ghz), 802.11a/n (5 Ghz), depending on model.

### Media

- Paper type: thermal roll paper
- Paper size: 80 mm (3.15")  
76 mm (3.00") (Mobilink P80 Plus only)
- Max. diameter: 51.0 mm (2.01") outside maximum  
18.0 mm (0.71") outer core minimum
- Specified paper:

Paper type number	Manufacturer
TF50KS-EY	NIPPON Paper Industries Co., Ltd.
PD150R, PD160R, PD190R	Oji Holdings Corporation
P30023, P31023, P35024	Kanzaki Specialty Papers
KT55F20, KT48F20	Koelher Paper Group
AF50KS-E	Jujo Thermal Ltd.
F5041(48), F5041(55)	Mitsubishi HiTec Paper

---

## Reliability

---

Printer mechanism: 10 million lines

Thermal head: 100 million pulses, 50 km

MTBF: 120,000 hours

MCBF: 16 million lines

Autocutter: 500,000 cuts

---

## Electrical

---

Battery: Lithium-ion (part OT-BY60II)

Input voltage: DC 24 V/Max. 1.5 A or  
DC 12 V/Max. 1 A

Charging time: 2.5 hours

---

## Safety

---

Electromagnetic interference:

USA: FCC/ICES-003 Class A

Canada: CAN ICES-3 (A)/NMB-3 (A)

Safety standards: Directive 1999/5/EC

---

## Environmental

---

Operating temperature range:

Temperature: 32 to 113°F (0 to 45°C)  
(except for print quality)

Humidity: 10 to 90% RH (except for paper)

Storage temperature range:

Temperature: -13 to 158°F (-25 to 70°C)  
(except for print quality)

Humidity: 10 to 90% RH (except for paper)

Operating noise: 53 dB

---

## Dimensions

---

### Mobilink P80

Dimensions  
(H × W × D): 2.5 × 4.3 × 5.5 inches  
(64 × 110 × 140 mm)

Weight: approx. 1.1 lb (500 g)  
(including battery and belt clip, excluding  
roll paper)

### Mobilink P80 Plus

Dimensions  
(H × W × D): 2.7 × 4.3 × 5.5 inches  
(64 × 110 × 140 mm)


Weight: approx. 1.4 lb (640 g)  
(including battery, excluding belt clip and  
roll paper)

---

## Control Panel

---

### LEDs

 (Power)

**On** when power is on.

**Flashing** when printer is powering off; when the Feed button is pressed or standing by in software set up mode; and when a wireless LAN printer is activated.

*Error*

**On** when the printer is offline (paper out, power-on initialization, paper cover open, battery charge at “S” level).

**Flashing** if there is an error. Possible causes include:

- thermal head temperature too high
- roll paper cover opened during printing
- memory R/W check abnormality
- Extremely high or low power supply voltage
- CPU executed an incorrect address
- wireless communication error
- internal circuit connection abnormality

Turn the printer off for a few seconds, then turn the printer back on. If the LED is still blinking, contact a dealer or qualified service person.

*Charge*

**On** when the battery is being charged.

**Off** when the battery is fully charged.

**Flashing** when the battery is charging abnormally.

---

## Battery

Printer condition	Battery LED	Error LED	Battery charge status
Power on	3 LEDs on	Off	Level H
	2 LEDs on	Off	Level M
Power on and buzzer sounds	1 LED on	Off	Level L*
	1 LED flashing	On	Level S**
	3 LEDs off	On	Level E***

\* You can continue printing, but replacing or charging the battery is recommended.

\*\* Replace or charge the battery.

\*\*\* Replace or charge the battery. The printer is unable to print.

## Buttons

### Power

Press this button to turn the power on or off. To turn the power off, hold the button for more than two seconds.

### Feed

Press this button to advance the paper one line. Hold the button down to advance the paper.

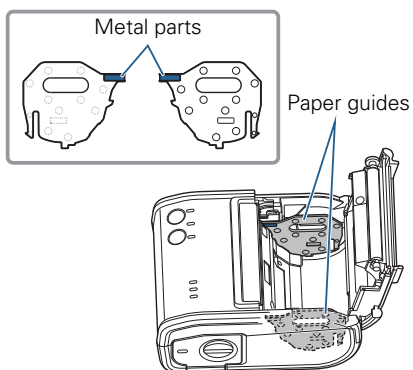
## Changing the Paper Size

**Note:** The paper size can only be changed on the Mobilink P80 Plus.

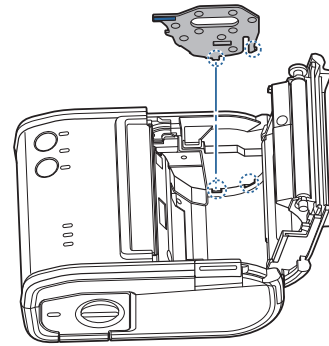
To change the paper size from 3.15 inches (80 mm) to 3 inches (76 mm), do the following:

1. Turn the printer off.
2. Open the roll paper cover and remove any paper.

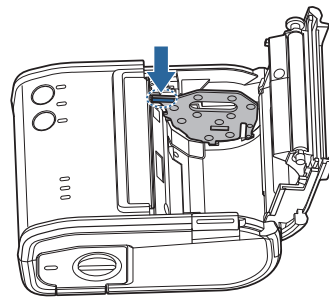
**Note:** When installing the paper guides, make sure that the metal part of each guide is facing towards the inside of the printer.



3. Align the two tabs on the paper guide with the slots in the bottom of the roll paper holder.



4. Firmly insert the metal part of the paper guide into the slot at the front of the roll paper holder.



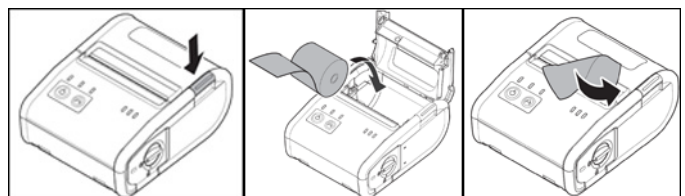
5. Repeat the above instructions for the other paper guide, then load your paper and close the roll paper cover.

## Loading Paper

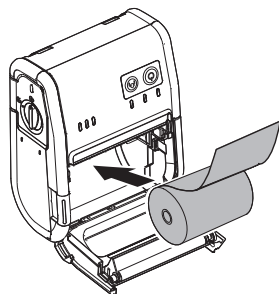
**Caution:** To avoid injury, do not touch any part of the printer other than the roll paper when the cover is open.

**Note:** Do not open the paper roll cover when the printer is printing or feeding paper. Only use paper that meets specifications, and do not use rolls that have the paper glued onto the core.

1. Open the roll paper cover by pressing down on the roll paper cover open button.
2. Remove the used roll paper core, if there is one, and insert the roll paper in the direction shown below.



3. If the printer is attached to a belt using the belt clip, insert the roll paper as shown below.



4. Pull out some paper, and close the roll paper cover.
5. Tear off the extra paper using the manual cutter.

---

## Performing a Self-Test

---

Follow the steps below to perform a self-test on roll paper:

1. Make sure the printer is off and the roll paper cover is shut.
2. Press and hold the **Feed** button and turn on the printer. The printer prints its status and the **Paper** LED begins flashing.
3. To continue the self-test, press the **Feed** button for less than one second.

The self test is complete when **\*\*\* completed \*\*\*** is printed.

---

## Removing a Paper Jam

---

**Caution:** Do not touch the thermal head, because it can be very hot after printing. Let it cool before you remove the jammed paper.

**Note:** (Mobilink P80 Plus only) If the roll paper cover will not open, the autocutter blade may be locked. If you can see the autocutter blade through the paper feed slot, the blade is locked. See your *TM-P80 User Manual* for instructions on unlocking the autocutter blade.

1. Turn off the printer.
2. Open the roll paper cover by pressing down on the roll paper cover open button.
3. Remove the jammed paper.
4. Close the roll paper cover.

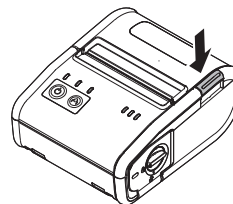
---

## Cleaning the Thermal Head

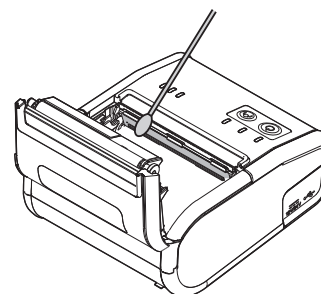
---

**Caution:** Do not touch the thermal head, because it can be very hot after printing. Let it cool before you begin cleaning.

1. Turn off the printer.
2. Open the roll paper cover by pressing down on the roll paper cover open button.



3. Clean the thermal elements of the thermal head with a cotton swab moistened with an alcohol solvent (ethanol or IPA).



4. Close the roll paper cover.

---

## Additional Information

---

The Epson support site has more information about the Mobilink P80 and Mobilink P80 Plus:

<http://www.epson.com/cgi-bin/Store/jsp/pos/index.do?productpk=691>

EPSON is a registered trademark and EPSON Exceed Your Vision is a registered logomark of Seiko Epson Corporation.

Mobilink is a trademark of Epson America, Inc.

General Notice: Other product names used herein are for identification purposes only and may be trademarks of their respective owners. Epson disclaims any and all rights in those marks.

This information is subject to change without notice.

© 2015 Epson America, Inc., 7/15

CPD-40234R1